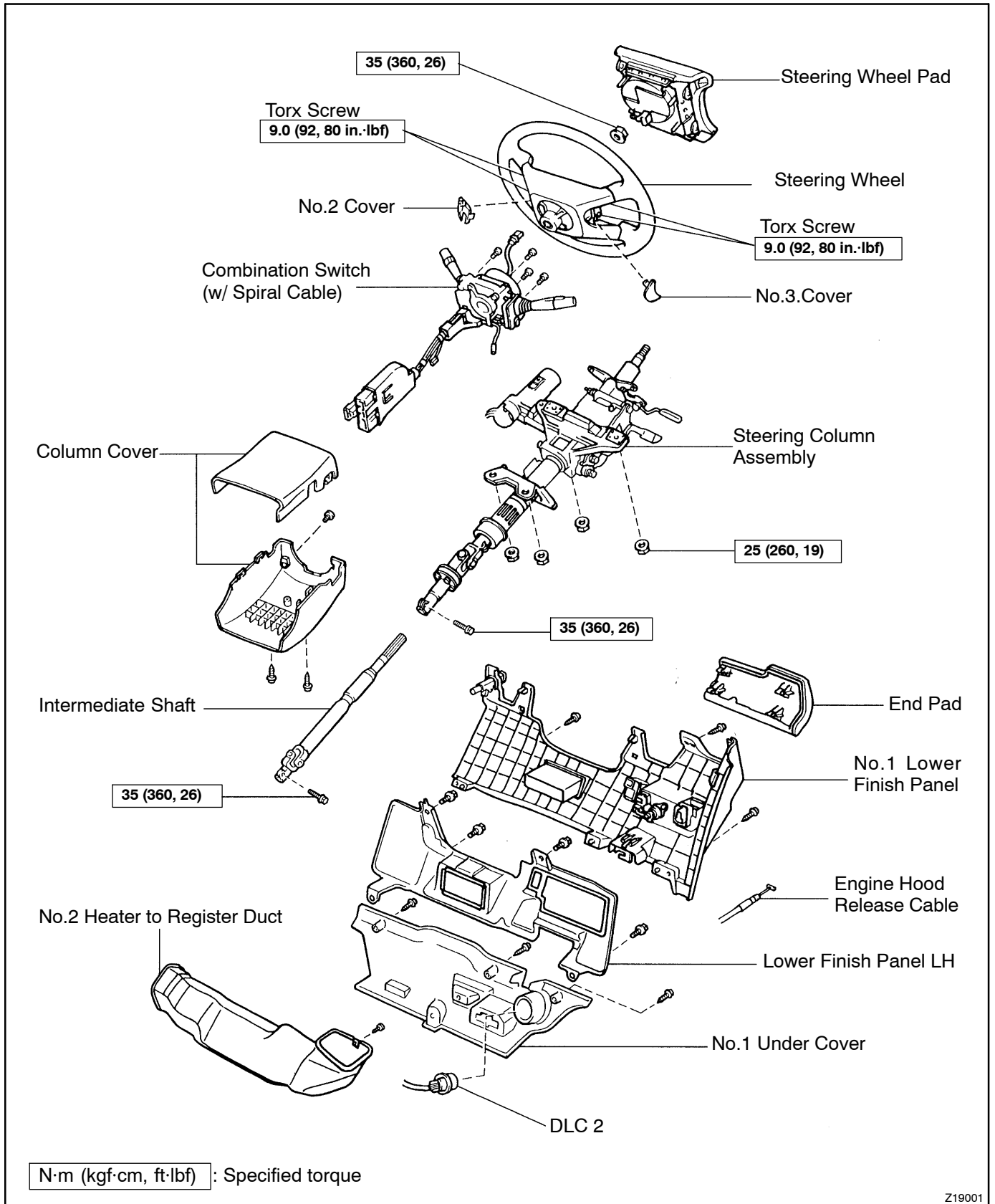
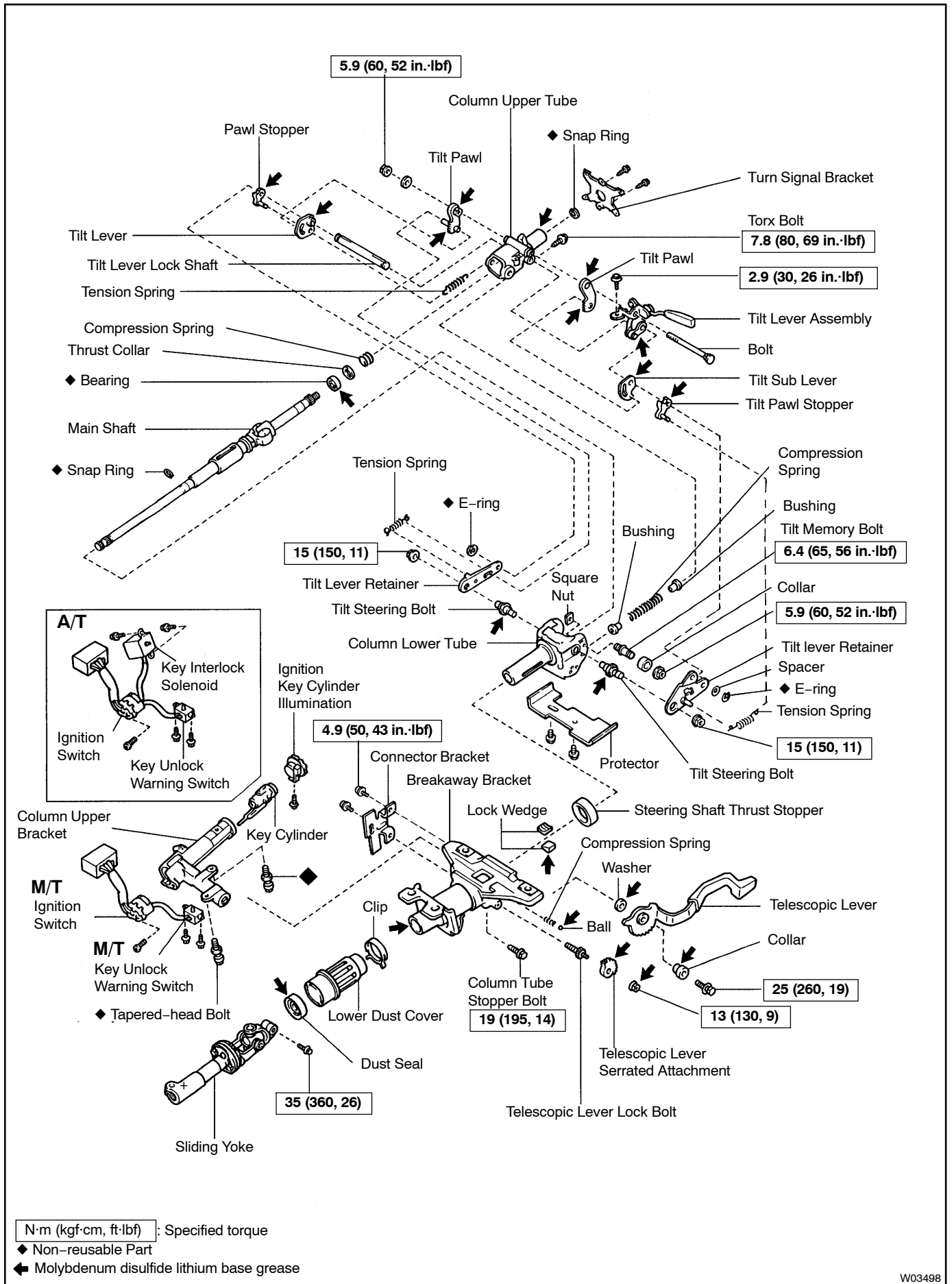


MANUAL TILT AND MANUAL TELESCOPIC STEERING COLUMN COMPONENTS

SR0GR-03



Z19001



W03498