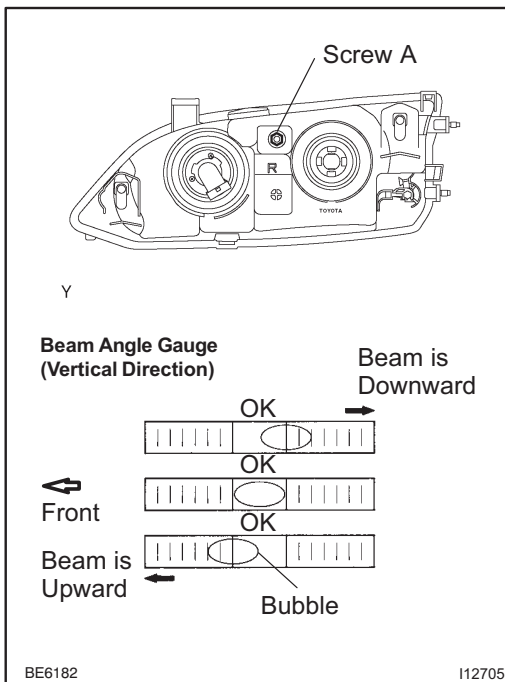


## ADJUSTMENT

### 1. Halogen type:

#### ADJUST HEADLIGHT AIM

- (a) Place the vehicle in the following conditions.
- The area around the headlight is not deformed.
  - The vehicle is parked on a level surface.
  - Tire inflation pressure is the specified value.
  - A driver is in the driver's seat and the vehicle is in a state ready for driving (with a tank full).
  - The vehicle has been bounced several times.



- (b) Adjust the headlight aim in vertical direction.  
If the bubble is outside the acceptable range of the beam angle gauge, adjust it using adjusting screw A.

**2. Halogen type:  
ADJUST HEADLIGHT AIM (Reference)**

**HINT:**

Adjusting method for the headlight aiming by not using beam angle gauges is shown below.

- (a) Inspect the headlight aim.
  - (1) Place the vehicle in the following conditions.
    - The area around the headlight is not deformed.
    - The vehicle is parked on a level surface.
    - Tire inflation pressure is the specified value.
    - A driver is in the driver's seat and the vehicle is in a state ready for driving (with a tank full).
    - The vehicle has been bounced several times.
  - (2) Prepare a thick white paper.
  - (3) Stand the paper perpendicular to the ground at the position 9.84 ft away from the headlights.
  - (4) Ensure that the center line of the vehicle and the paper face forms a 90-degree angle as shown in the illustration.
  - (5) Draw a horizontal line (H line) on the paper, showing where the headlights should strike.
  - (6) Draw a vertical line (V line) to where the center line of the vehicle is to be.
  - (7) Draw 2 vertical lines to where the both headlights should strike (V RH and V LH lines).
  - (8) Draw a horizontal line (by connecting the both low beam center marks) to where the headlights should strike (H RH and H LH lines).

**HINT:**

The H RH and H LH line is  $0.4^\circ$  below the horizontal line (H line) of the light axis.

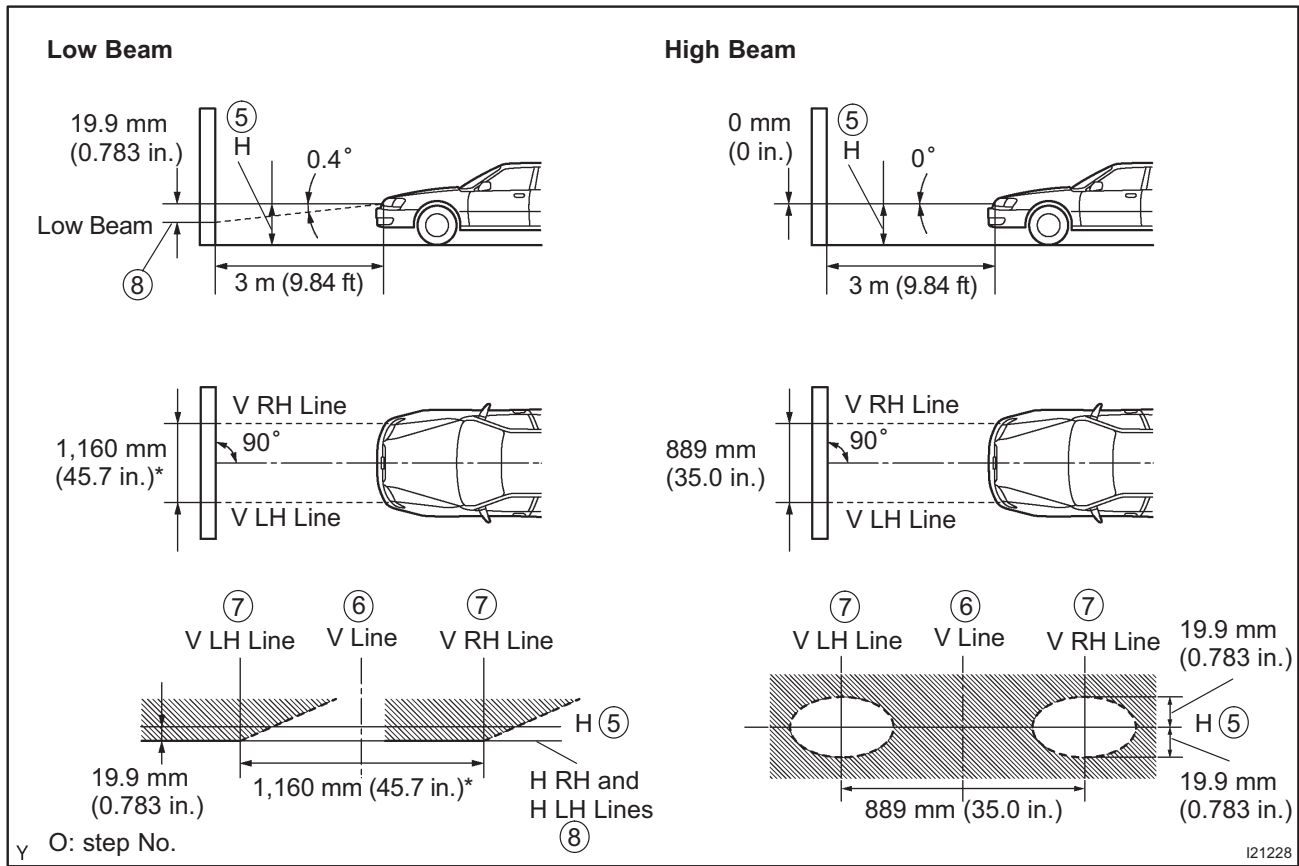
- (9) Take appropriate measures to prevent influence of other lights.

**NOTICE:**

**Disconnect connectors of the other lights so that the aiming adjustment will not be affected.**

**When connecting the connectors again, take care not to make the aiming out of adjustment.**

- (10) Start the engine.
- (11) Turn the headlights ON.
- (12) Check that the headlights properly strike the position shown in the illustration.
- (13) If not, adjust the lights in the vertical direction.



HINT:

- As shown in the illustration, adjust each aim of the RH and LH lights.
- The "High Beam" values in the illustration are reference values. The "\*" marked values in the illustration are reference values.

(b) When adjusting it in the vertical direction:  
Using adjusting screw A, adjust the headlight aim to within the specified range.

