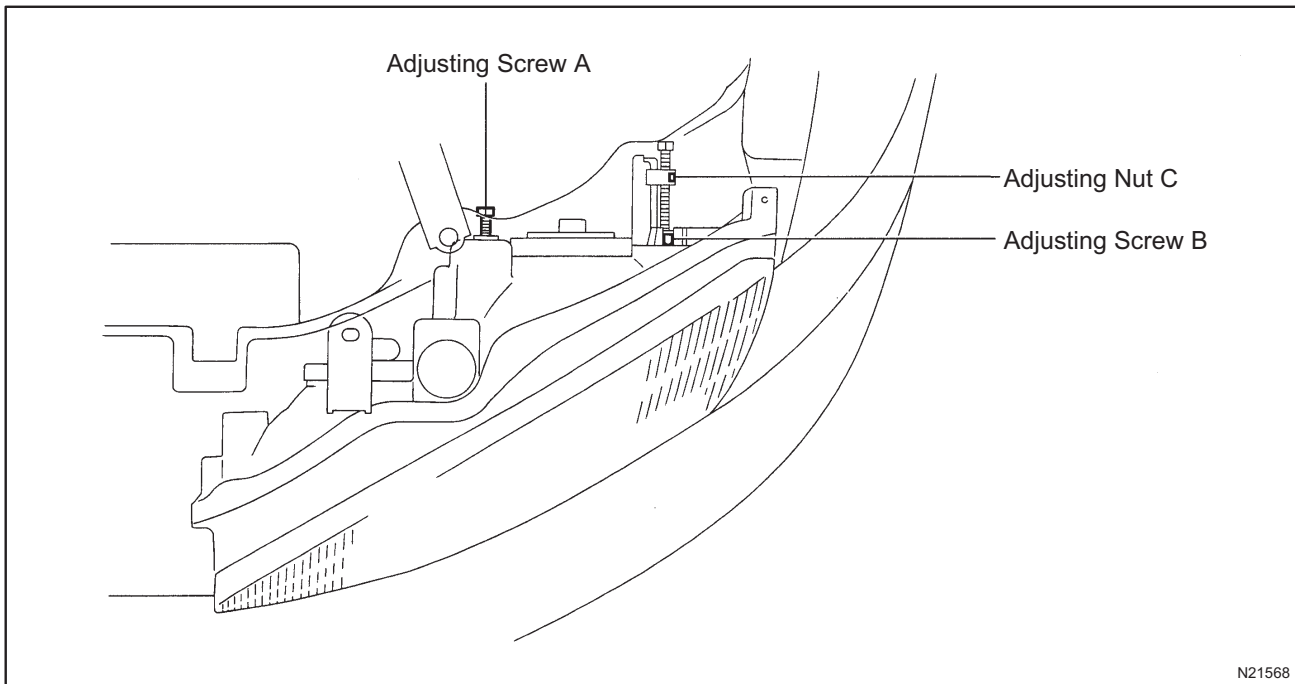


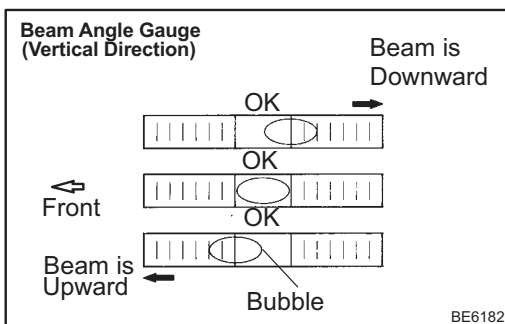
ADJUSTMENT



1. ADJUSTING HEADLIGHT AIM ONLY

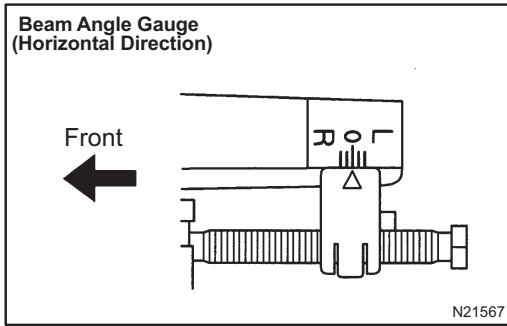
(a) Put the vehicle in below conditions.

- Make sure the body around the headlight is not deformed.
- Park the vehicle on a level spot.
- The driver gets into the driver's seat and puts the vehicle in a state ready for driving (with a full tank).
- Bounce the vehicle several times.



(b) Adjust the headlight in vertical direction.

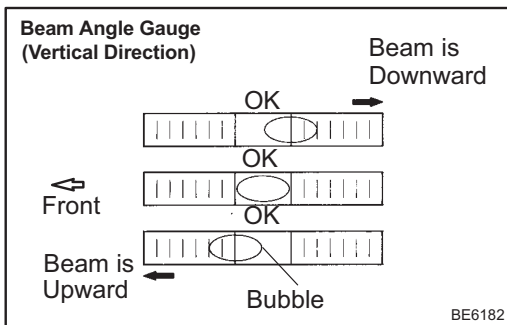
If the bubble is outside the acceptable range of the beam angle gauge, adjust it using adjusting screw A.



- (c) Adjust the headlight in horizontal direction.
If the "0" moves away from the mark beyond the acceptable range, adjust the "0" back to the mark using adjusting screw B.

2. REPLACING HEADLIGHT

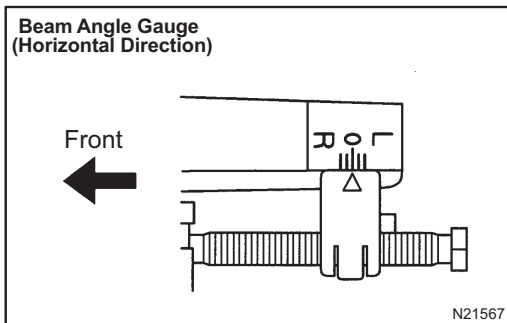
- (a) Replace the headlight.
(b) Put the vehicle in below conditions.
- Make sure the body around the headlight is not deformed.
 - Park the vehicle on a level spot.
 - The driver gets into the driver's seat and puts the vehicle in a state ready for driving (with a full tank).
 - Bounce the vehicle several times.



- (c) Adjust the headlight in vertical direction.
- (1) Using adjusting screw A, adjust the headlight aim to within the specifications.
 - (2) Make sure that the gauge bubble is within the acceptable range.

HINT:

If the gauge bubble is outside the acceptable range, check that the vehicle is parked on a level place.
Readjust the headlight aim after parking the vehicle on a level place.



- (d) Adjust the headlight in horizontal direction.
- (1) Using adjusting screw B, adjust the headlight aim to within the specifications.
 - (2) Using adjusting nut C, adjust the "0" back to the mark.

3. ADJUST SPIRAL CABLE (See page SR-16)