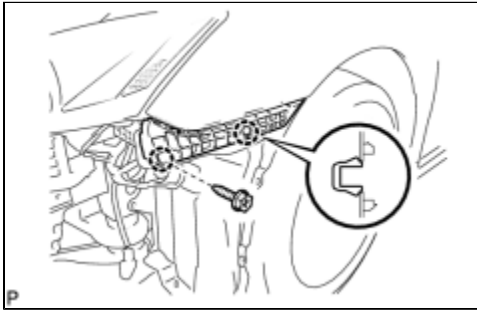


Last Modified: 7-13-2007		1.6 A
Service Category: Vehicle Exterior	Section: Exterior Panels/Trim	
Model Year: 2008	Model: ES350	Doc ID: RM000002DED002X
Title: EXTERIOR: FRONT BUMPER: REASSEMBLY (2008 ES350)		

REASSEMBLY

1. INSTALL FRONT BUMPER STAY LH

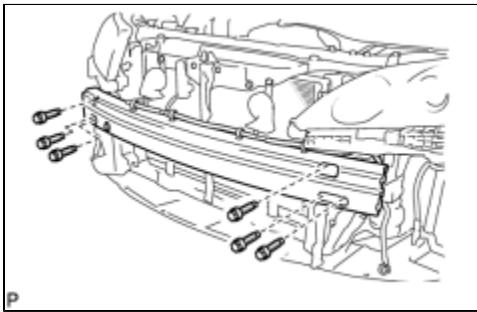


(a) Engage the 2 claws and install the front bumper stay LH.

(b) Install the screw.

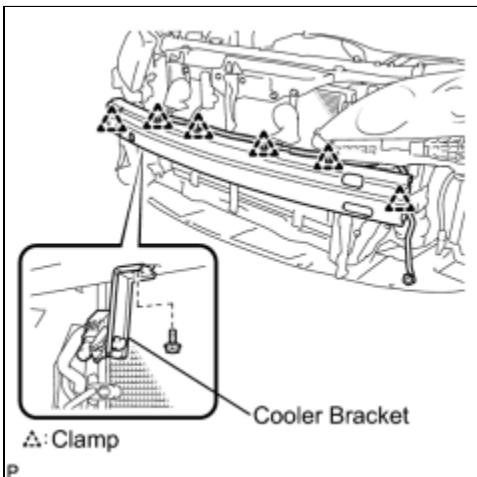
2. INSTALL FRONT BUMPER STAY RH

3. INSTALL FRONT BUMPER REINFORCEMENT



(a) Install the front bumper reinforcement with the 6 bolts.

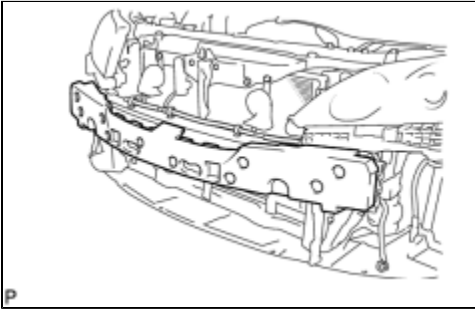
Torque: 72 N·m (734 kgf·cm, 53 ft·lbf)



(b) Install the cooler bracket with the bolt.

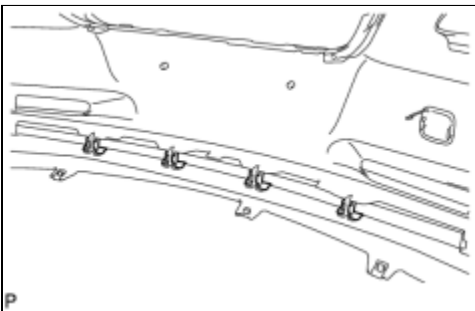
(c) Engage each clamp.

4. INSTALL FRONT BUMPER ENERGY ABSORBER



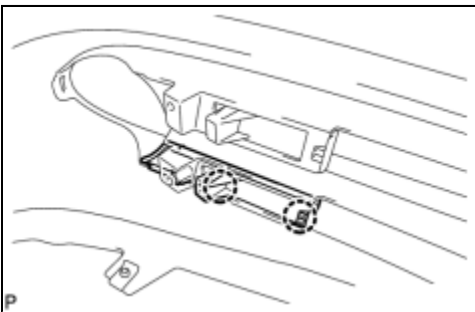
(a) Install the front bumper energy absorber to the front bumper reinforcement.

5. INSTALL NO. 3 RADIATOR GRILLE GARNISH



(a) Install the 4 No. 3 radiator grille garnishes.

6. INSTALL NO. 2 RADIATOR GRILLE GARNISH

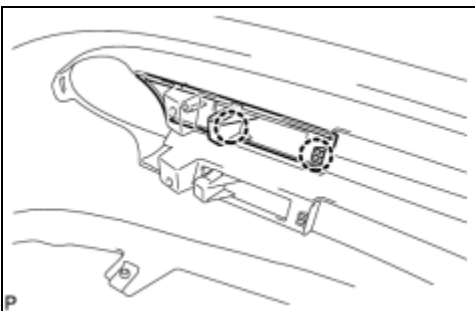


(a) Engage the 2 claws and install the No. 2 radiator grille garnish.

HINT:

Use the same procedures for the RH side and LH side.

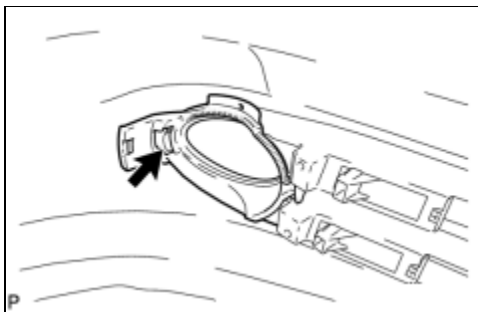
7. INSTALL RADIATOR GRILLE GARNISH



(a) Engage the 2 claws and install the radiator grille garnish.

HINT:

Use the same procedures for the RH side and LH side.

8. INSTALL FOG LIGHT BRACKET LH

(a) Engage the claw and install the fog light bracket LH.

9. INSTALL FOG LIGHT BRACKET RH**10. INSTALL FOG LIGHT ASSEMBLY LH**

INFO

11. INSTALL FOG LIGHT ASSEMBLY RH**12. INSTALL RADIATOR GRILLE EMBLEM (w/o Dynamic Radar Cruise Control System)****HINT:**

When installing the emblem, heat the radiator grille and emblem using a heat light.

Heating temperature:

ITEM	TEMPERATURE
Radiator grille	40 to 60°C (104 to 140°F)
Emblem	20 to 30°C (68 to 86°F)

NOTICE:

Do not heat the radiator grille and emblem excessively.

(a) Clean the radiator grille surface.

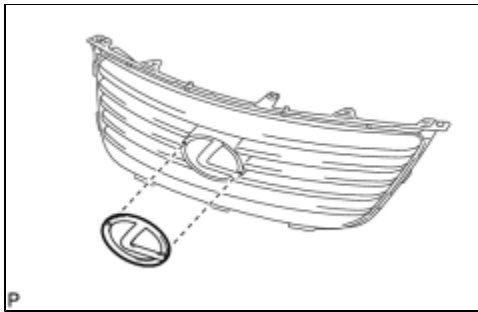
- (1) Using a heat light, heat the radiator grille surface.
- (2) Remove the double-sided tape from the radiator grille.
- (3) Wipe off any tape adhesive residue with cleaner.

(b) Clean the radiator grille emblem. (If reusing the radiator grille emblem)

- (1) Using a heat light, heat the radiator grille emblem.
- (2) Remove the double-sided tape from the radiator grille emblem.
- (3) Wipe off any tape adhesive residue with cleaner.
- (4) Apply new double-sided tape to the radiator grille emblem.

(c) Install the radiator grille emblem.

- (1) Using a heat light, heat the radiator grille and radiator grille emblem.
- (2) Remove the release paper from the radiator grille emblem.

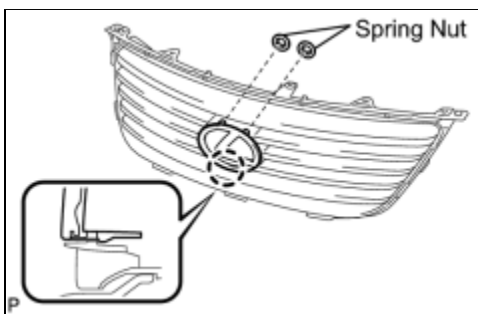


HINT:

After removing the release paper, keep the exposed adhesive free from foreign matter.

- (3) Install the radiator grille emblem.

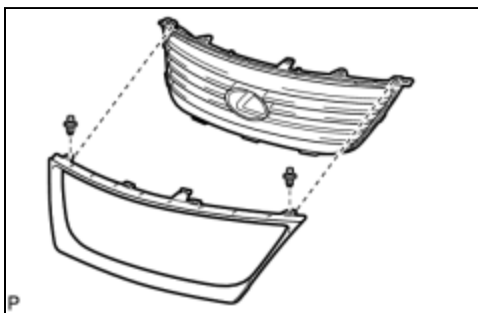
13. INSTALL RADIATOR GRILLE EMBLEM (w/ Dynamic Radar Cruise Control System)



- (a) Engage the claw and install the radiator grille emblem.

- (b) Install the 2 spring nuts.

14. INSTALL RADIATOR GRILLE MOULDING



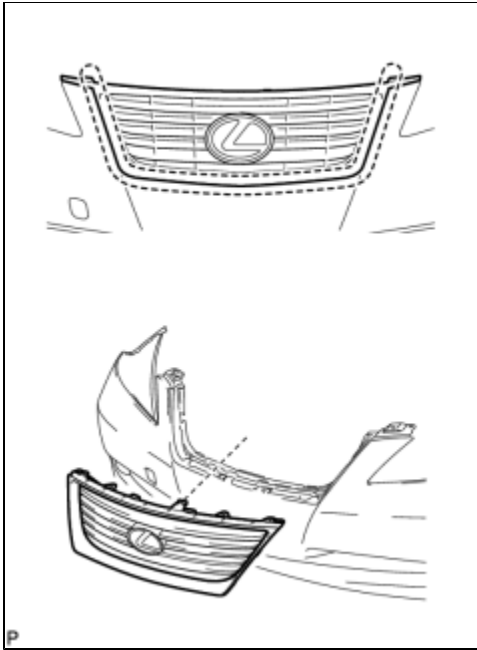
- (a) Engage each claw and install the radiator grille moulding.

- (b) Install the 2 clips.

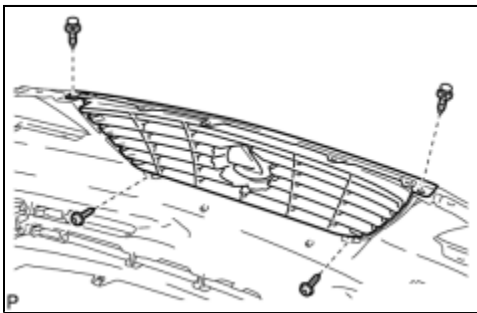
15. INSTALL RADIATOR GRILLE

- (a) Engage each claw and install the radiator grille and radiator grille

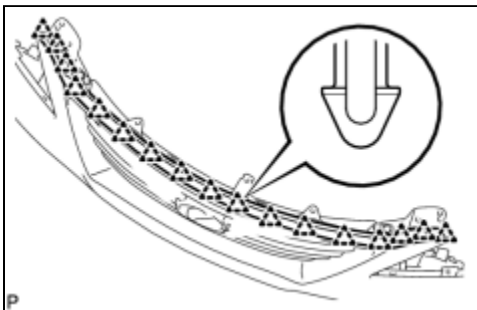
moulding.



(b) Install the 2 screws and 2 clips.



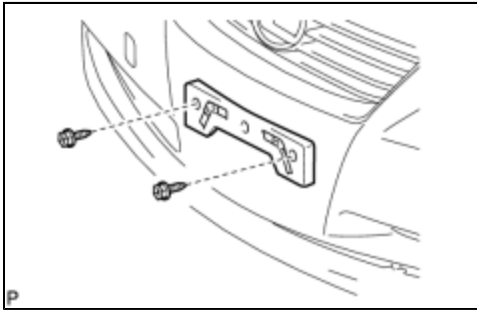
16. INSTALL RADIATOR GRILLE SEAL



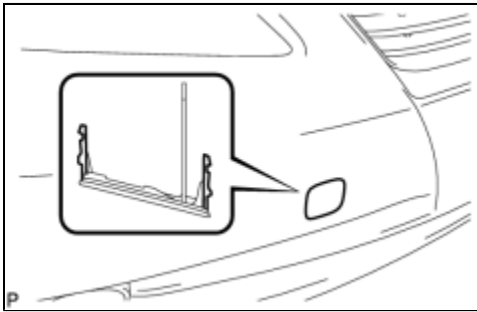
(a) Engage the 17 clips and install the radiator grille seal.

17. INSTALL FRONT BUMPER EXTENSION MOUNTING BRACKET

(a) Install the front bumper extension mounting bracket with the 2 screws.



18. INSTALL FRONT BUMPER HOLE COVER



(a) Engage the 2 claws and remove the front bumper hole cover.

19. INSTALL NO. 1 ULTRASONIC SENSOR RETAINER (w/ Intuitive Parking Assist System)

[INFO](#)

20. INSTALL NO. 1 ULTRASONIC SENSOR (w/ Intuitive Parking Assist System)

[INFO](#)

