

Last Modified: 7-13-2007		1.7 A
Service Category: Vehicle Interior	Section: Interior Panels/Trim	
Model Year: 2008	Model: ES350	Doc ID: RM000002DME002X
Title: INSTRUMENT PANEL: INSTRUMENT PANEL SAFETY PAD: REMOVAL (2008 ES350)		

REMOVAL

1. PRECAUTION

INFO

2. ALIGN FRONT WHEELS FACING STRAIGHT AHEAD

3. DISCONNECT CABLE FROM NEGATIVE BATTERY TERMINAL

CAUTION:

Wait for 90 seconds after disconnecting the cable to prevent airbag deployment INFO.

4. REMOVE LOWER NO. 3 STEERING WHEEL COVER INFO

5. REMOVE LOWER NO. 2 STEERING WHEEL COVER INFO

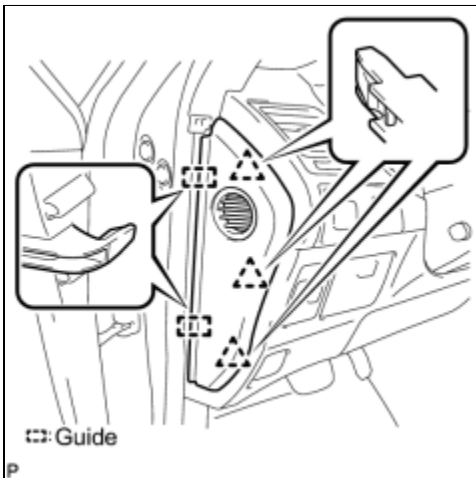
6. REMOVE STEERING PAD INFO

7. REMOVE STEERING WHEEL ASSEMBLY INFO

8. REMOVE FRONT DOOR SCUFF PLATE LH INFO

9. REMOVE FRONT DOOR OPENING TRIM COVER LH INFO

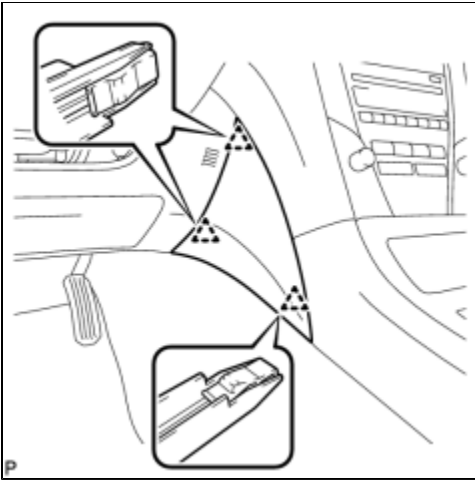
10. REMOVE SIDE INSTRUMENT PANEL LH



(a) Disengage the 3 clips.

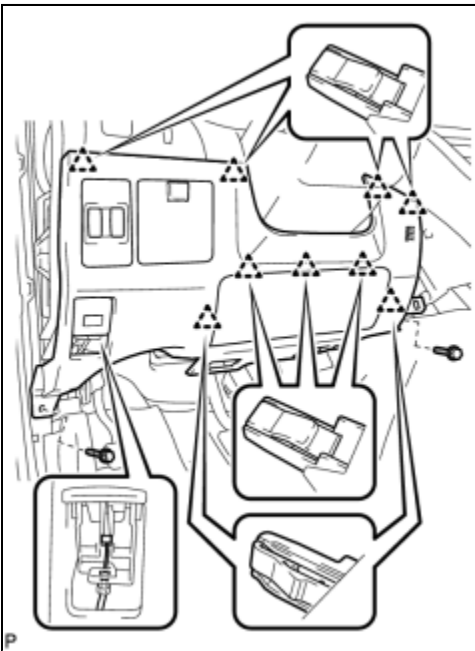
(b) Disengage the 2 guides and remove the side instrument panel LH.

11. REMOVE INSTRUMENT PANEL FINISH PANEL END LH



(a) Disengage the 3 clips and remove the instrument panel finish panel end LH.

12. REMOVE LOWER INSTRUMENT PANEL SUB-ASSEMBLY



(a) Remove the 2 bolts <A>.

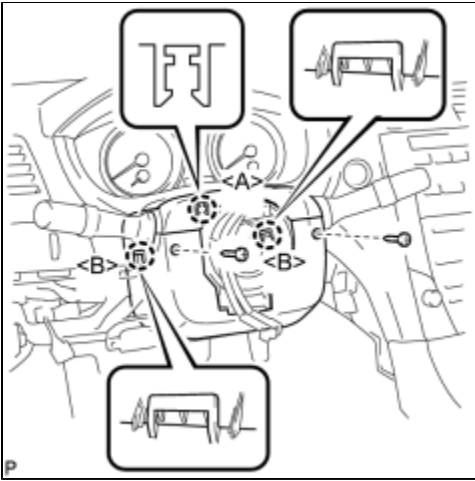
(b) Disconnect the hood lock control cable assembly.

(c) Disengage the 9 clips.

(d) Disconnect each connector and remove the lower instrument panel sub-assembly.

13. REMOVE STEERING COLUMN COVER

(a) Remove the 2 screws <J>.



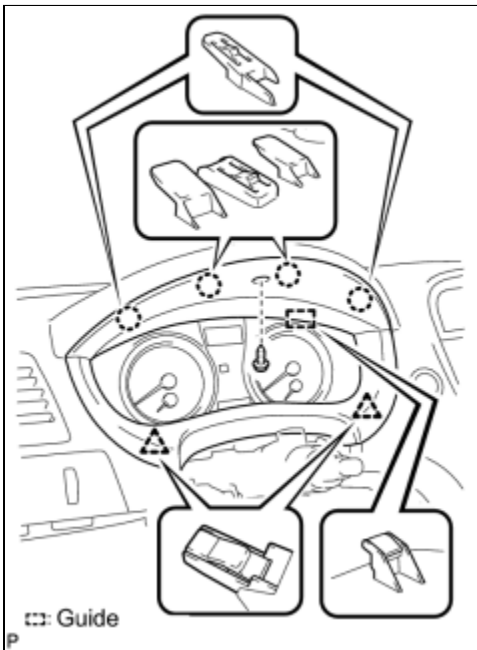
(b) Disengage the 2 claws and remove the lower steering column cover.

(c) Disengage the claw <A> and remove the upper steering column cover.

14. REMOVE TILT AND TELESCOPIC SWITCH INFO

15. REMOVE TURN SIGNAL SWITCH ASSEMBLY WITH SPIRAL CABLE SUB-ASSEMBLY INFO

16. REMOVE INSTRUMENT CLUSTER FINISH PANEL SUB-ASSEMBLY

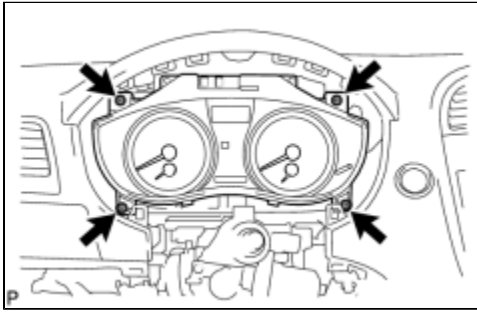


(a) Remove the screw .

(b) Disengage the 2 clips.

(c) Disengage the guide and the 4 claws, and remove the instrument cluster finish panel sub-assembly.

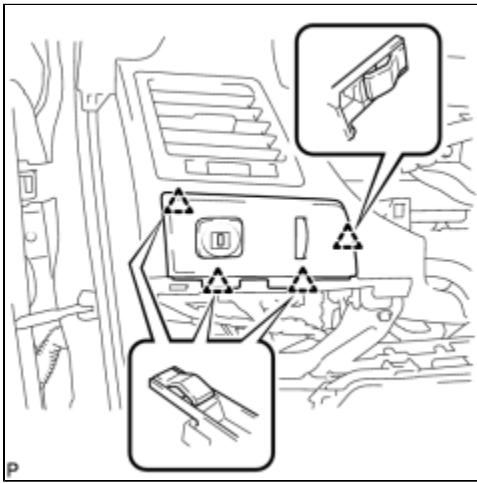
17. REMOVE COMBINATION METER ASSEMBLY



(a) Remove the 4 screws or <C>.

(b) Disconnect each connector and remove the combination meter assembly.

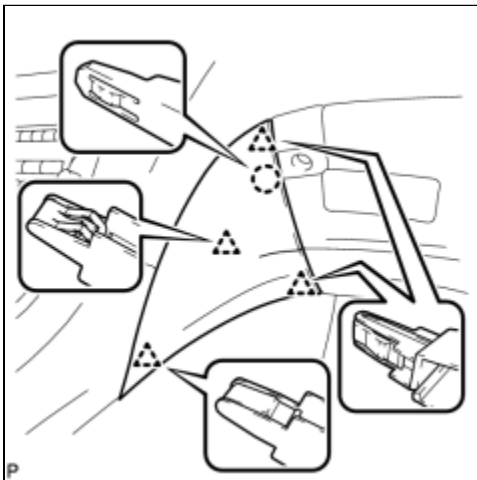
18. REMOVE NO. 1 SWITCH HOLE BASE



(a) Disengage the 4 clips.

(b) Disconnect each connector and remove the No. 1 switch hole base.

19. REMOVE INSTRUMENT PANEL FINISH PANEL END RH



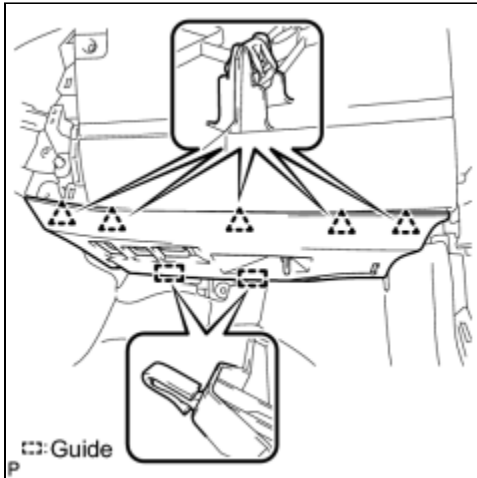
(a) Disengage the claw and 4 clips, and remove the instrument panel finish panel end RH.

20. REMOVE FRONT DOOR SCUFF PLATE RH INFO

21. REMOVE FRONT DOOR OPENING TRIM COVER RH

INFO

22. REMOVE NO. 2 INSTRUMENT PANEL UNDER COVER SUB-ASSEMBLY

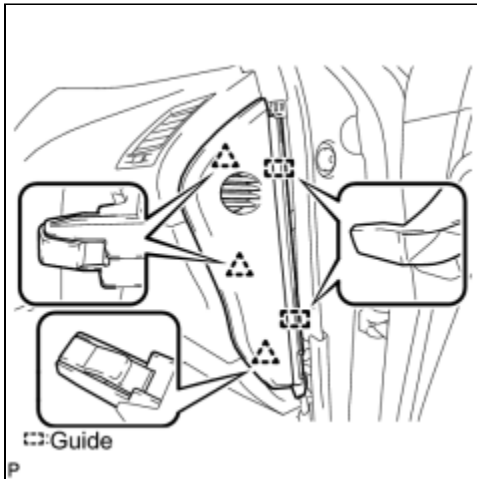


(a) Disengage the 5 clips.

(b) Disengage the 2 guides and remove the No. 2 instrument panel under cover sub-assembly.

(c) Disconnect the connector.

23. REMOVE SIDE INSTRUMENT PANEL RH



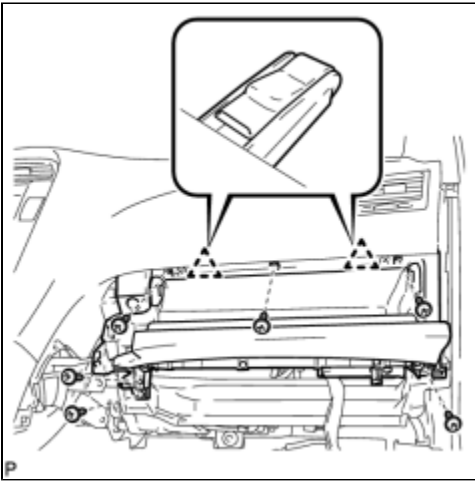
(a) Disengage the 3 clips.

(b) Disengage the 2 guides and remove the side instrument panel RH.

24. REMOVE FRONT PASSENGER SIDE KNEE AIRBAG ASSEMBLY

INFO

25. REMOVE LOWER INSTRUMENT PANEL RH

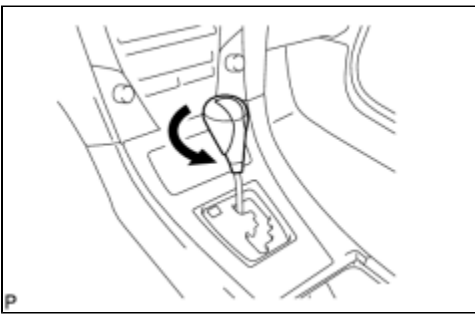


(a) Remove the 6 screws <D>.

(b) Disengage the 2 clips.

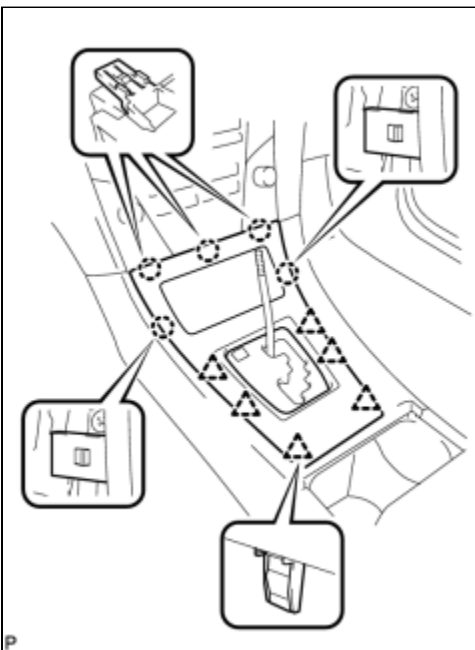
(c) Disconnect each connector and remove the lower instrument panel RH

26. REMOVE SHIFT LEVER KNOB SUB-ASSEMBLY



(a) Turn the shift lever knob counterclockwise and remove the shift lever knob sub-assembly.

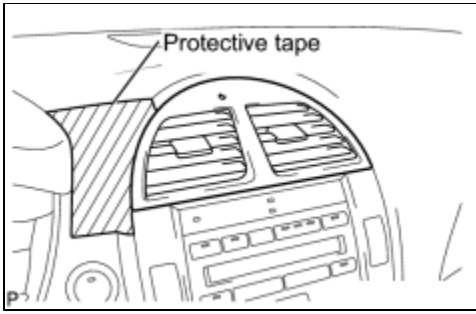
27. REMOVE UPPER CONSOLE PANEL ASSEMBLY WITH FRONT ASH RECEPTACLE



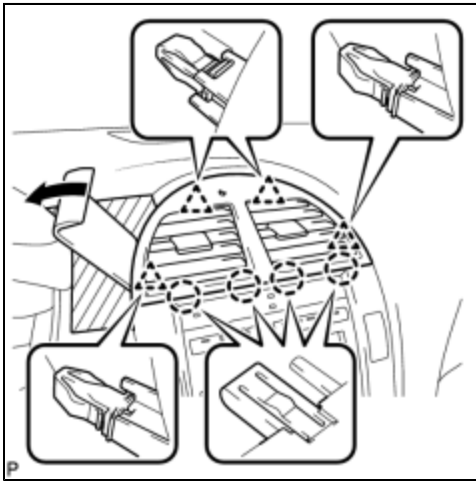
(a) Disengage the 5 claws and 6 clips.

(b) Disconnect the connector and remove the upper console panel assembly with front ash receptacle.

28. REMOVE NO. 2 INSTRUMENT PANEL REGISTER ASSEMBLY



(a) Apply protective tape to the area shown in the illustration.



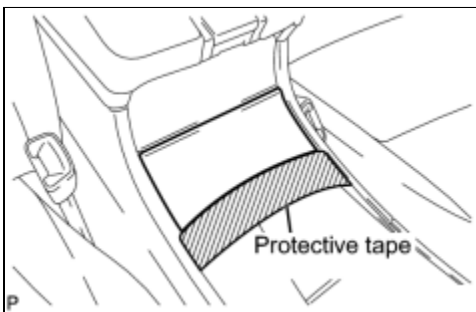
(b) Using a moulding remover, disengage the 4 claws and 4 clips, and remove the No. 2 instrument panel register assembly.

(c) Disconnect the connector.

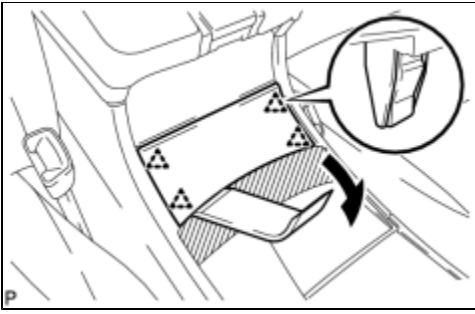
29. REMOVE INTEGRATION CONTROL PANEL WITH RADIO RECEIVER ASSEMBLY (w/o Navigation System) [INFO](#)

30. REMOVE MULTI-DISPLAY WITH RADIO RECEIVER ASSEMBLY (w/ Navigation System) [INFO](#)

31. REMOVE HEATER SEAT SWITCH CONSOLE BASE (w/o Seat Heater System)

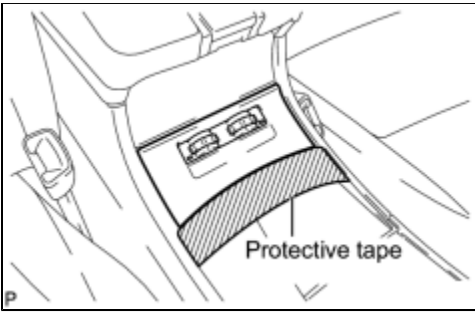


(a) Apply protective tape to the area shown in the illustration.

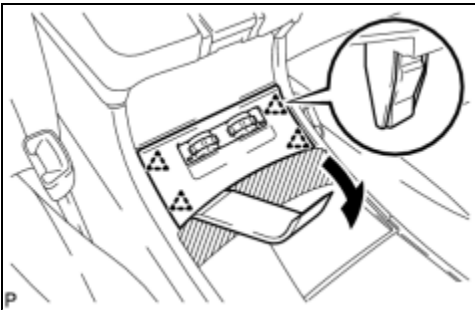


(b) Using a moulding remover, disengage the 4 clips and remove the heater seat switch console base.

32. REMOVE HEATER SEAT SWITCH CONSOLE BASE (w/ Seat Heater System)



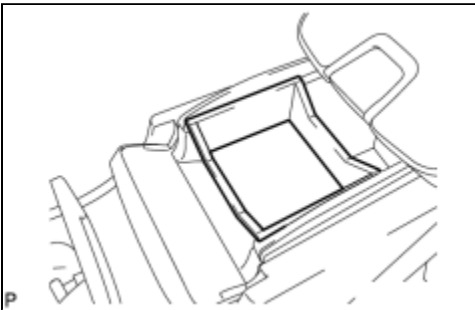
(a) Apply protective tape to the area shown in the illustration.



(b) Using a moulding remover, disengage the 4 clips.

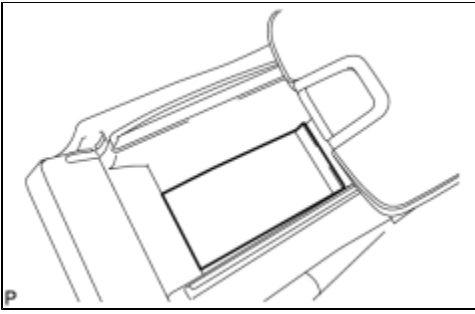
(c) Disconnect each connector and remove the heater seat switch console base.

33. REMOVE CONSOLE BOX POCKET



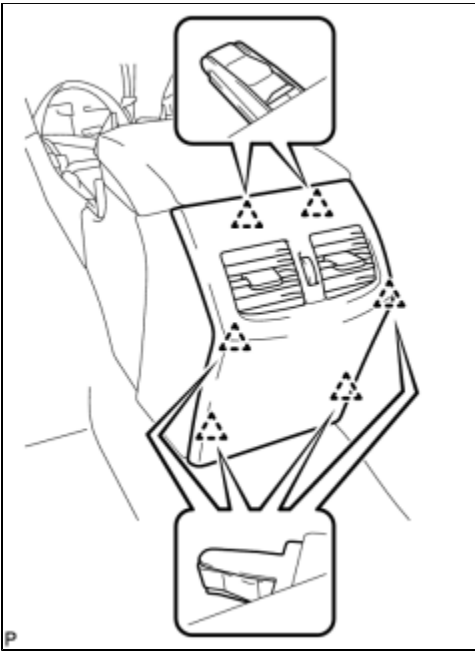
(a) Remove the console box pocket.

34. REMOVE CONSOLE BOX CARPET



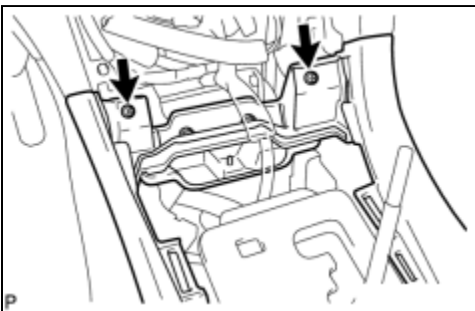
(a) Remove the console box carpet.

35. REMOVE CONSOLE REAR END PANEL SUB-ASSEMBLY



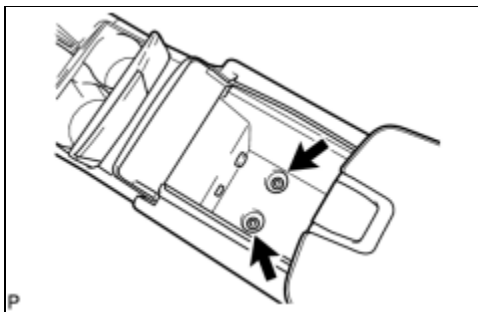
(a) Disengage the 6 claws and remove the console rear end panel sub-assembly.

36. REMOVE REAR CONSOLE BOX ASSEMBLY



(a) Remove the 2 screws <F>.

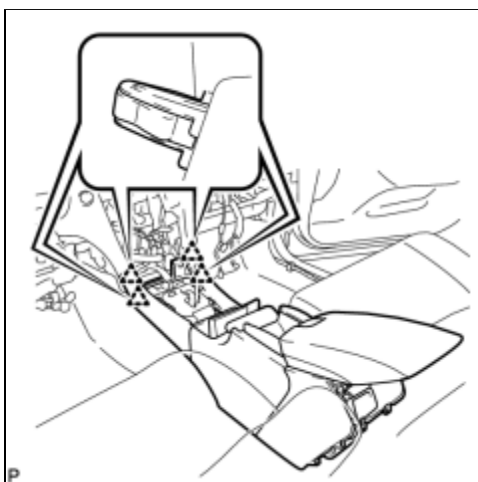
(b) Remove the 2 bolts <E>.



(c) Remove the 2 bolts <E>.



(d) Disengage the 4 clips and remove the rear console box assembly.



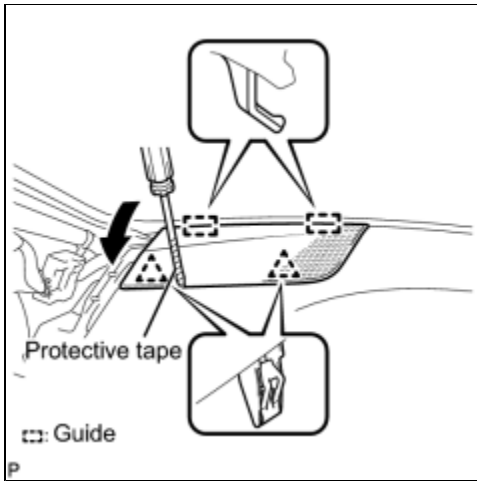
(e) Disconnect each connector.

37. REMOVE FRONT PILLAR GARNISH LH INFO

38. REMOVE NO. 1 INSTRUMENT PANEL SPEAKER PANEL SUB-ASSEMBLY

(a) Using a screwdriver, disengage the 2 clips.

HINT:

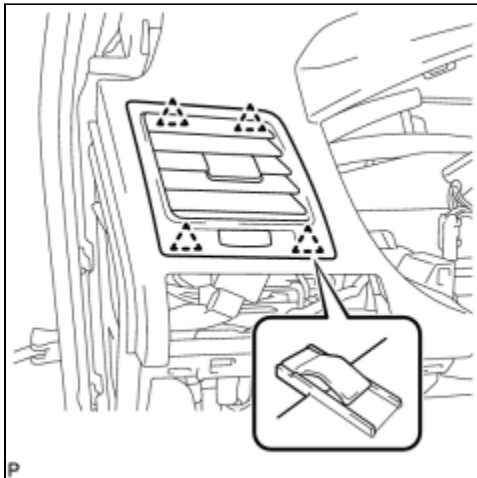


Tape the screwdriver tip before use.

(b) Disengage the 2 guides and remove the No. 1 instrument panel speaker panel sub-assembly.

39. REMOVE FRONT NO. 2 SPEAKER ASSEMBLY (for LH Side) INFO

40. REMOVE NO. 1 INSTRUMENT PANEL REGISTER ASSEMBLY



(a) Disengage the 4 clips and remove the No. 1 instrument panel register assembly.

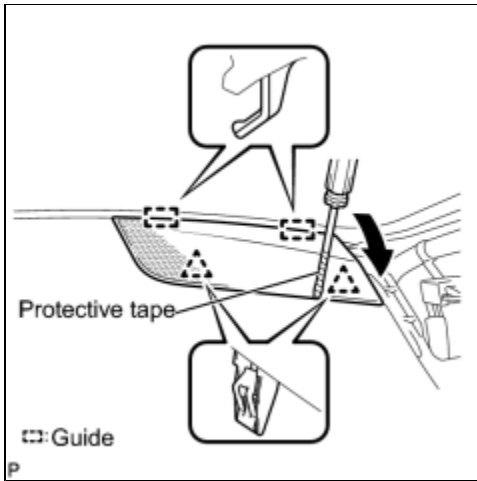
41. REMOVE FRONT PILLAR GARNISH RH INFO

42. REMOVE NO. 2 INSTRUMENT PANEL SPEAKER PANEL SUB-ASSEMBLY

(a) Using a screwdriver, disengage the 2 clips.

HINT:

Tape the screwdriver tip before use.

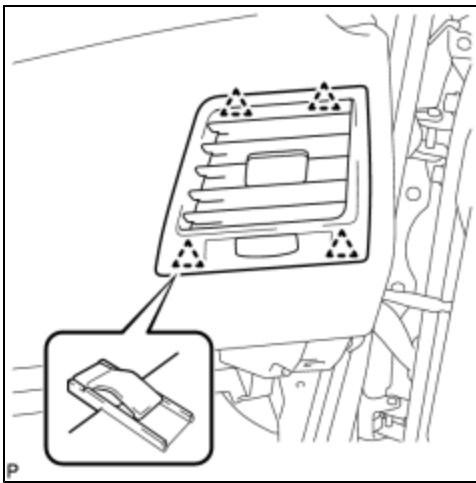


(b) Disengage the 2 guides and remove the No. 2 instrument panel speaker panel sub-assembly.

43. REMOVE FRONT NO. 2 SPEAKER ASSEMBLY (for RH Side)

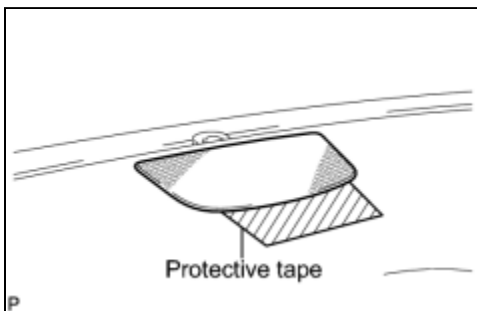
HINT: Use the same procedures described for the LH side [INFO](#).

44. REMOVE NO. 3 INSTRUMENT PANEL REGISTER ASSEMBLY

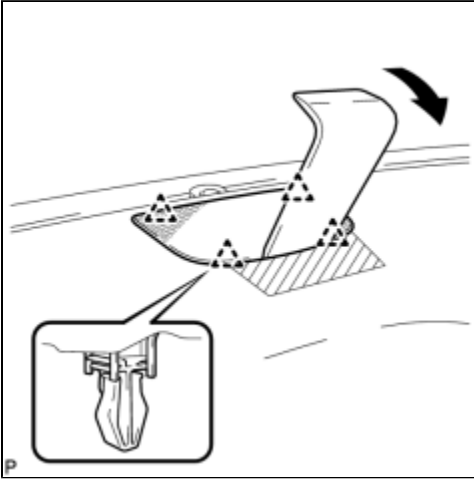


(a) Disengage the 4 clips and remove the No. 3 instrument panel register assembly.

45. REMOVE NO. 1 SPEAKER HOLE COVER



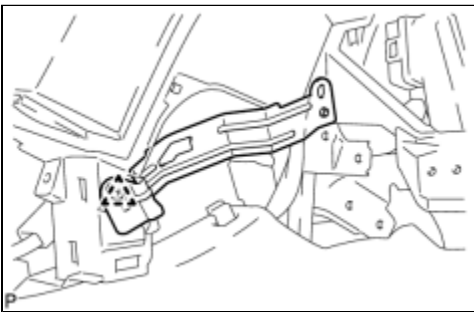
(a) Apply protective tape to the area shown in the illustration.



(b) Using a moulding remover, disengage the 4 clips and remove the No. 1 speaker hole cover.

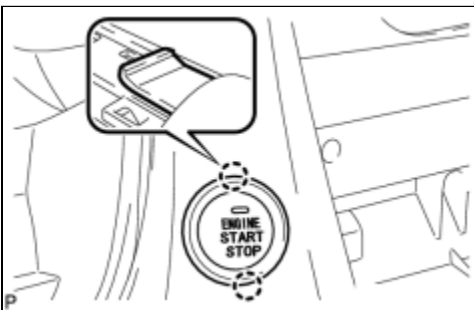
46. REMOVE FRONT STEREO COMPONENT SPEAKER ASSEMBLY INFO

47. REMOVE NO. 1 INSTRUMENT PANEL MOUNTING BRACKET



(a) Remove the clip and the No. 1 instrument panel mounting bracket.

48. REMOVE PUSH START SWITCH



(a) Disengage the 2 claws and remove the push start switch.

(b) Disconnect the connector.

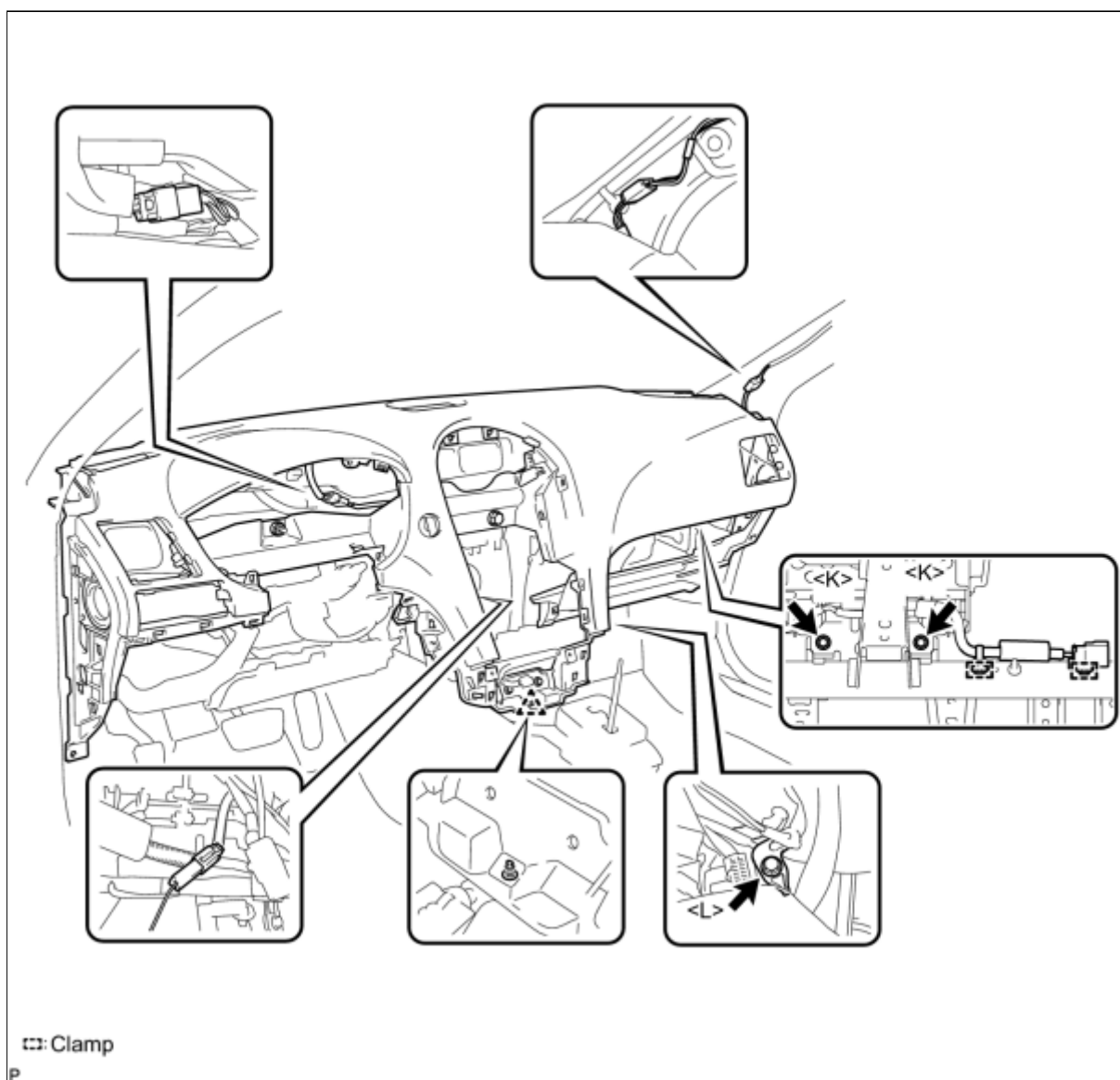
49. DISCONNECT INSTRUMENT PANEL WIRE ASSEMBLY INFO

50. REMOVE ROOM TEMPERATURE SENSOR INFO

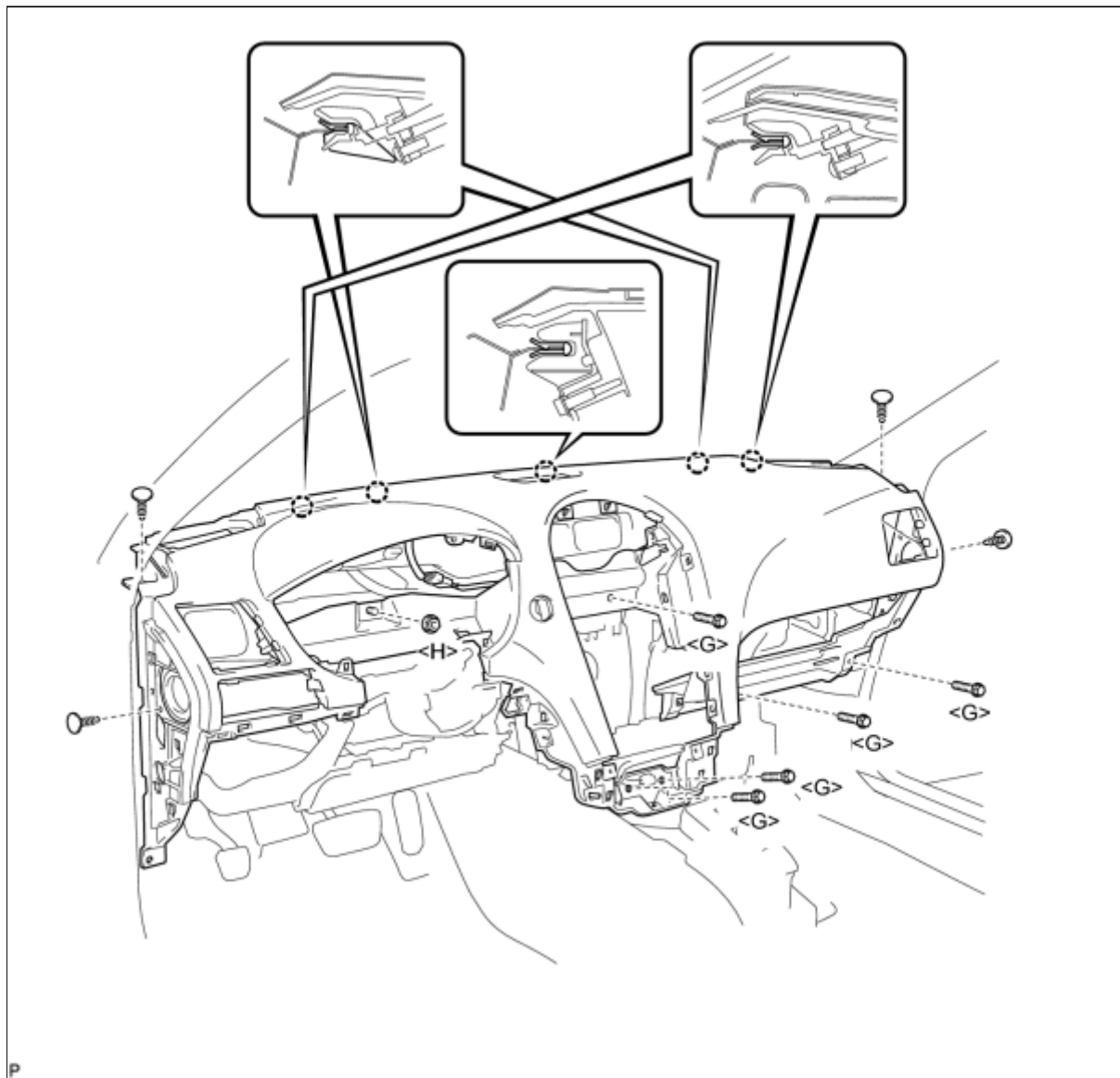
51. REMOVE INSTRUMENT PANEL SAFETY PAD ASSEMBLY (w/o DVD Player)

(a) Disconnect each connector.

- (b) Disengage each clamp.
- (c) Remove the 2 passenger airbag bolts <K>.
- (d) Remove the clip.
- (e) Remove the bolt <L>.

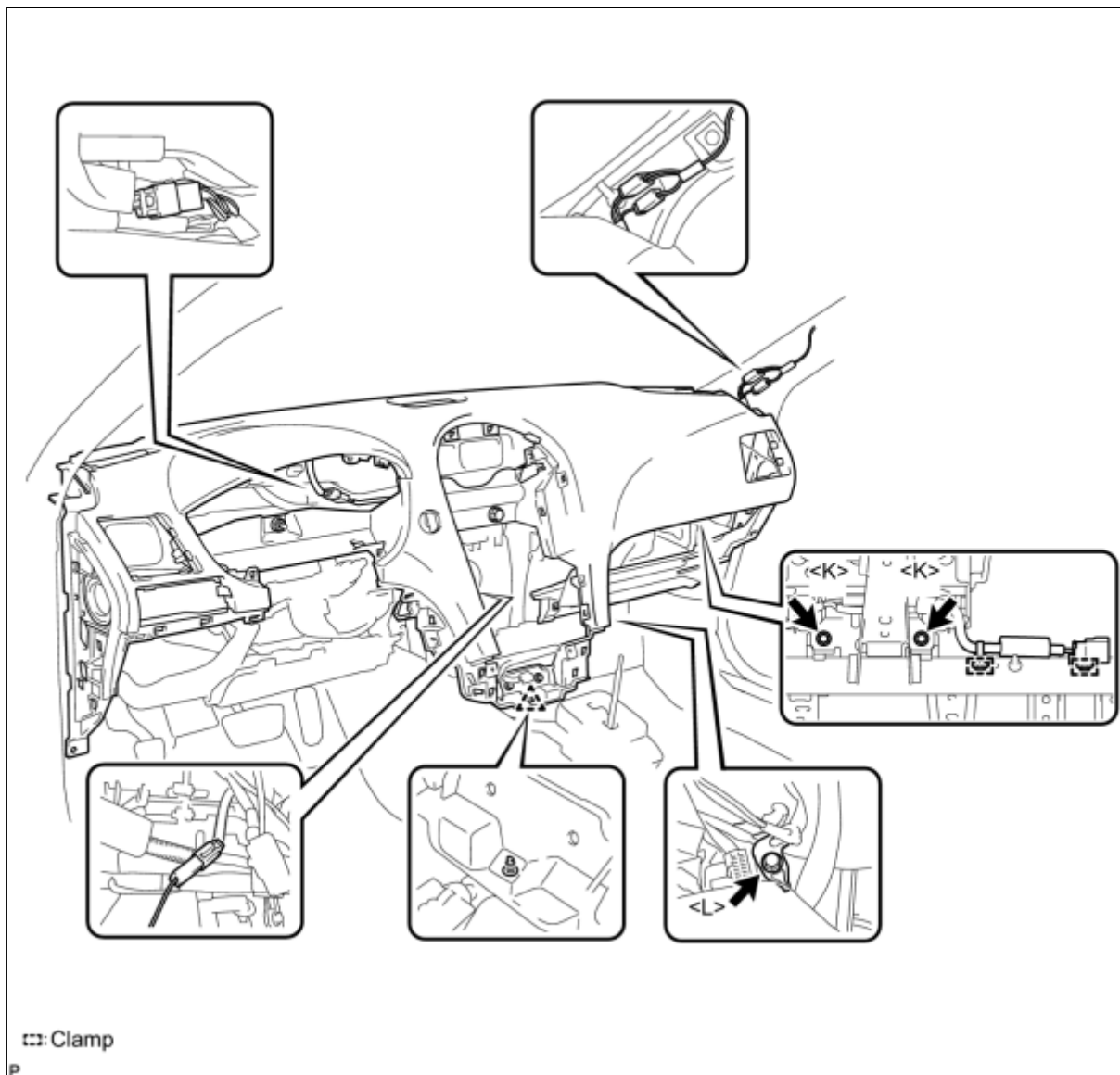


- (f) Remove the 5 bolts <G> and nut <H>.
- (g) Remove the 4 clips.
- (h) Disengage the 5 claws and remove the instrument panel safety pad assembly.



52. REMOVE INSTRUMENT PANEL SAFETY PAD ASSEMBLY (w/ DVD Player)

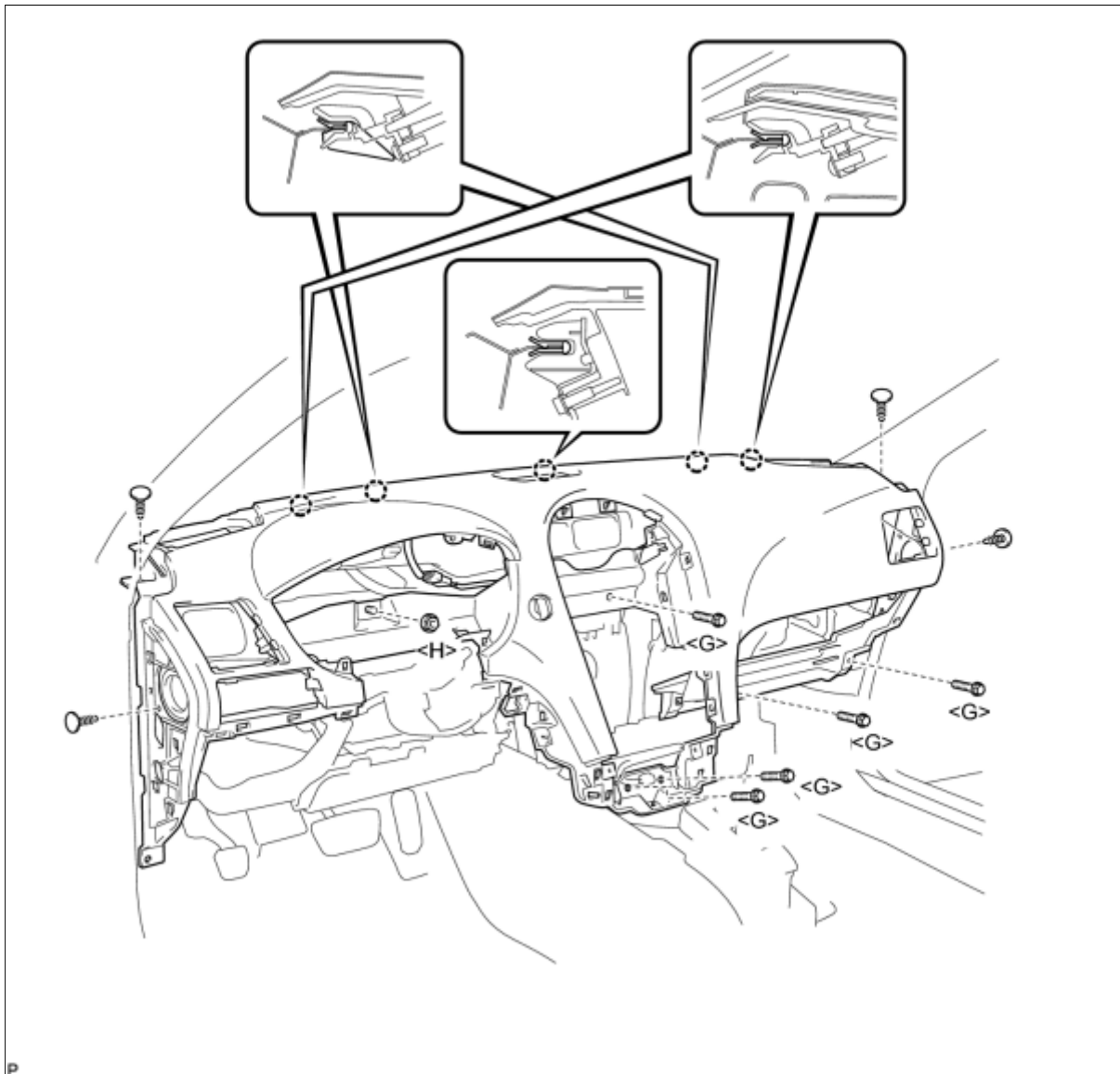
- (a) Disconnect each connector.
- (b) Disengage each clamp.
- (c) Remove the 2 passenger airbag bolts <K>.
- (d) Remove the clip.
- (e) Remove the bolt <L>.



(f) Remove the 5 bolts <G> and nut <H>.

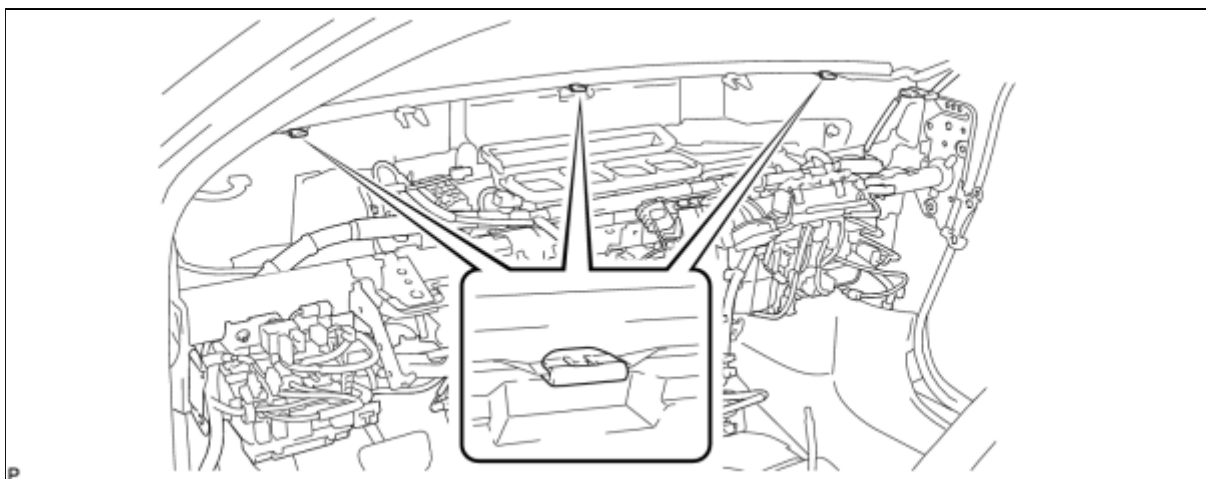
(g) Remove the 4 clips.

(h) Disengage the 5 claws and remove the instrument panel safety pad assembly.



53. REMOVE NO. 1 INSTRUMENT PANEL CLIP

- (a) Disengage the 3 claws and remove the 3 No. 1 instrument panel clips.



54. REMOVE NO. 3 INSTRUMENT PANEL STAY

- (a) Disengage the 2 claws and remove the 2 No. 3 instrument panel stays.

