

TABLE OF HOUSING CROSS SECTION

| Type                            | ○ : Position of the lance<br>↑ : Direction of lock released<br>↗ : Direction of the special tool inserted |  |
|---------------------------------|---|--|
|                                 | Male  | Female   |
| 0.64                            |   | <p>(Double Lock Type)<br/>[Terminal Lance]</p> |
| 0.64<br>IDC                     |   | <p>[Terminal Lance]</p>                        |
| 1.0                             |   | <p>(Double Lock Type)<br/>[Housing Lance]</p>  |
| 1.0II<br>Non-waterproof<br>Type | <p>(Double Lock Type)<br/>[Housing Lance]</p>   | <p>(Double Lock Type)<br/>[Housing Lance]</p>  |

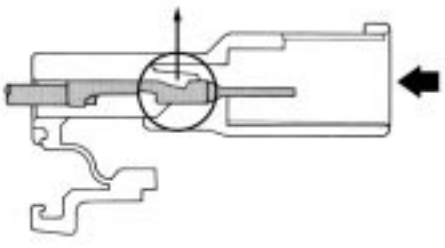
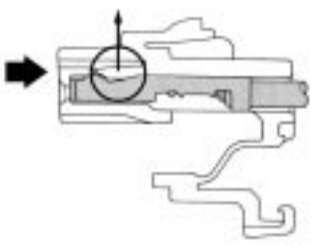
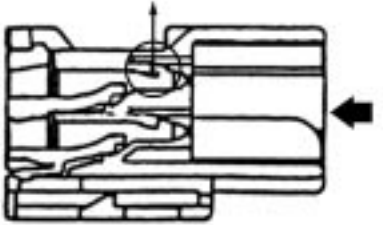
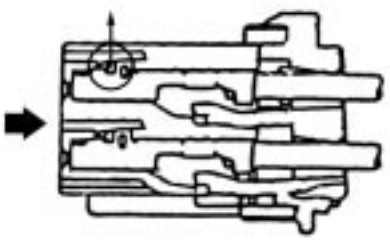

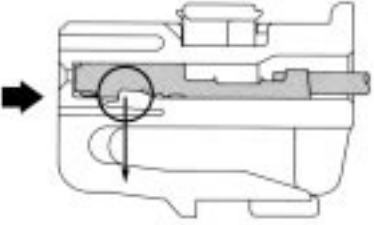
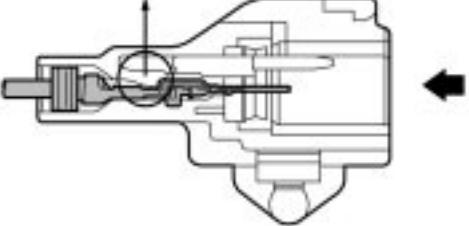
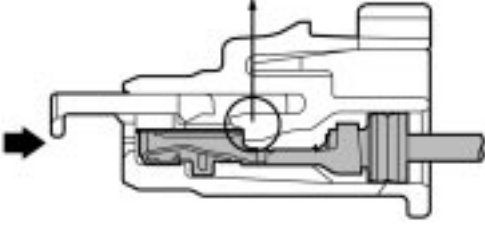
C

TABLE OF HOUSING CROSS SECTION

| Type                                      | ○ : Position of the lance<br>↑ : Direction of lock released<br>▲ : Direction of the special tool inserted |   |
|---|---|---|
|   | Male  | Female  |
| 1.0II<br>Waterproof<br>Type               |   | <p>[Housing Lance]</p>                        |
| 1.0III<br>1.0IV<br>Non-waterproof<br>Type | <p>(Double Lock Type)<br/>[Housing Lance]</p>   | <p>(Double Lock Type)<br/>[Housing Lance]</p> |
| 1.0III<br>IDC                             | <p>[Terminal Lance]</p>   | <p>[Terminal Lance]</p>                       |
| 1.0III<br>Waterproof<br>Type              | <p>(Double Lock Type)<br/>[Housing Lance]</p>   | <p>(Double Lock Type)<br/>[Housing Lance]</p> |

C

TABLE OF HOUSING CROSS SECTION

| Type                          | ○ : Position of the lance<br>↑ : Direction of lock released<br>▲ : Direction of the special tool inserted                         |  |
|-------------------------------|---|--|
|                               | Male  | Female   |
| 1.3<br>Non-waterproof<br>Type |  <p>(Double Lock Type)<br/>[Housing Lance]</p>   |  <p>(Double Lock Type)<br/>[Housing Lance]</p>  |
| 1.3<br>Non-waterproof<br>Type |  <p>(Double Lock Type)<br/>[Housing Lance]</p>   |  <p>(Double Lock Type)<br/>[Housing Lance]</p> |
| 1.3<br>Non-waterproof<br>Type |    |  <p>(Double Lock Type)<br/>[Housing Lance]</p> |
| 1.3<br>Waterproof<br>Type     |  <p>(Double Lock Type)<br/>[Housing Lance]</p> |  <p>(Double Lock Type)<br/>[Housing Lance]</p> |

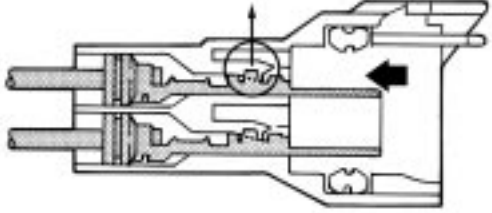
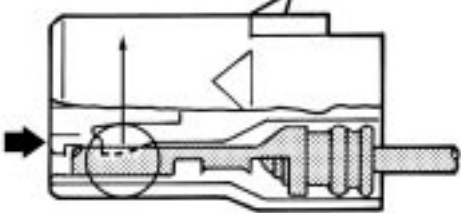
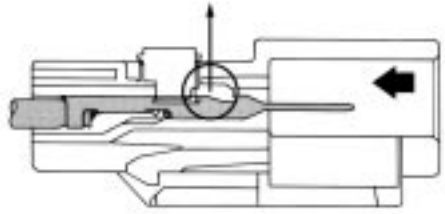
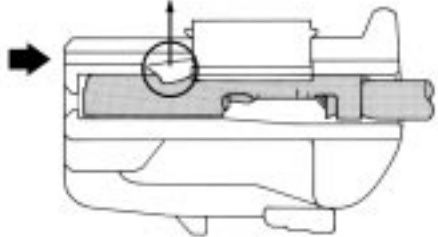

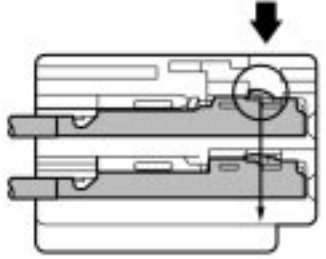
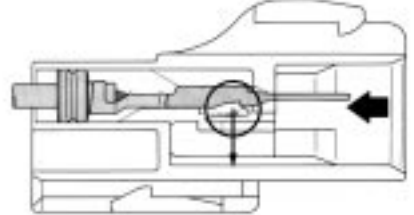
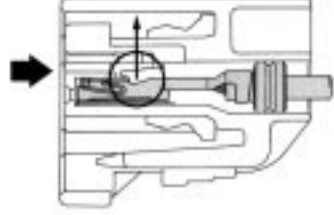
C

TABLE OF HOUSING CROSS SECTION

| Type                          | ○ : Position of the lance<br>↑ : Direction of lock released<br>▲ : Direction of the special tool inserted |   |
|-------------------------------|---|---|
|                               | Male  | Female  |
| 1.8<br>Non-waterproof<br>Type | <p>(Double Lock Type)<br/>[Housing Lance]</p>   | <p>(Double Lock Type)<br/>[Housing Lance]</p> |
| 1.8<br>Waterproof<br>Type     |   | <p>(Double Lock Type)<br/>[Housing Lance]</p> |
| 1.8II                         | <p>(Double Lock Type)<br/>[Housing Lance]</p>   | <p>(Double Lock Type)<br/>[Housing Lance]</p> |
| 2.3<br>Non-waterproof<br>Type | <p>[Housing Lance]</p>  | <p>[Housing Lance]</p>                        |

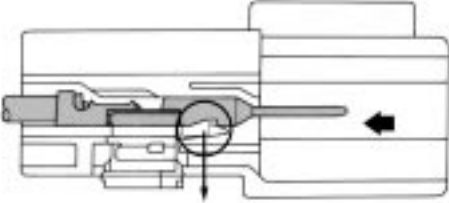
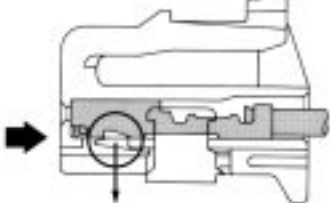
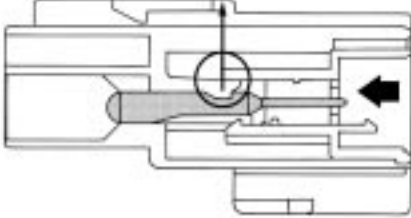
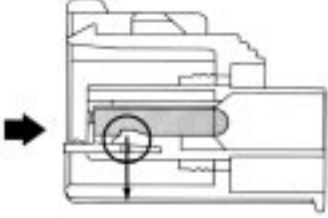
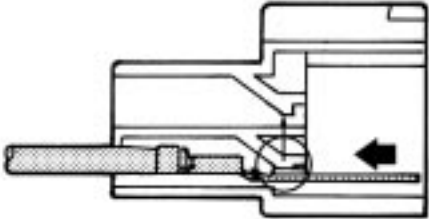
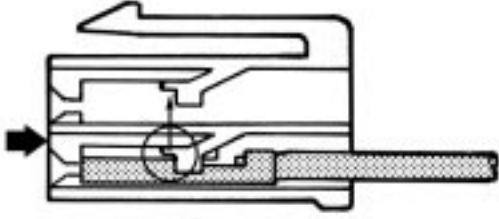

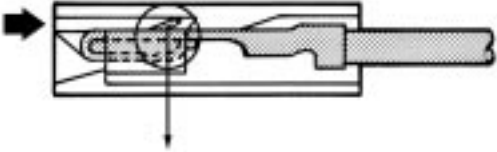
C

TABLE OF HOUSING CROSS SECTION

| Type                            | ○ : Position of the lance<br>↑ : Direction of lock released<br>▲ : Direction of the special tool inserted                         |   |
|---------------------------------|---|---|
|                                 | Male  | Female  |
| 2.3<br>Waterproof<br>Type       |  <p>[Housing Lance]</p>                          |  <p>[Housing Lance]</p>                           |
| 2.3II<br>Non-waterproof<br>Type |  <p>(Double Lock Type)<br/>[Housing Lance]</p>   |  <p>(Double Lock Type)<br/>[Housing Lance]</p>   |
| 2.3II<br>IDC                    |    |  <p>[Terminal Lance]</p>                       |
| 2.3II<br>Waterproof<br>Type     |  <p>(Double Lock Type)<br/>[Housing Lance]</p> |  <p>(Double Lock Type)<br/>[Housing Lance]</p> |

C

TABLE OF HOUSING CROSS SECTION

| Type                          | ○ : Position of the lance<br>↑ : Direction of lock released<br>▲ : Direction of the special tool inserted                        |   |
|-------------------------------|--|---|
|                               | Male   | Female  |
| 4.8<br>Non-waterproof<br>Type |  <p>(Double Lock Type)<br/>[Housing Lance]</p>  |  <p>(Double Lock Type)<br/>[Housing Lance]</p>  |
| 4.8<br>Waterproof<br>Type     |  <p>(Double Lock Type)<br/>[Housing Lance]</p> |  <p>(Double Lock Type)<br/>[Housing Lance]</p> |
| 6.3<br>Non-waterproof<br>Type |  <p>[Housing Lance]</p>                       |  <p>[Housing Lance]</p>                       |
| 6.3<br>Single<br>Terminal     |   |  <p>[Terminal Lance]</p>                      |

C

TABLE OF HOUSING CROSS SECTION

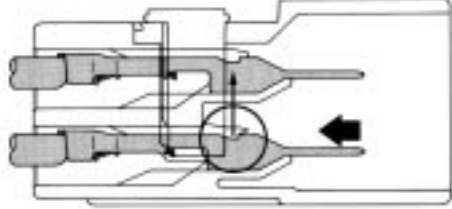
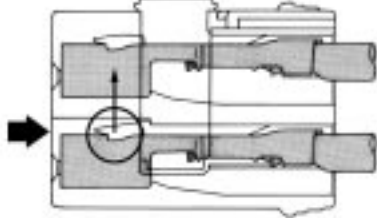
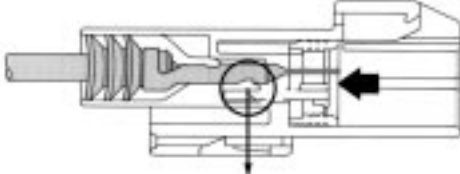
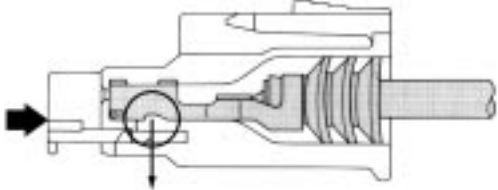

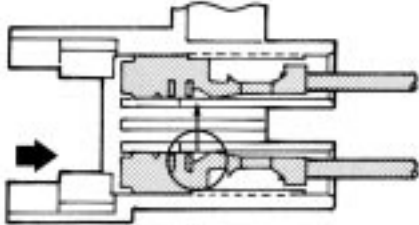
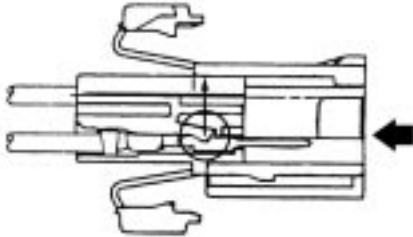
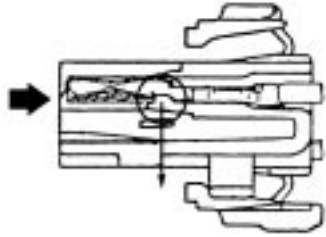
| Type                          | ○ : Position of the lance<br>↑ : Direction of lock released<br>▲ : Direction of the special tool inserted                         |   |
|-------------------------------|---|---|
|                               | Male  | Female  |
| 8.0<br>Non-waterproof<br>Type |  <p>(Double Lock Type)<br/>[Housing Lance]</p>   |  <p>(Double Lock Type)<br/>[Housing Lance]</p>   |
| 8.0<br>Waterproof<br>Type     |  <p>(Double Lock Type)<br/>[Housing Lance]</p>   |  <p>(Double Lock Type)<br/>[Housing Lance]</p>    |
| BLADE<br>FUSE                 |    |  <p>[Housing Lance]</p>                         |
| C-Type                        |  <p>(Double Lock Type)<br/>[Housing Lance]</p> |  <p>(Double Lock Type)<br/>[Housing Lance]</p> |

TABLE OF HOUSING CROSS SECTION

| Type                      | ○ : Position of the lance<br>↑ : Direction of lock released<br>▲ : Direction of the special tool inserted |                         |
|---------------------------|---|-------------------------|
|                           | Male  | Female                  |
| 6.3<br>Waterproof<br>Type |   | <p>[Housing Lance]</p>  |
| 6.3<br>Waterproof<br>Type |   | <p>[Housing Lance]</p>  |
| 7.7                       | <p>[Terminal Lance]</p>   | <p>[Terminal Lance]</p> |
| 7.7                       | <p>[Housing Lance]</p>  | <p>[Housing Lance]</p>  |

C



TABLE OF HOUSING CROSS SECTION

| Type                            | ○ : Position of the lance<br>↑ : Direction of lock released<br>▲ : Direction of the special tool inserted |   |
|---------------------------------|---|---|
|                                 | Male  | Female  |
| FOG-LP                          |   | <p>(Double Lock Type)<br/>[Housing Lance]</p> |
| FTC                             |   | <p>(Double Lock Type)<br/>[Housing Lance]</p> |
| HEAD LAMP<br>Waterproof<br>Type |   | <p>[Housing Lance]</p>                        |
| HB3<br>HB4                      |   | <p>[Housing Lance]</p>                        |

C

TABLE OF HOUSING CROSS SECTION

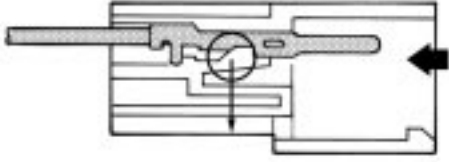
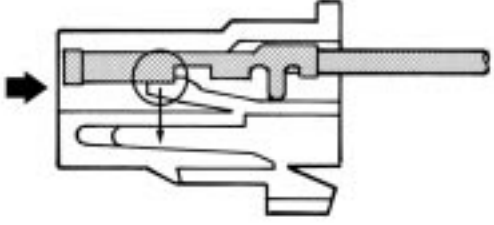

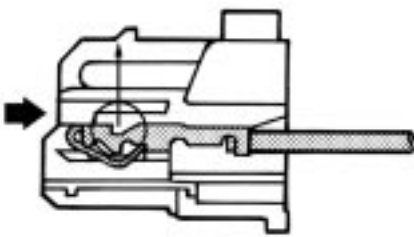

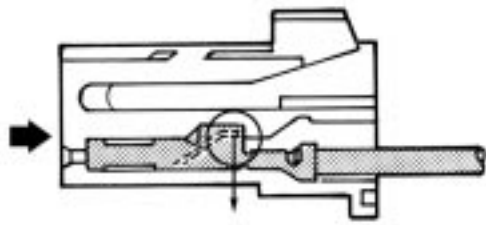

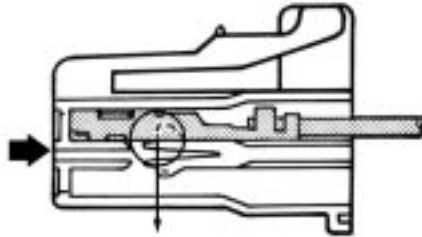
| Type       | ○ : Position of the lance<br>↑ : Direction of lock released<br>▲ : Direction of the special tool inserted |  |
|------------|---|--|
|            | Male  | Female   |
| LAC        |  <p>[Housing Lance]</p>  |  <p>[Housing Lance]</p>    |
| MFPC       |                          |  <p>[Housing Lance]</p>   |
| MIC        |                        |  <p>[Terminal Lance]</p> |
| PULSE LOCK |                        |  <p>[Housing Lance]</p>  |

TABLE OF HOUSING CROSS SECTION

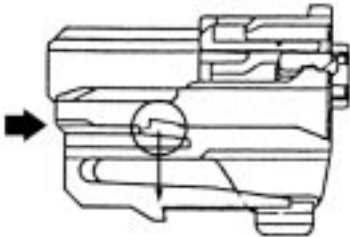
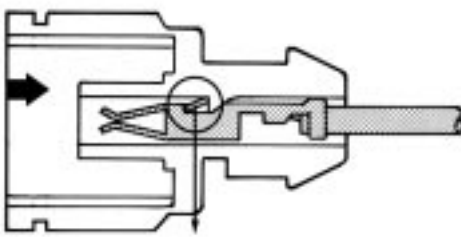
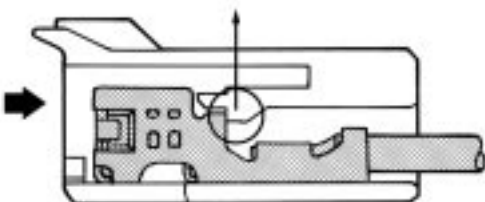
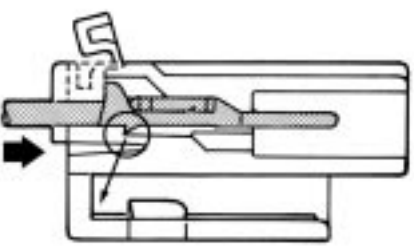
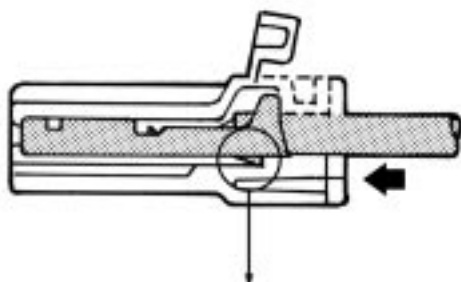
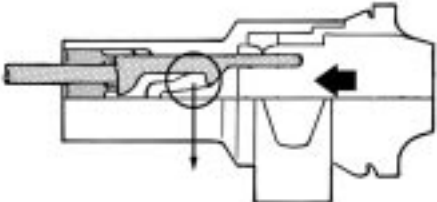
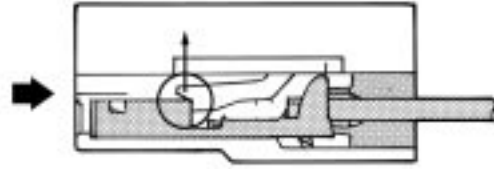
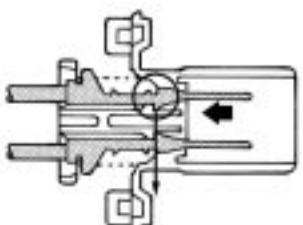
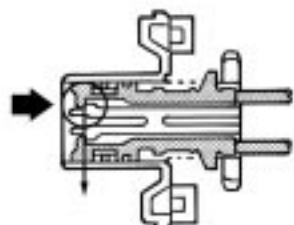
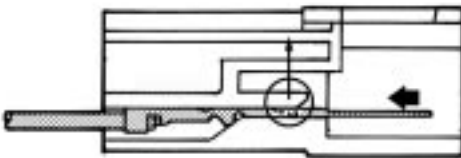
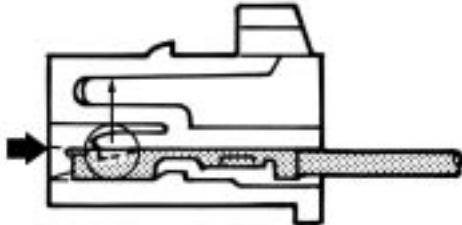
| Type                          | ○ : Position of the lance<br>↑ : Direction of lock released<br>▲ : Direction of the special tool inserted                         |  |
|-------------------------------|---|--|
|                               | Male  | Female   |
| SFPC                          | _____   |  <p>[Housing Lance]</p>                          |
| SL                            | _____   |  <p>[Terminal Lance]</p>                        |
| SP                            | _____   |  <p>[Housing Lance]</p>                        |
| TLC<br>Non-waterproof<br>Type |  <p>(Double Lock Type)<br/>[Housing Lance]</p> |  <p>(Double Lock Type)<br/>[Housing Lance]</p> |

TABLE OF HOUSING CROSS SECTION

| Type                      | ○ : Position of the lance<br>↑ : Direction of lock released<br>▲ : Direction of the special tool inserted                       |  |
|---------------------------|---|--|
|                           | Male  | Female   |
| TLC<br>Waterproof<br>Type |  <p>[Housing Lance]</p>                        |  <p>[Housing Lance]</p>                          |
| TNS                       |  <p>(Double Lock Type)<br/>[Housing Lance]</p> |  <p>(Double Lock Type)<br/>[Housing Lance]</p>  |
| TODC                      |  <p>[Housing Lance]</p>                      |  <p>(Double Lock Type)<br/>[Housing Lance]</p> |
|                           |   |  |