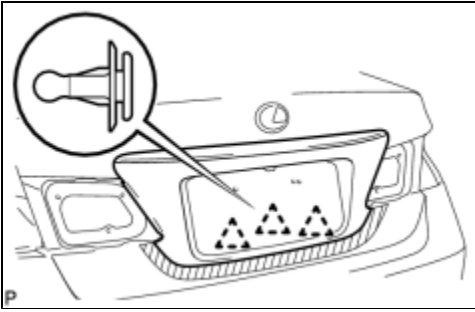


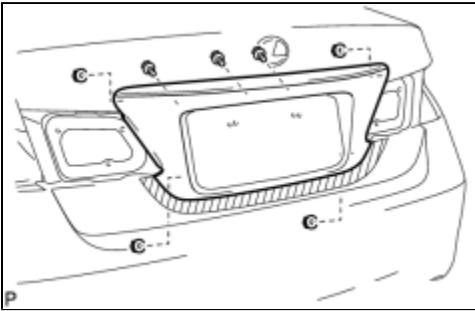
Last Modified: 7-13-2007		1.6 A
Service Category: Vehicle Exterior	Section: Exterior Panels/Trim	
Model Year: 2008	Model: ES350	Doc ID: RM000002D5D002X
Title: EXTERIOR: LUGGAGE COMPARTMENT DOOR GARNISH: INSTALLATION (2008 ES350)		

## INSTALLATION

### 1. INSTALL LUGGAGE COMPARTMENT DOOR OUTSIDE GARNISH SUB-ASSEMBLY (w/o Rear View Monitor System)

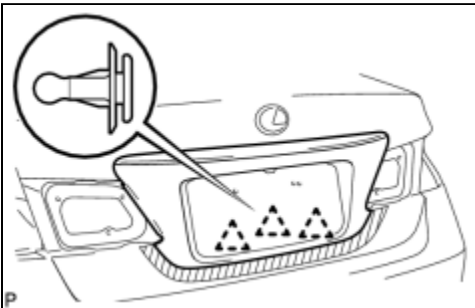


(a) Engage the 3 clips and install the luggage compartment door outside garnish sub-assembly.



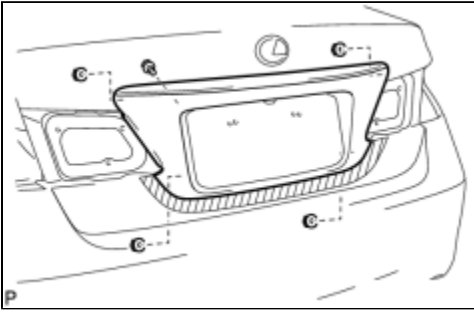
(b) Install the 3 bolts and 4 nuts.

### 2. INSTALL LUGGAGE COMPARTMENT DOOR OUTSIDE GARNISH SUB-ASSEMBLY (w/ Rear View Monitor System)



(a) Engage the 3 clips and install the luggage compartment door outside garnish sub-assembly.

(b) Install the bolt and 4 nuts.



3. INSTALL TELEVISION CAMERA ASSEMBLY (w/ Rear View Monitor System) [INFO](#)

4. INSTALL LUGGAGE DOOR OPENING SWITCH ASSEMBLY [INFO](#)

5. INSTALL REAR LIGHT ASSEMBLY LH [INFO](#)

6. INSTALL REAR LIGHT ASSEMBLY RH

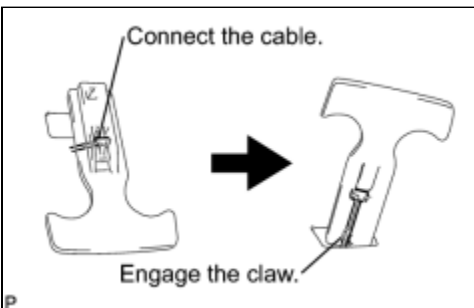
7. INSTALL LUGGAGE COMPARTMENT DOOR COVER



(a) Engage the 2 clips and install the luggage compartment door cover.

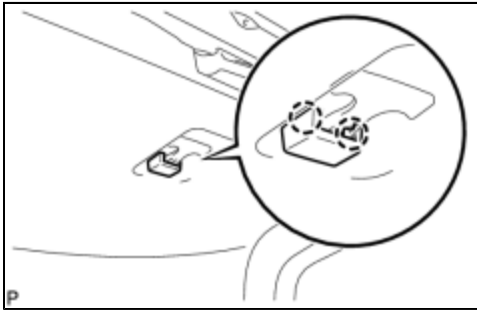
(b) Install the 10 clips.

8. INSTALL LUGGAGE COMPARTMENT DOOR INSIDE HANDLE



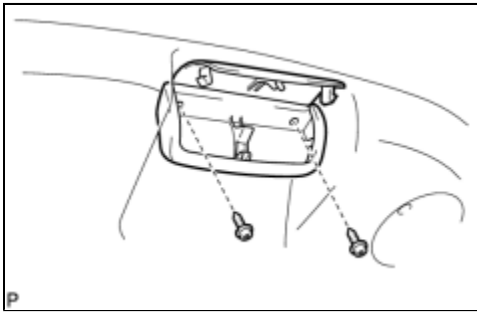
(a) Connect the cable as shown in the illustration, then install the luggage compartment door inside handle.

9. INSTALL LUGGAGE LOCK CONTROL CABLE PLATE

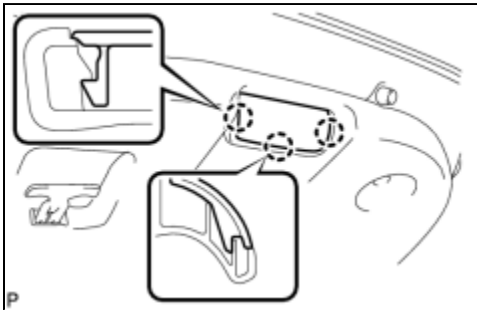


(a) Engage the 2 claws and install the luggage lock control cable plate.

## 10. INSTALL LUGGAGE COMPARTMENT DOOR ASSIST GRIP



(a) Install the luggage compartment door assist grip with the 2 screws.



(b) Engage the 3 claws and close the assist grip cover.

