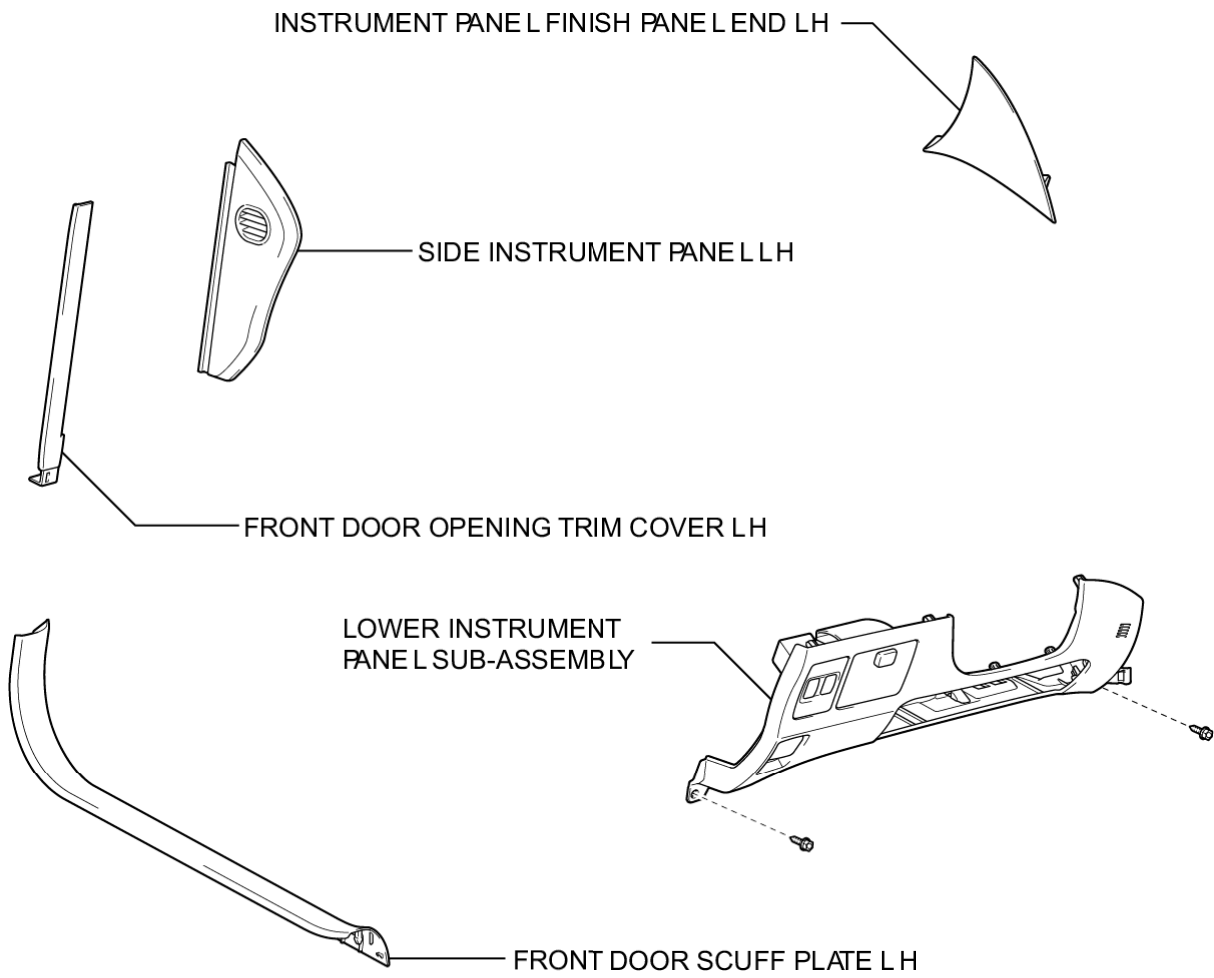


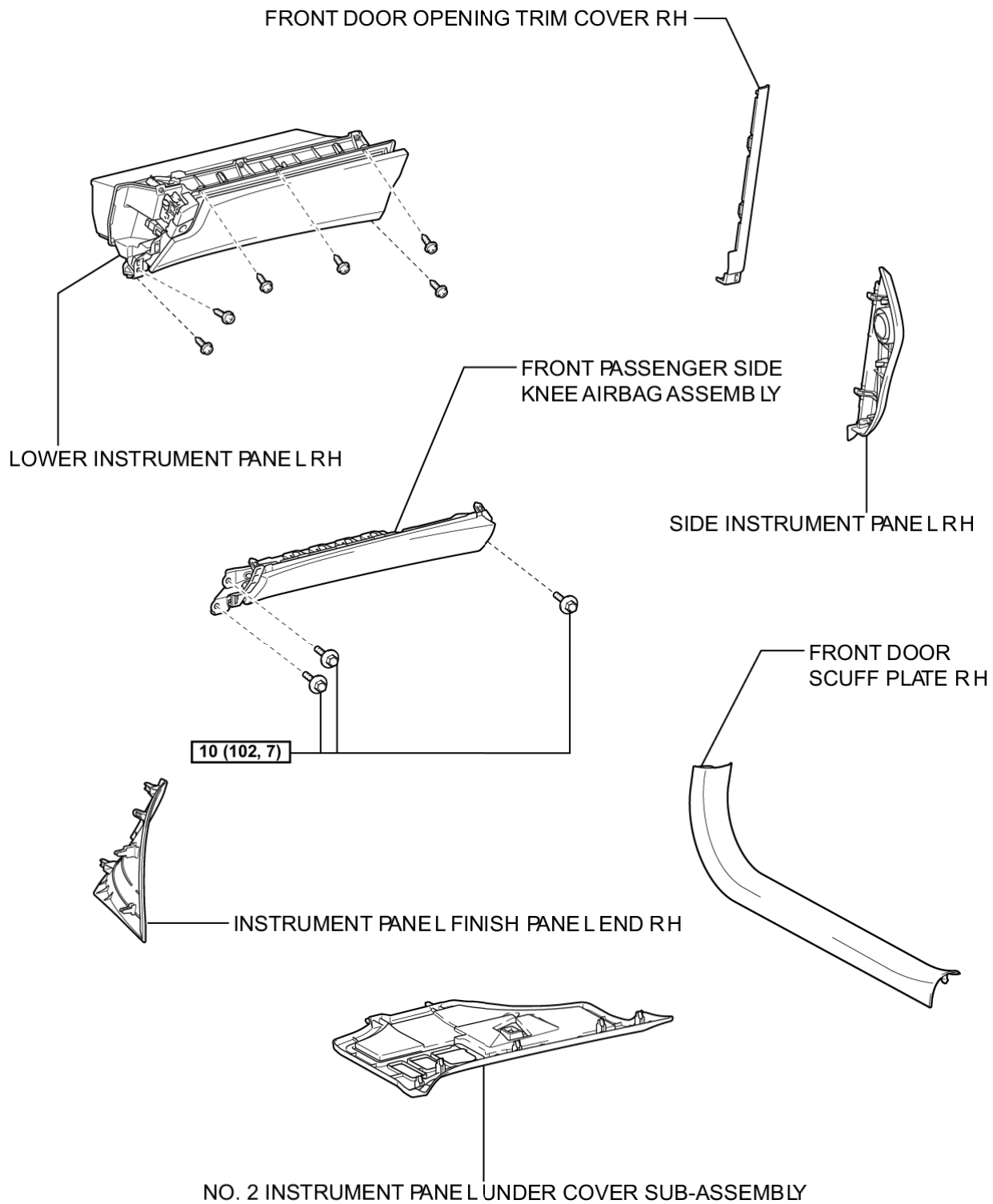
Last Modified: 7-13-2007		1.6 K
Service Category: Brake	Section: Parking Brake	
Model Year: 2008	Model: ES350	Doc ID: RM000002DAS001X
Title: PARKING BRAKE: PARKING BRAKE PEDAL: COMPONENTS (2008 ES350)		

COMPONENTS

ILLUSTRATION



ILLUSTRATION



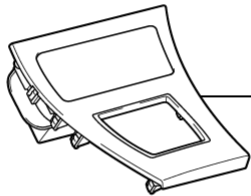
N*m (kgf*cm, ft.*lbf): Specified torque

P

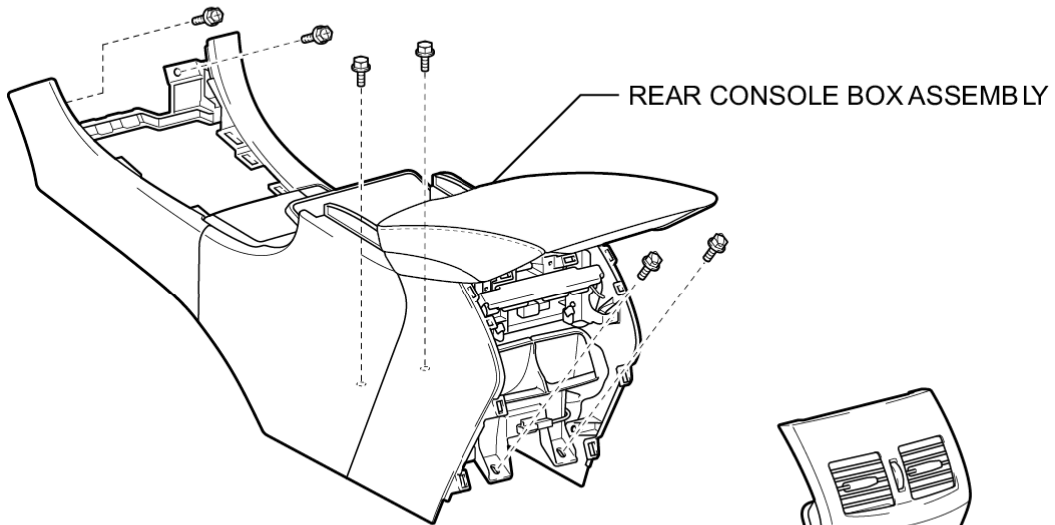
ILLUSTRATION



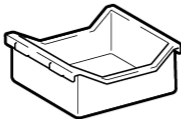
SHIFT LEVER KNOB SUB-ASSEMBLY



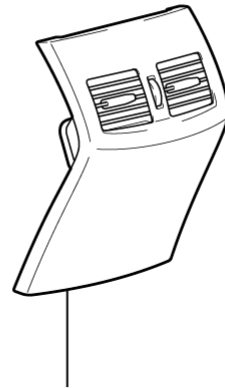
UPPER CONSOLE PANEL ASSEMBLY WITH FRONT ASH RECEPTACLE



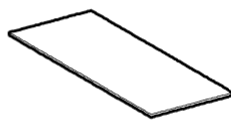
REAR CONSOLE BOX ASSEMBLY



CONSOLE BOX POCKET

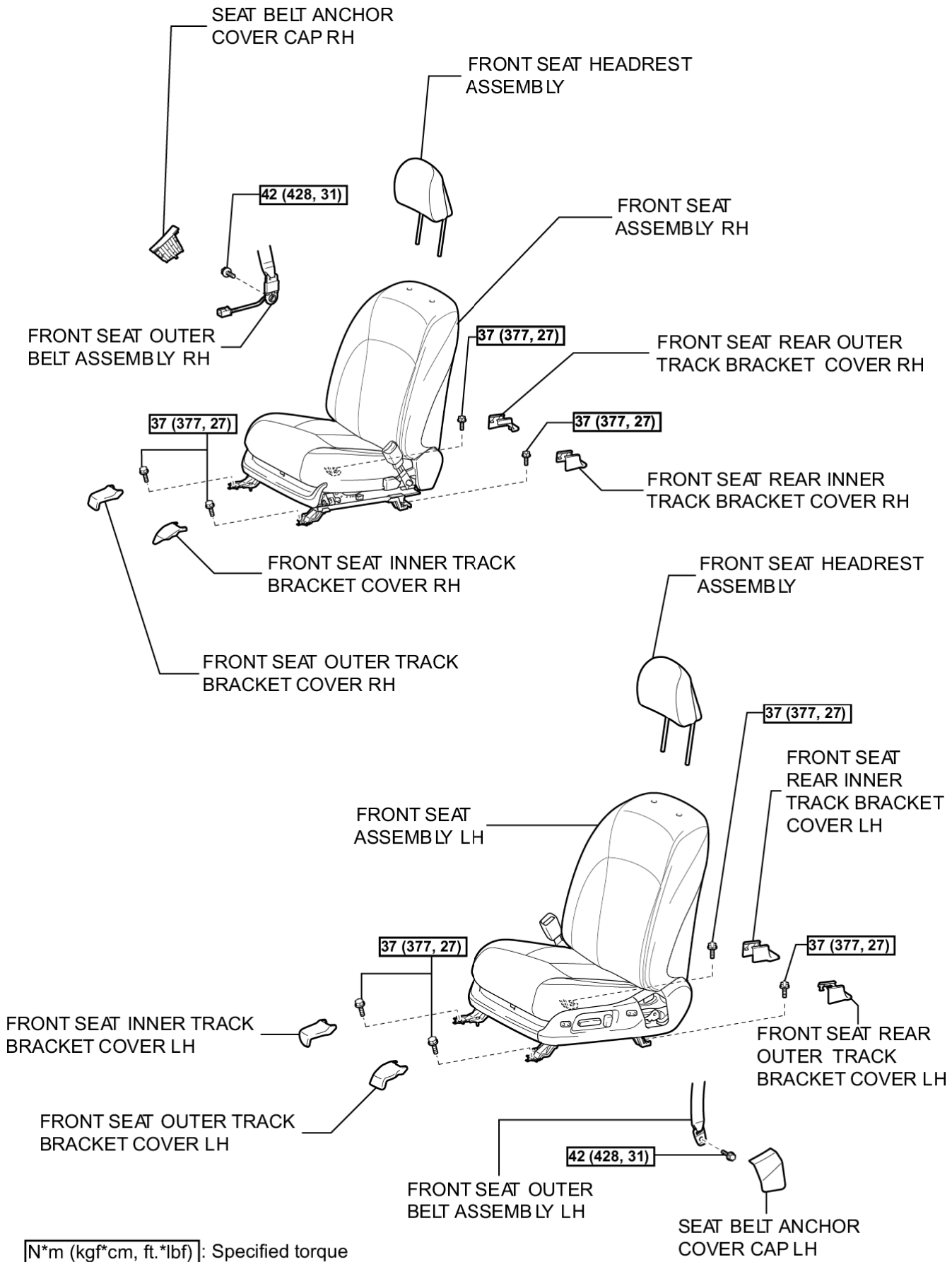


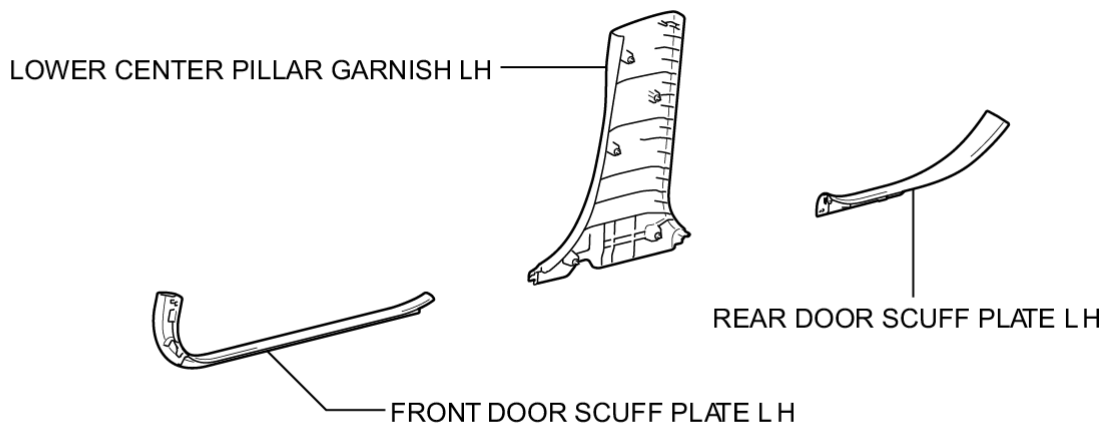
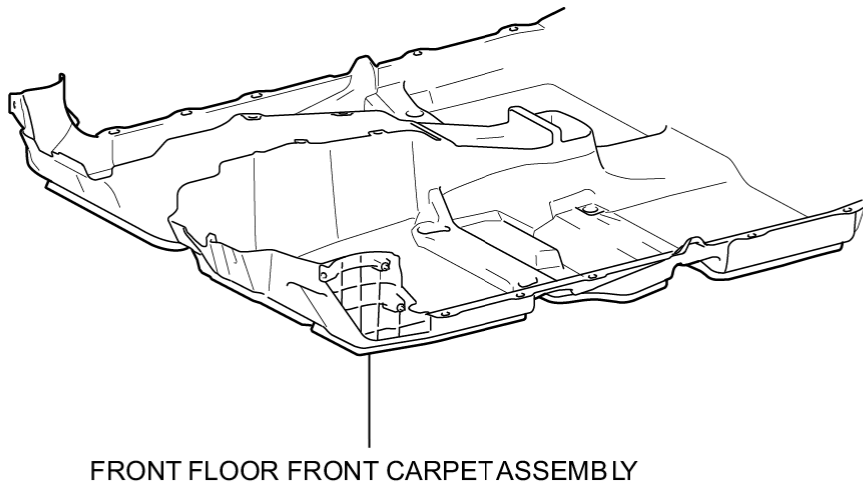
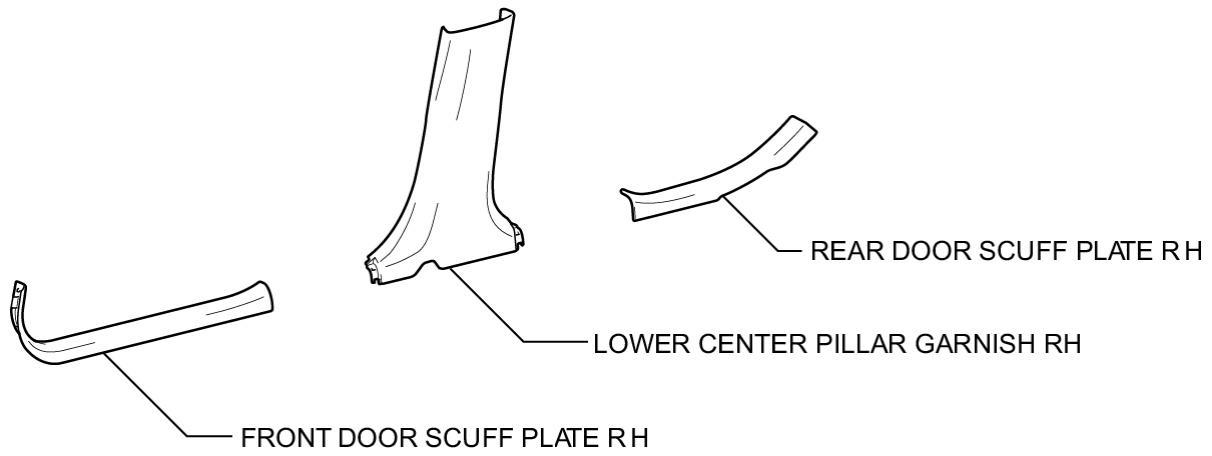
CONSOLE REAR END PANEL SUB-ASSEMBLY



CONSOLE BOX CARPET

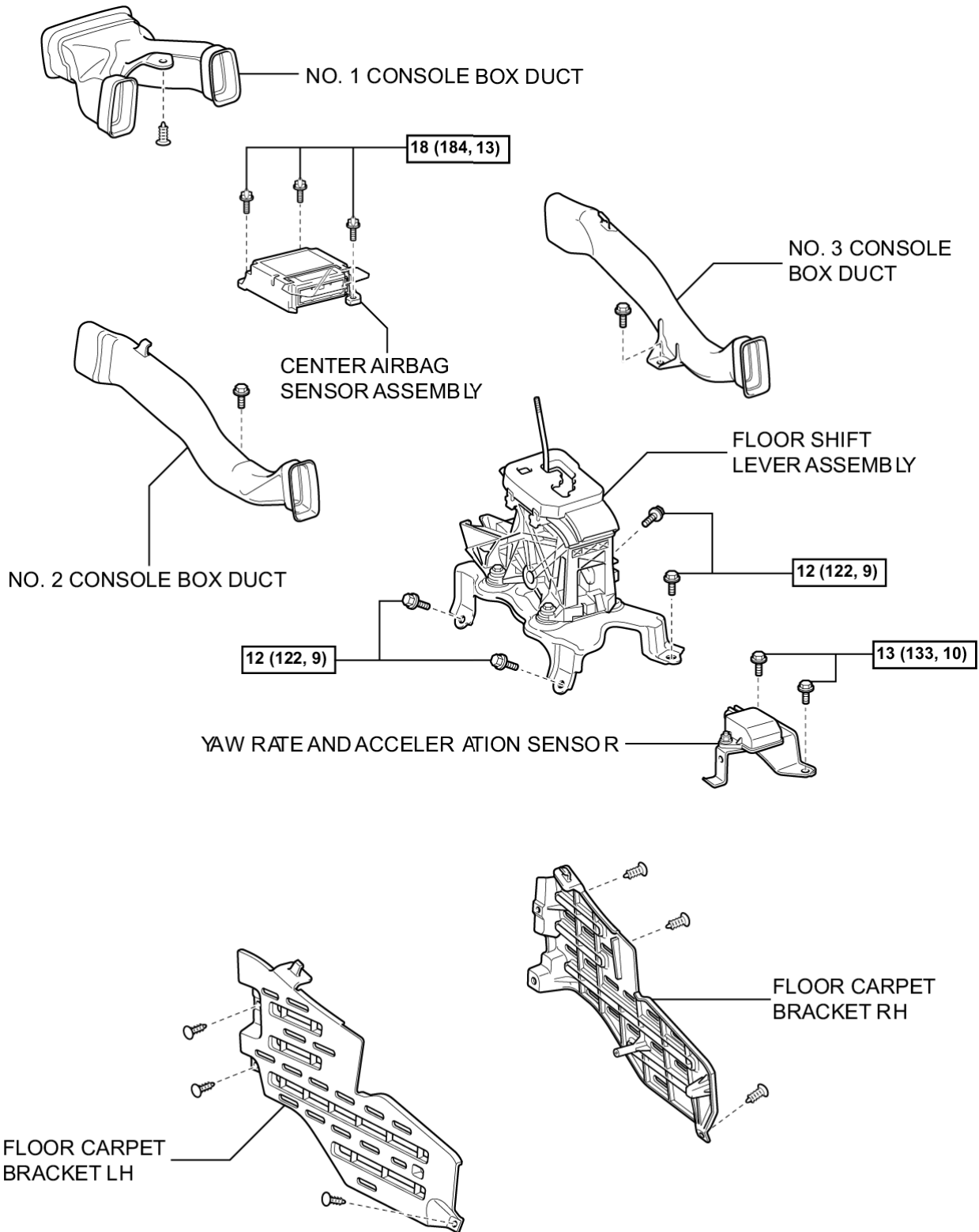
ILLUSTRATION





P

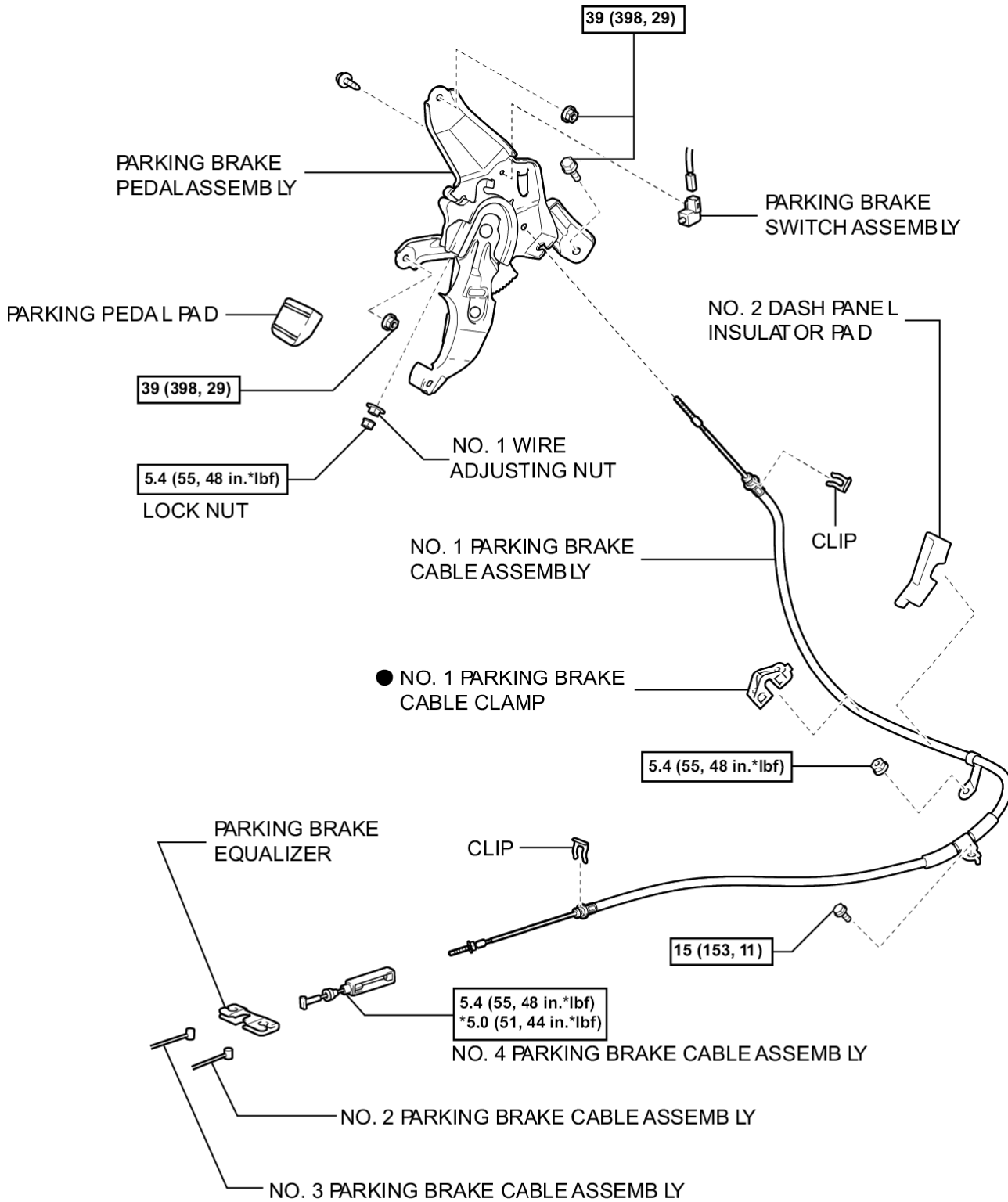
ILLUSTRATION



N*m (kgf*cm, ft.*lbf) : Specified torque

c

ILLUSTRATION



[N*m (kgf*cm, ft.*lbf)]: Specified torque

● Non-reusable part

* For use with SST