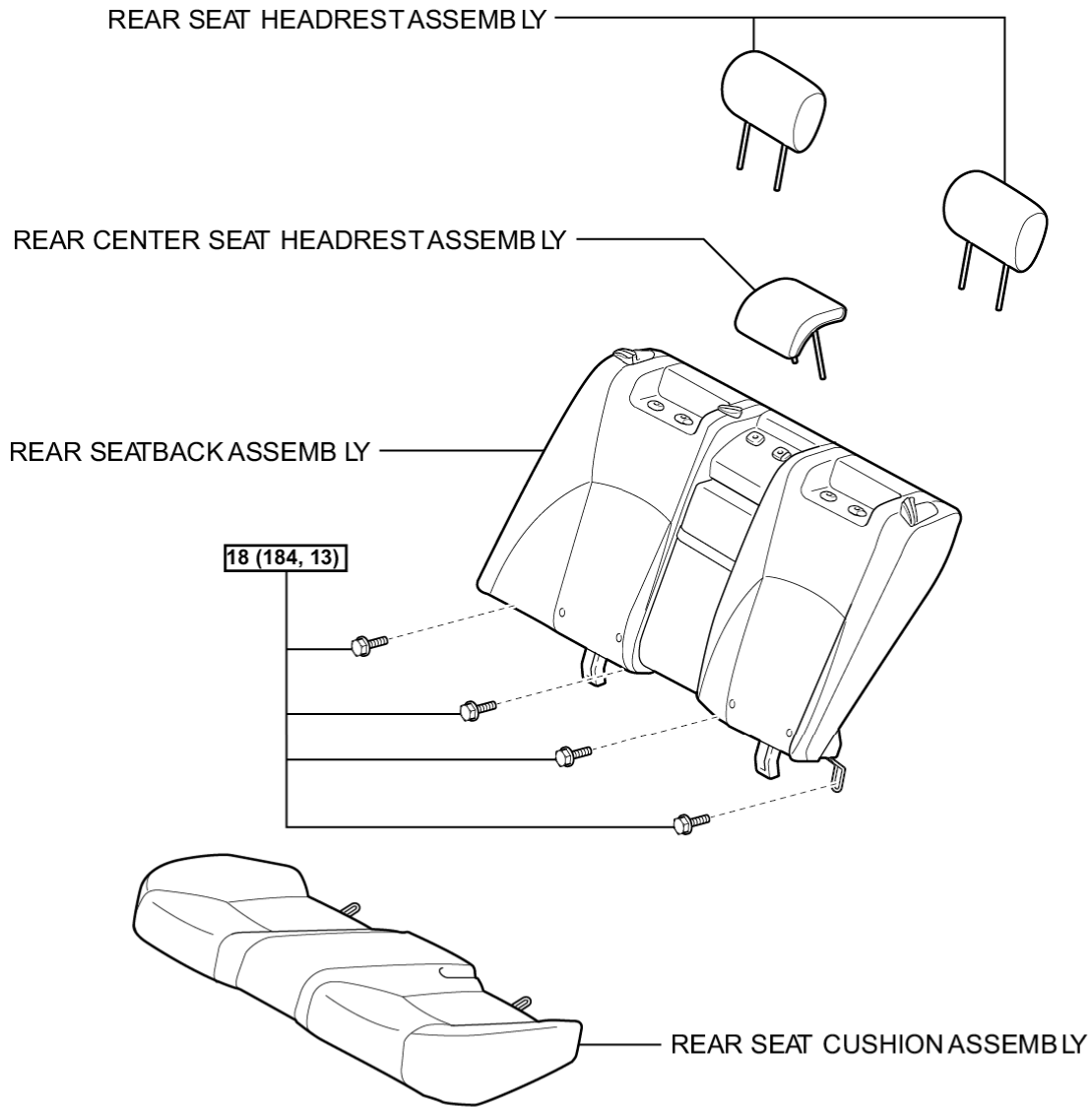


Last Modified: 7-13-2007		1.6 K
Service Category: Vehicle Exterior	Section: Sliding Roof/Convertible	
Model Year: 2008	Model: ES350	Doc ID: RM000001NYZ00MX
Title: SLIDING ROOF: SLIDING ROOF HOUSING (for Standard): COMPONENTS (2008 ES350)		

COMPONENTS

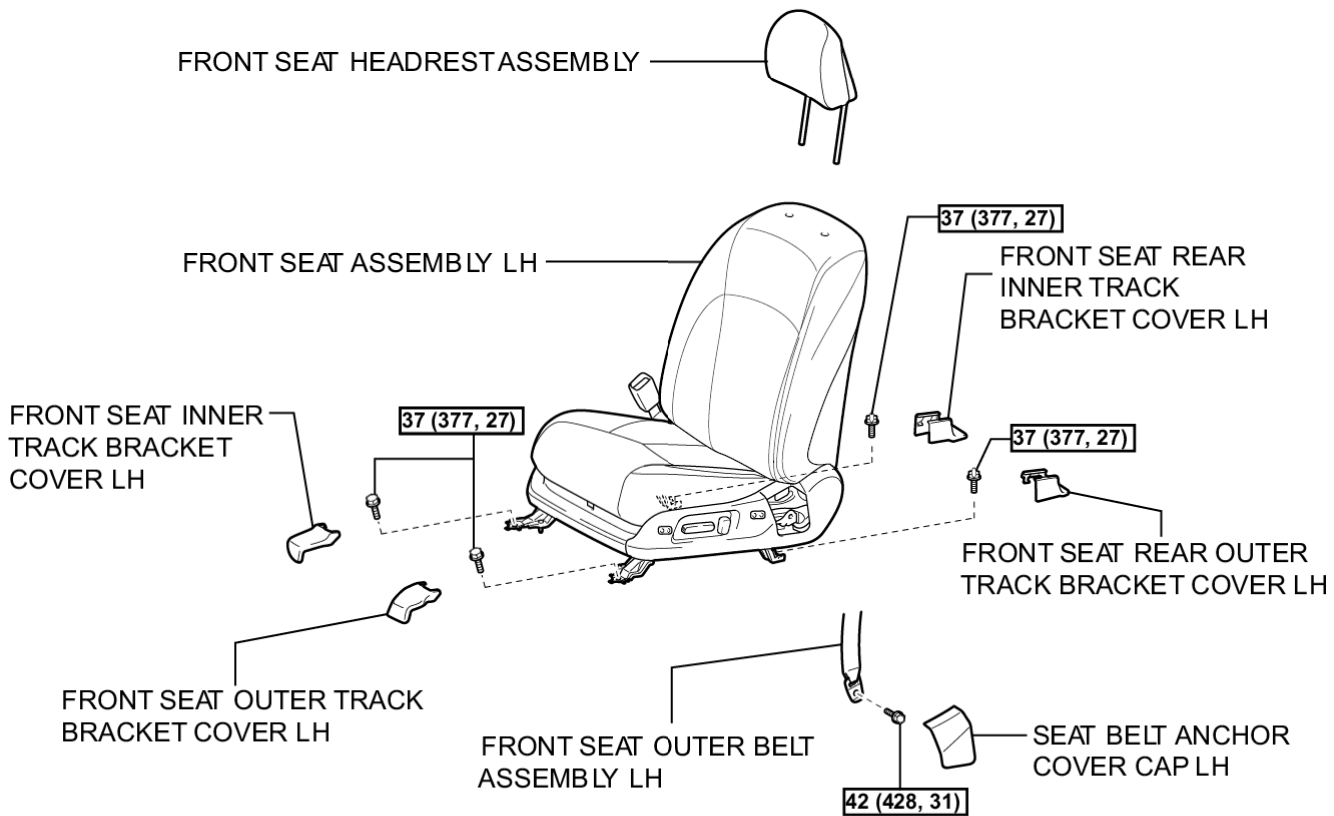
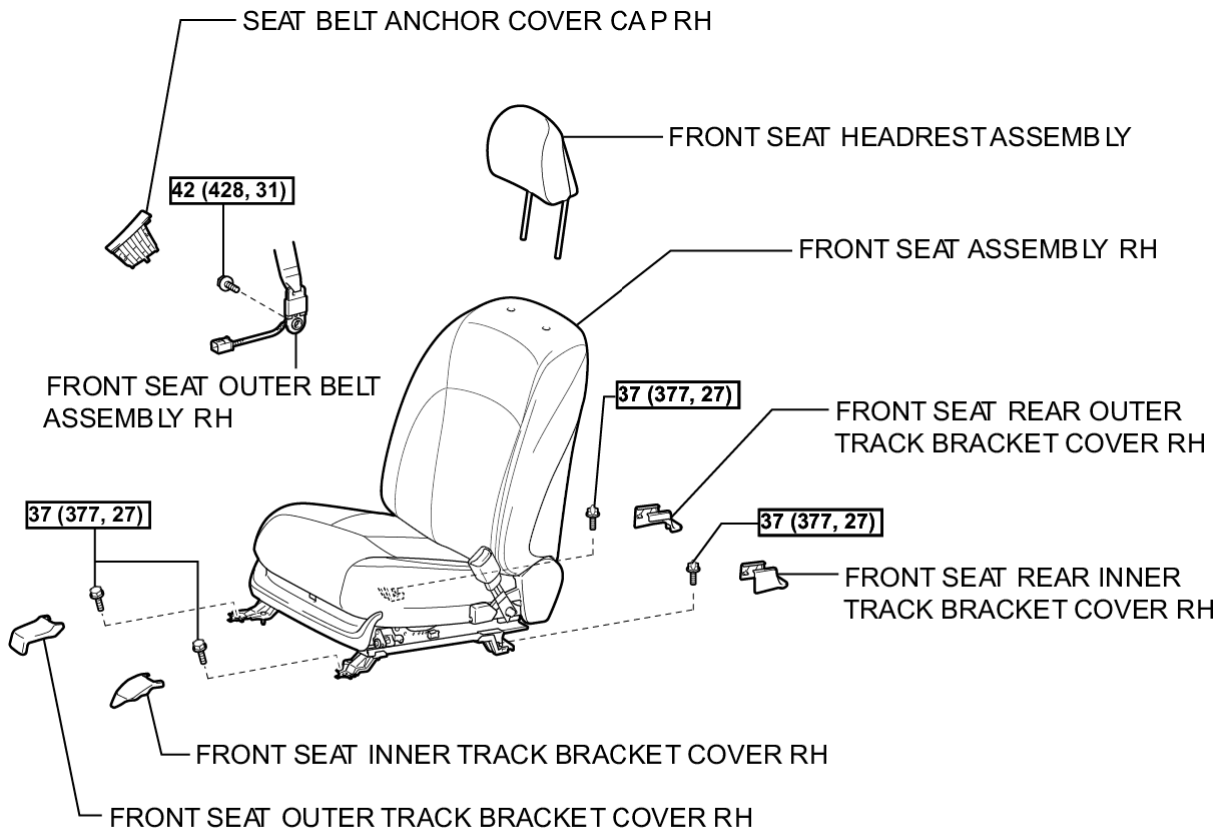
ILLUSTRATION



18 (184, 13): Specified torque

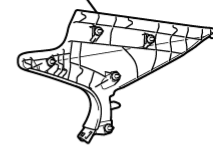
P

ILLUSTRATION



N*m (kgf*cm, ft.*lbf) : Specified torque

ROOF SIDE INNER GARNISH ASSEMBLY LH



UPPER CENTER PILLAR GARNISH LH

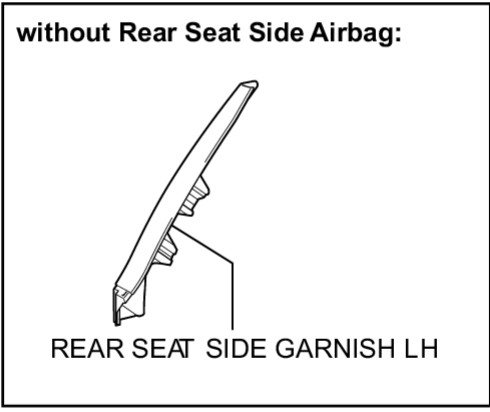


FRONT PILLAR GARNISH LH

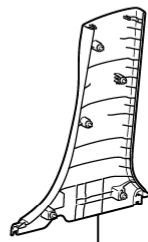


● FRONT PILLAR GARNISH CLIP

FRONT DOOR OPENING TRIM COVER LH



REAR DOOR SCUFF PLATE LH



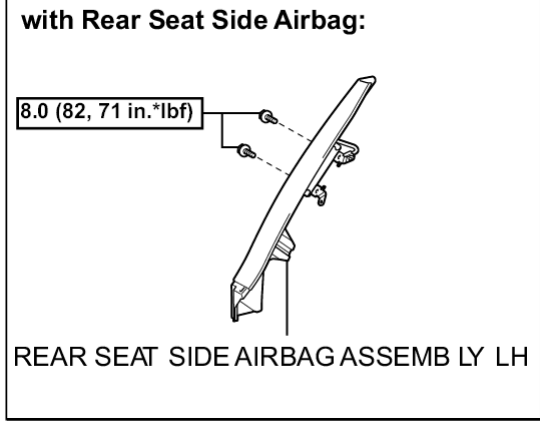
LOWER CENTER PILLAR GARNISH LH



FRONT DOOR SCUFF PLATE LH



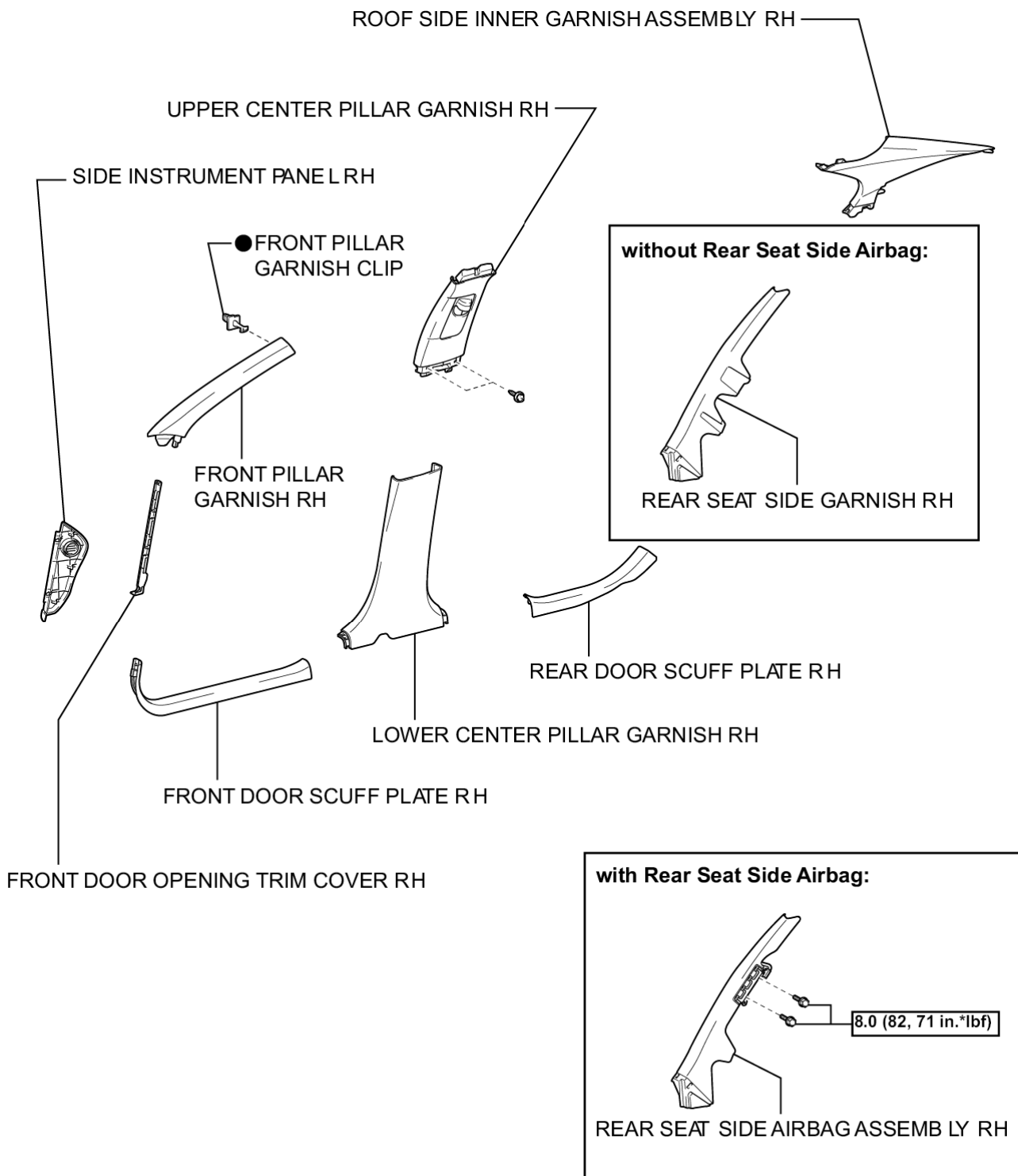
SIDE INSTRUMENT PANE L LH



N*m (kgf*cm, ft.*lbf) : Specified torque

● Non-reusable part

ILLUSTRATION

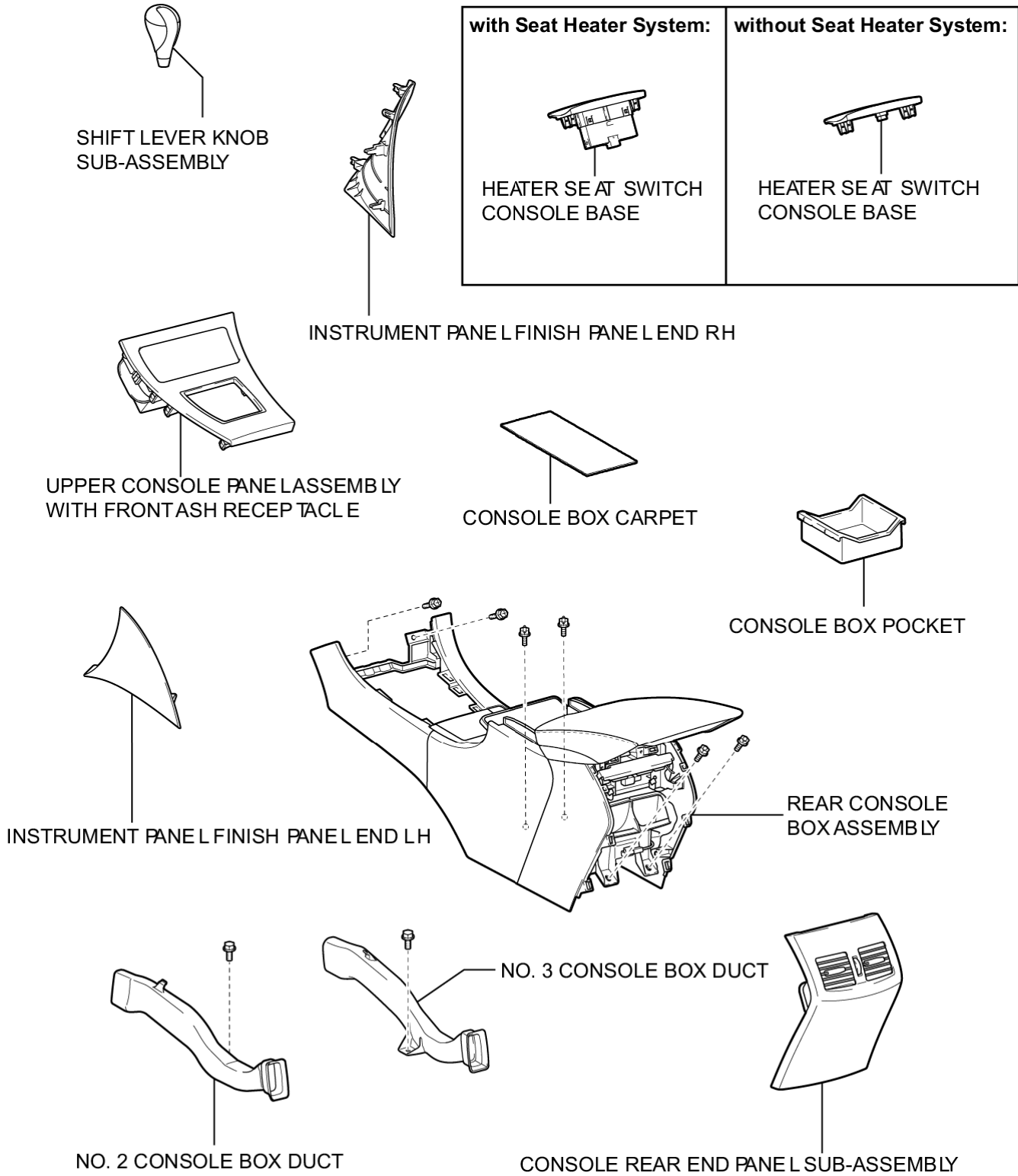


N*m (kgf*cm, ft.*lbf) : Specified torque

● Non-reusable part

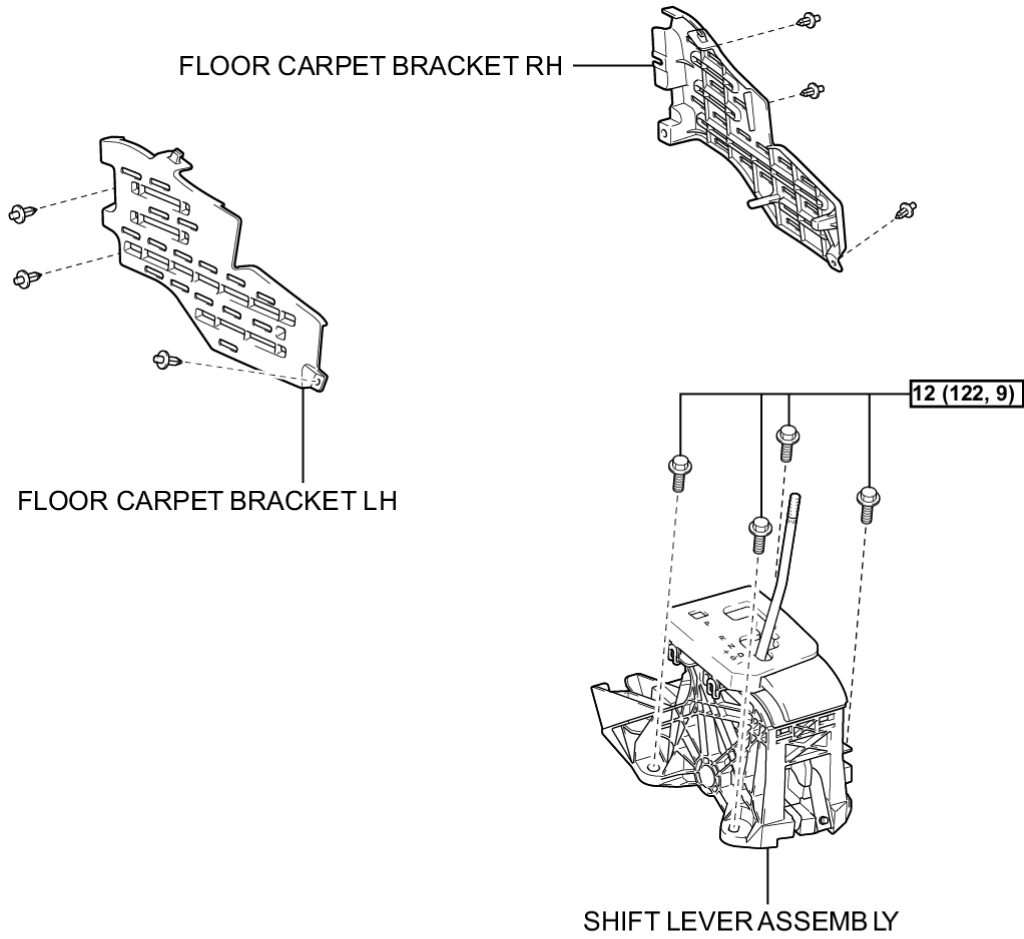
P

ILLUSTRATION



P

ILLUSTRATION

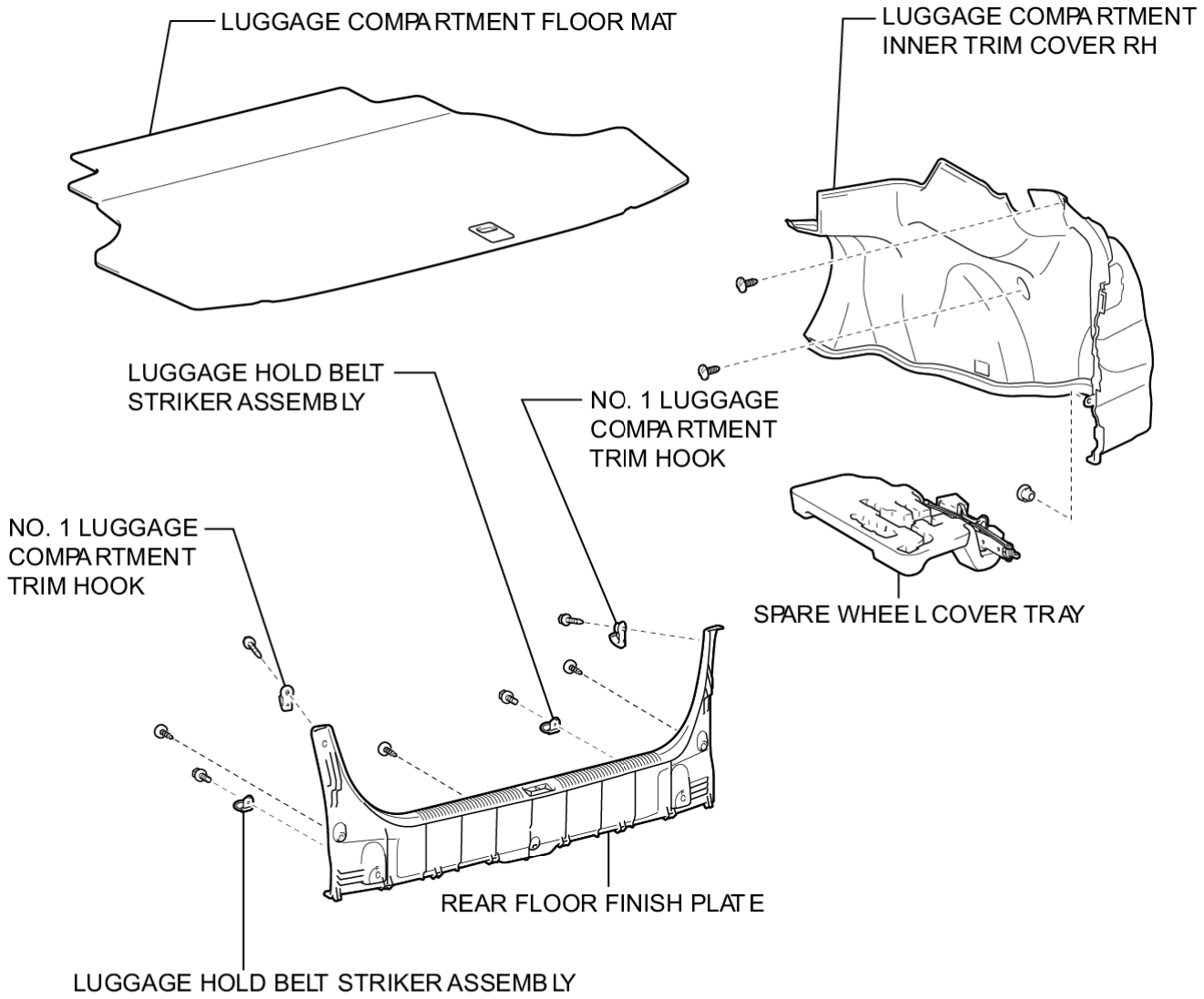


N*m (kgf*cm, ft.*lbf): Specified torque

P

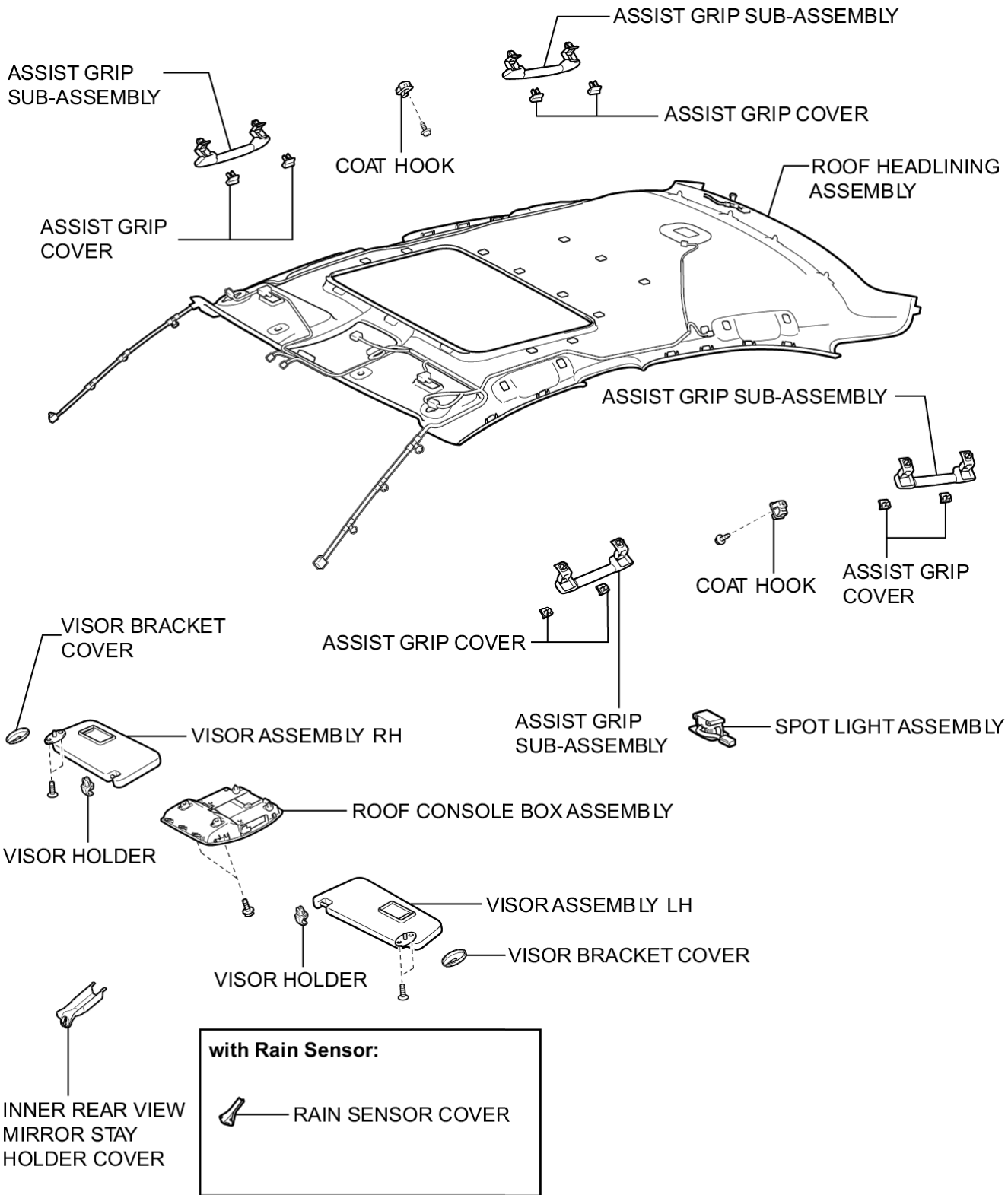
ILLUSTRATION

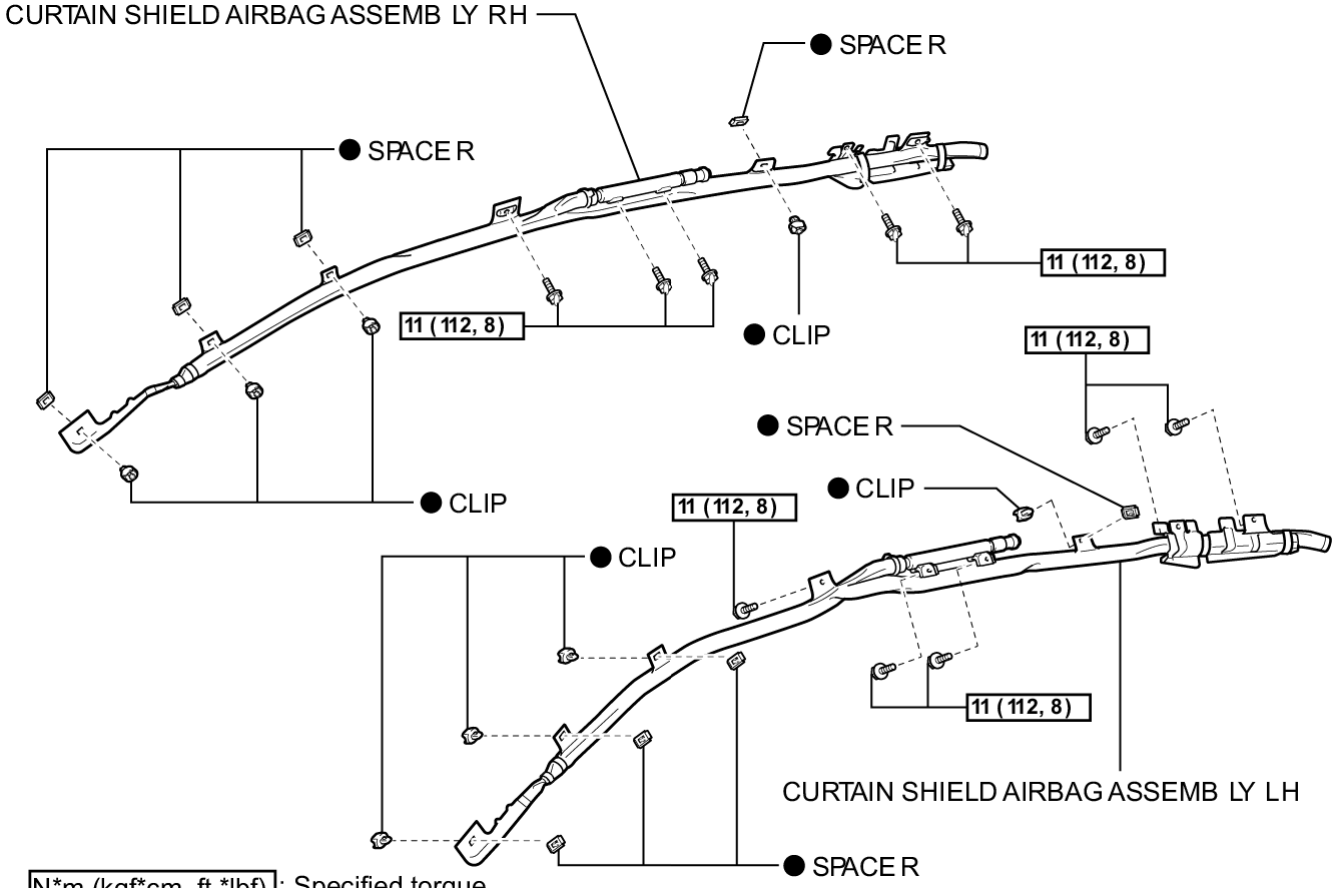
with DVD Player:



P

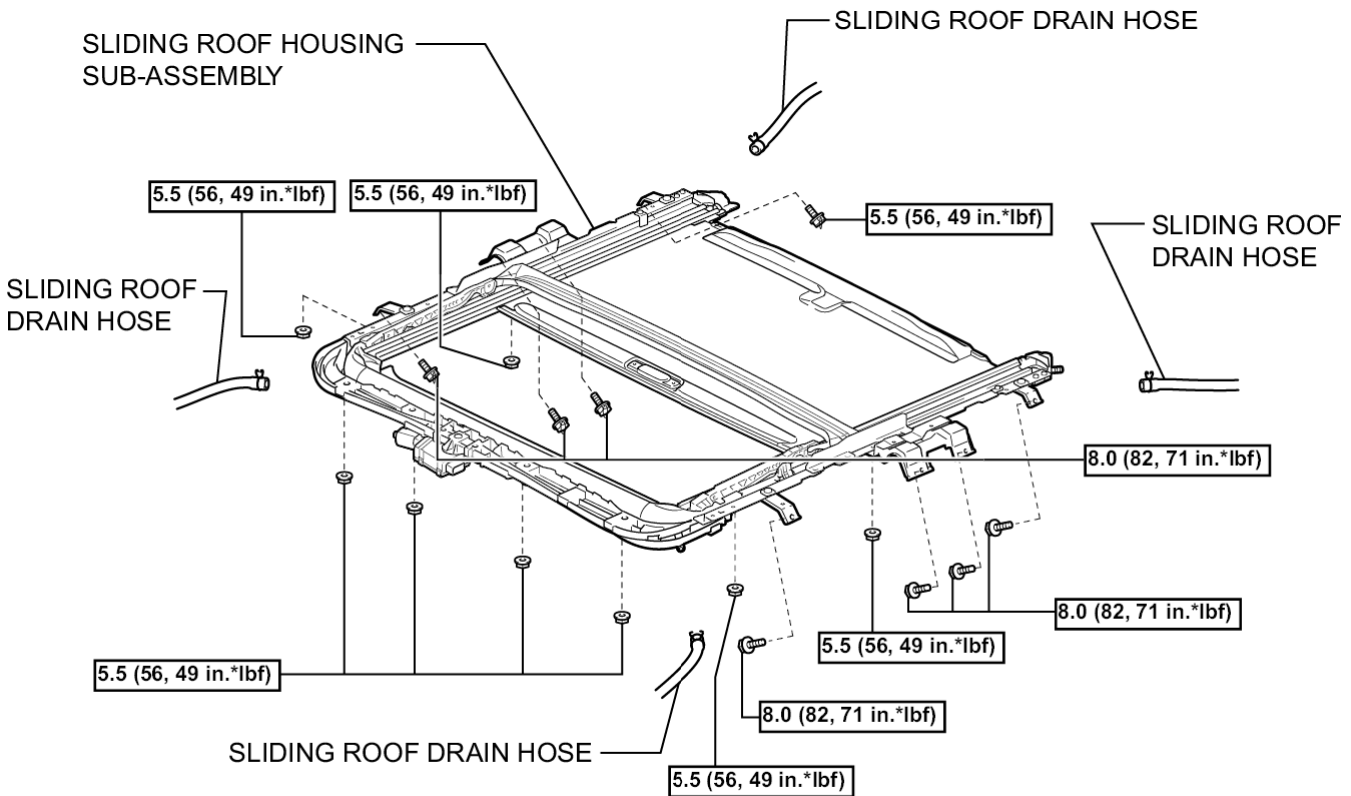
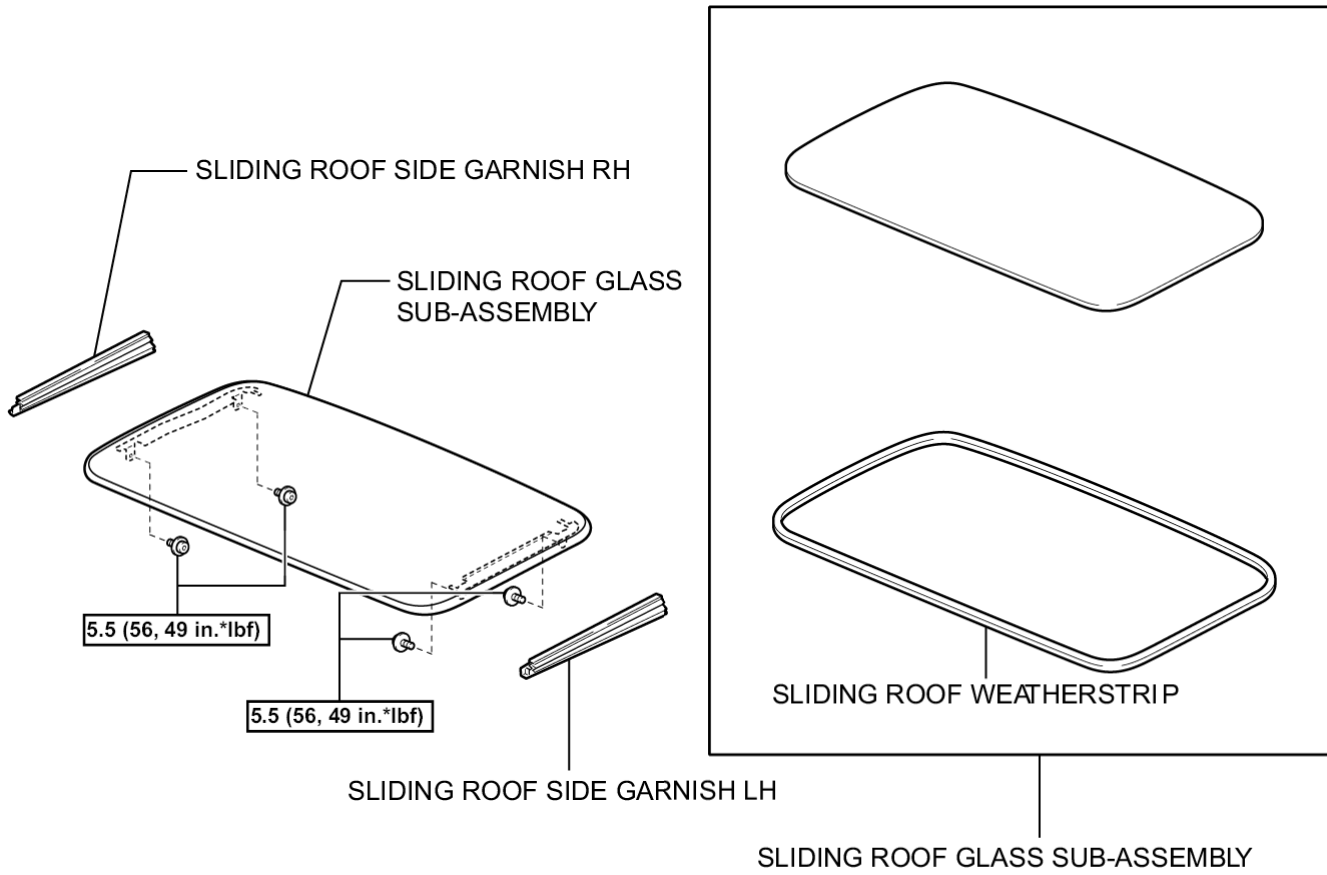
ILLUSTRATION





P

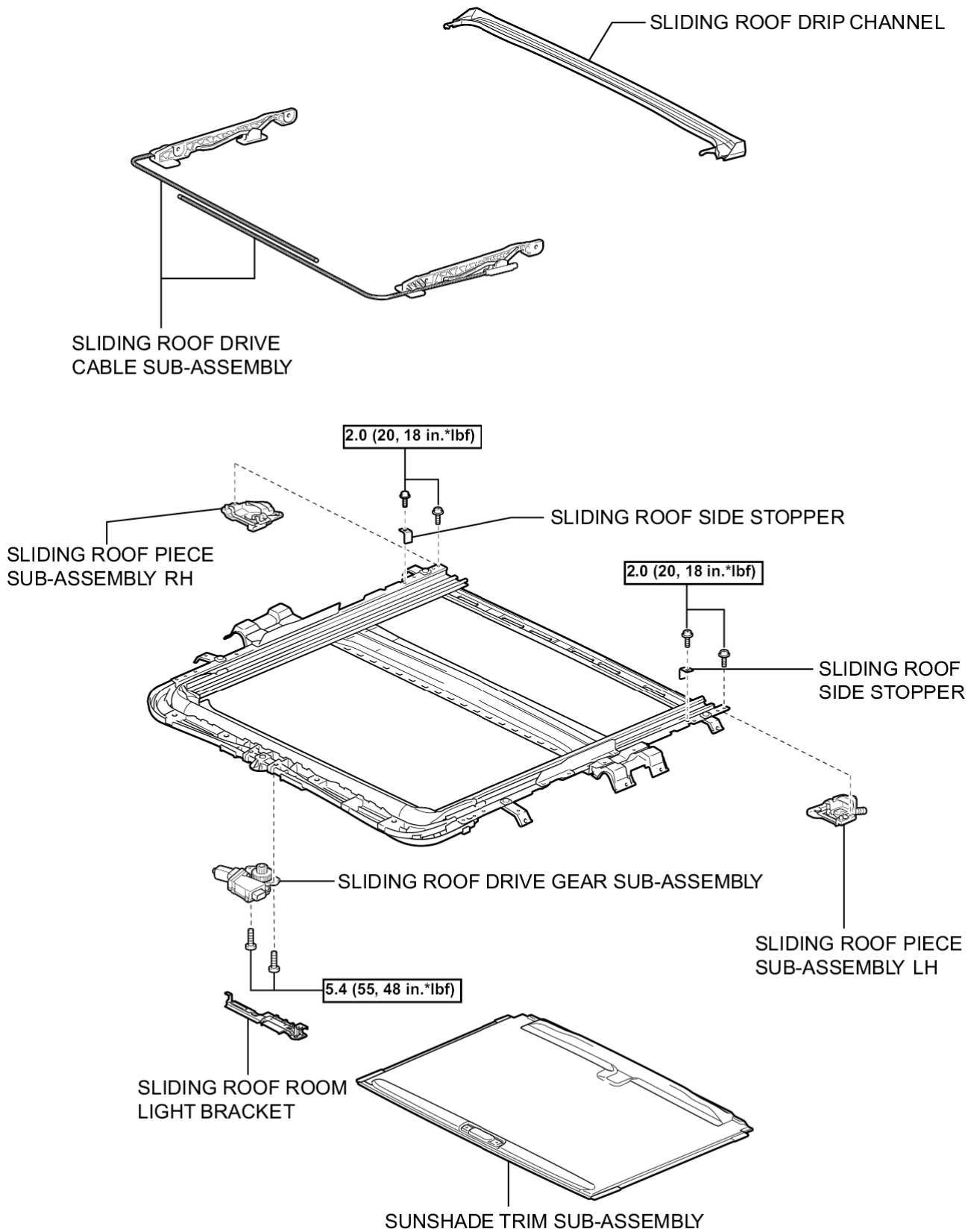
ILLUSTRATION



N*m (kgf*cm, ft.*lbf): Specified torque

P

ILLUSTRATION



N*m (kgf*cm, ft.*lbf) : Specified torque