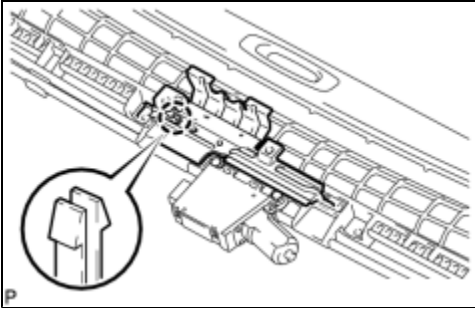


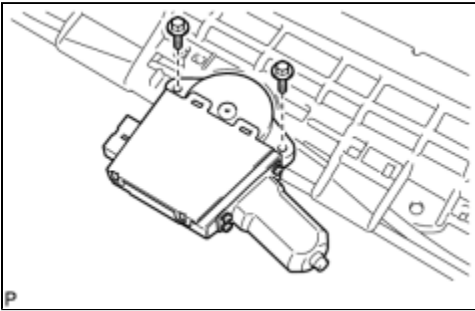
Last Modified: 7-13-2007		1.6 A
Service Category: Vehicle Exterior	Section: Sliding Roof/Convertible	
Model Year: 2008	Model: ES350	Doc ID: RM000001F2D00QX
Title: SLIDING ROOF: SLIDING ROOF HOUSING (for Standard): DISASSEMBLY (2008 ES350)		

DISASSEMBLY

1. REMOVE SLIDING ROOF DRIVE GEAR SUB-ASSEMBLY

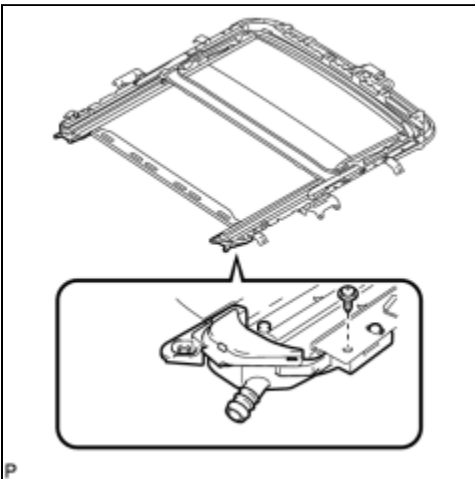


(a) Disengage the claw and remove the sliding roof room light bracket.



(b) Remove the 2 bolts and sliding roof drive gear sub-assembly.

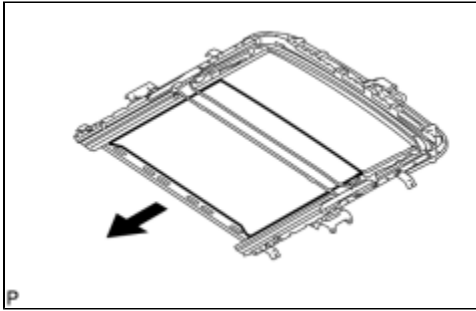
2. REMOVE SUNSHADE TRIM SUB-ASSEMBLY



(a) Remove the screw and sliding roof piece sub-assembly LH.

HINT:

Use the same procedure for the RH side and the LH side.

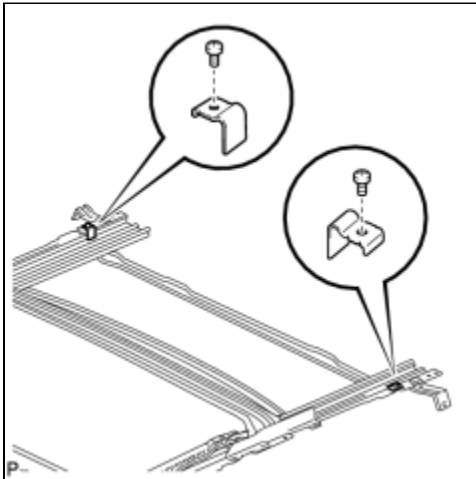


(b) Slide and remove the sunshade trim sub-assembly.

3. REMOVE SLIDING ROOF DRIVE CABLE SUB-ASSEMBLY

NOTICE:

Do not remove the sliding roof drive cable sub-assembly except when replacing it.



(a) Remove the 2 screws and sliding roof side stoppers.

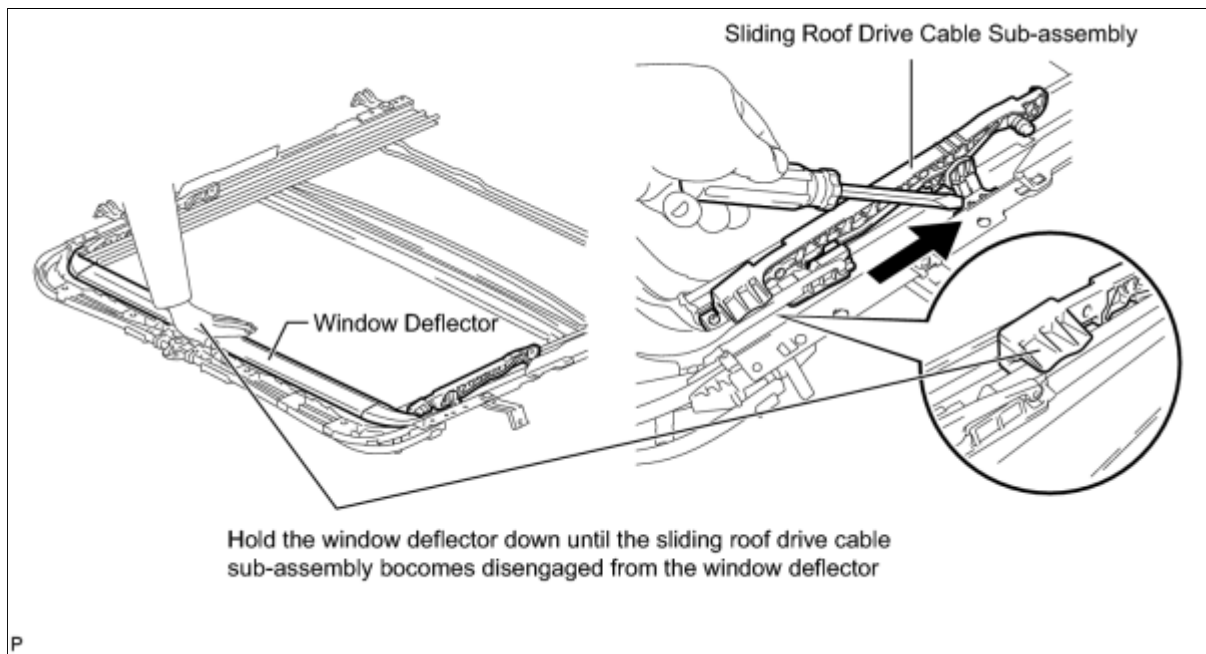


(b) Using a screwdriver, disengage the 2 claws. Then slide the sliding roof drip channel rearward to remove it.

HINT:

Tape the screwdriver tip before use.

(c) Using a screwdriver, slide the sliding roof drive cable sub-assembly in the direction indicated by the arrow in the illustration to remove it.



HINT:

Hold the window deflector down, as shown in the illustration, until the sliding roof drive cable sub-assembly becomes disengaged from the window deflector.

