

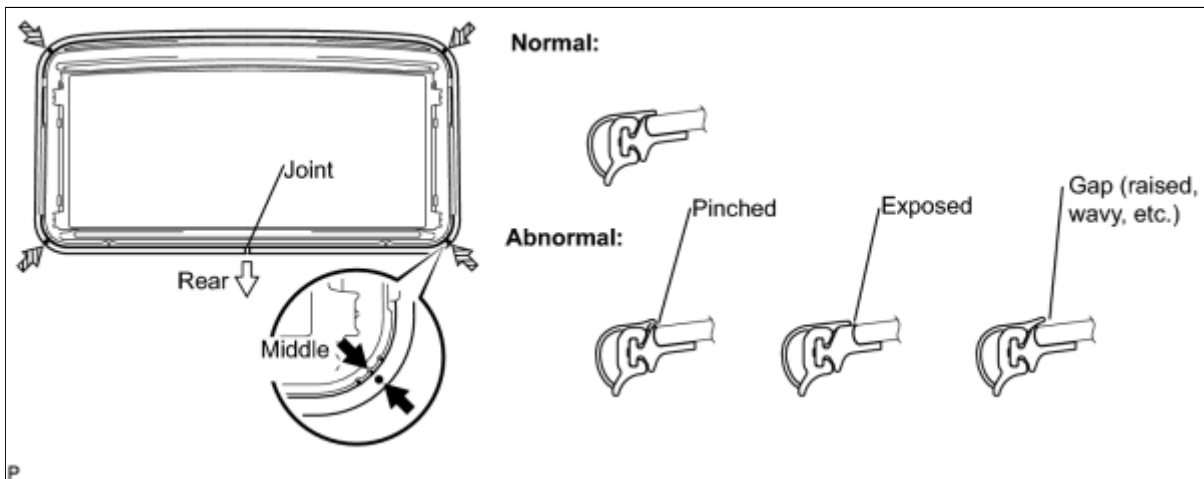
Last Modified: 7-13-2007		1.6 A
Service Category: Vehicle Exterior	Section: Sliding Roof/Convertible	
Model Year: 2008	Model: ES350	Doc ID: RM000001F2A00RX
Title: SLIDING ROOF: SLIDING ROOF HOUSING (for Standard): INSTALLATION (2008 ES350)		

INSTALLATION

1. INSTALL SLIDING ROOF WEATHERSTRIP

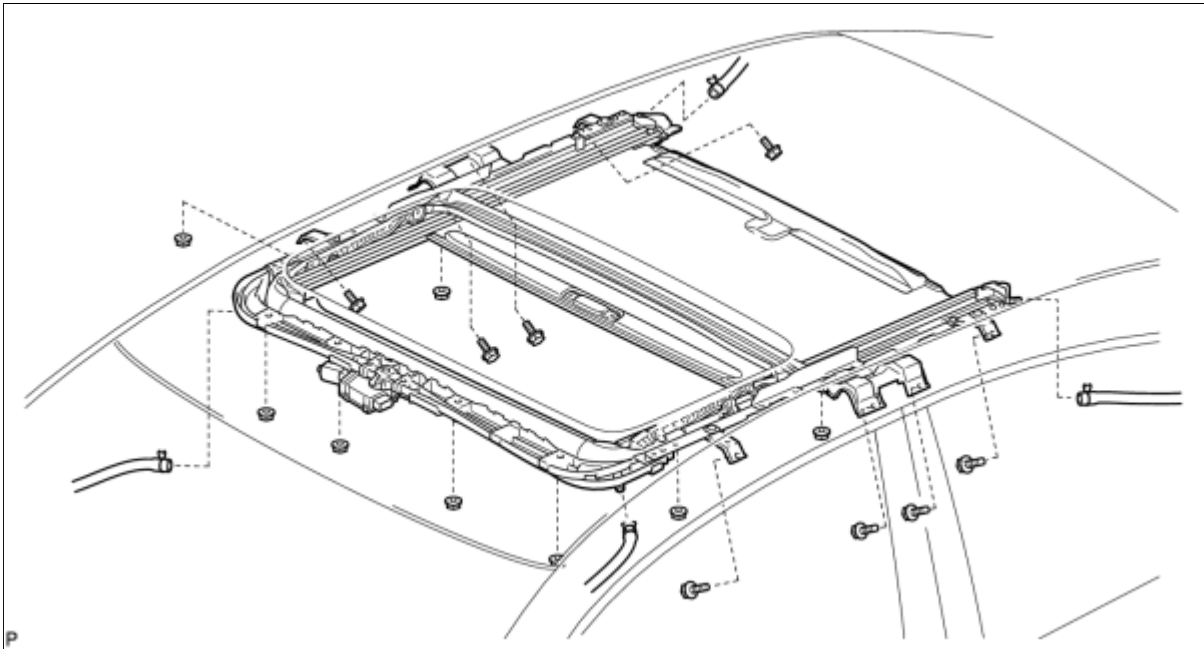
(a) Install the sliding roof weatherstrip as follows:

- (1) Position the joint of the weatherstrip at the rear center.
- (2) Align the marks on the weatherstrip with the middle marks at the corners of the plastic on the edge of the sliding roof panel and install the weatherstrip. Make sure that the marks on the weatherstrip are positioned within the area indicated by the marks at the corners of the plastic on the edge of the sliding roof panel.
- (3) Install the lip of the weatherstrip firmly.



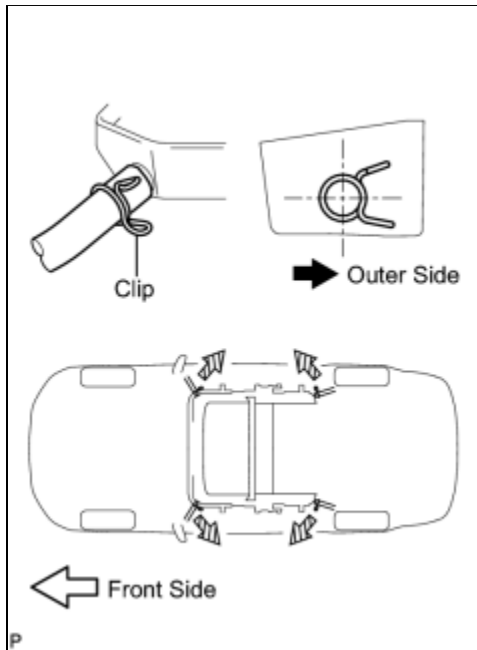
2. INSTALL SLIDING ROOF HOUSING SUB-ASSEMBLY

(a) Install the sliding roof housing sub-assembly with the 8 bolts and 8 nuts.



Torque: 5.5 N·m (56 kgf·cm, 49 in·lbf)

Torque: 8.0 N·m (82 kgf·cm, 71 in·lbf)



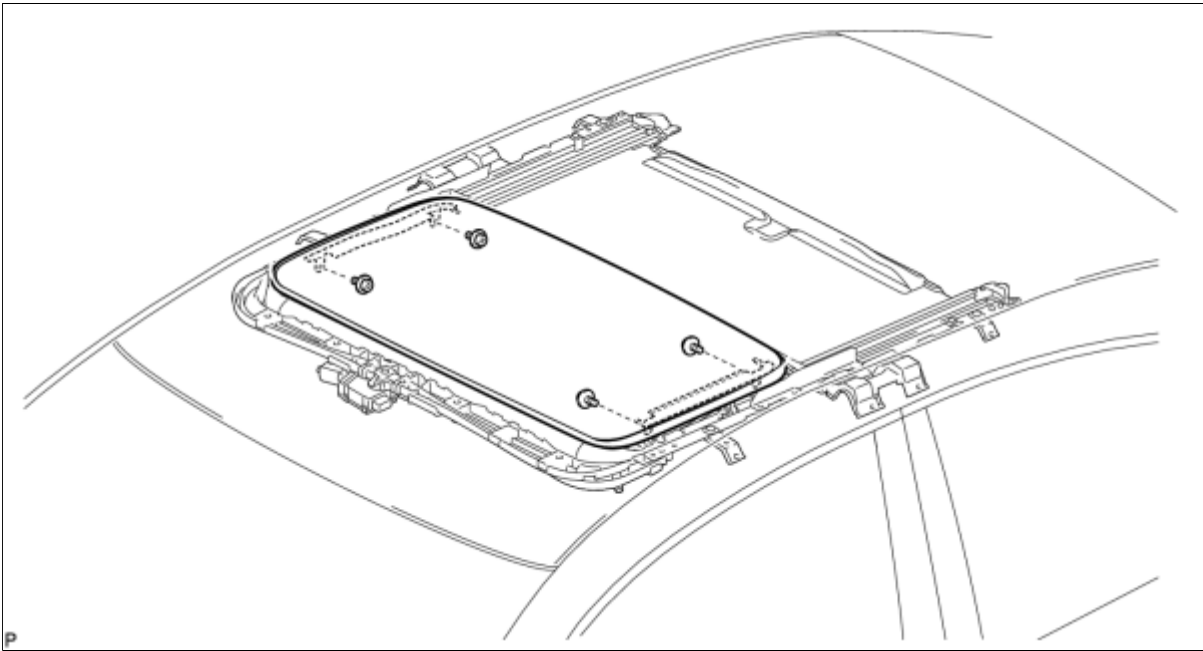
(b) Connect the 4 sliding roof drain hoses.

NOTICE:

The clip must face toward the outside of the vehicle and also be above the lower surface of the sliding roof housing when installing the drain hoses.

3. INSTALL SLIDING ROOF GLASS SUB-ASSEMBLY

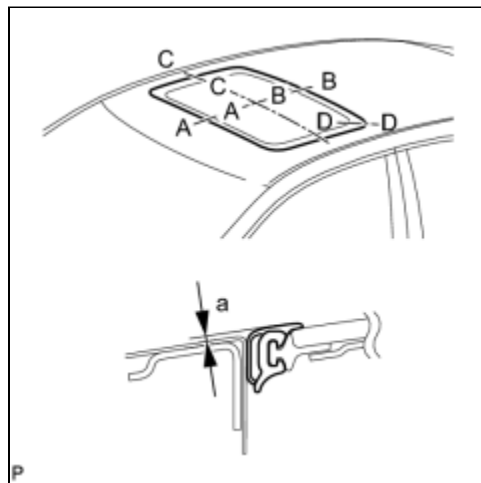
(a) Using a T25 "TORX" socket wrench, temporarily install the sliding roof glass sub-assembly with the 4 screws.



(b) Perform a level check.

(1) Check the difference in level at "a", between the roof panel and the upper surface of the weatherstrip, when the sliding roof glass is fully closed.

Standard:



AREA	MEASUREMENT
A - A	0 + 1.0 mm (0 + 0.039 in.) 0 - 2.0 mm (0 - 0.079 in.)
B - B	0 + 2.0 mm (0 + 0.079 in.) 0 - 1.0 mm (0 - 0.039 in.)
C - C	0 + 1.5 mm (0 + 0.059 in.) 0 - 1.5 mm (0 - 0.059 in.)
D - D	0 + 1.5 mm (0 + 0.059 in.) 0 - 1.0 mm (0 - 0.039 in.)

HINT:

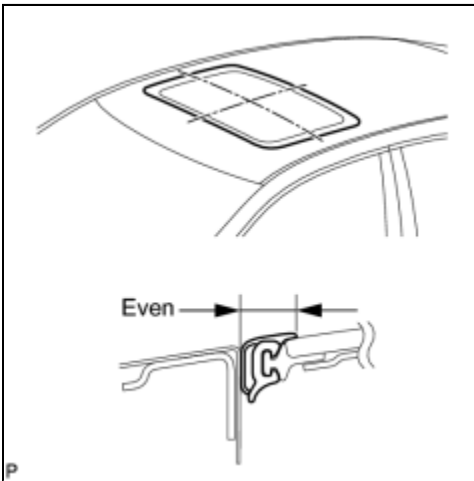
"+" represents the condition that the glass is above the panel level. "-" represents the condition that the glass is below the panel level.

(c) Perform a gap check.

(1) Check the gap between the roof panel and roof glass.

NOTICE:

The gap must be even all around.



(d) After adjusting the sliding roof glass, using a T25 "TORX" socket wrench, install the sliding roof glass sub-assembly with the 4 screws.

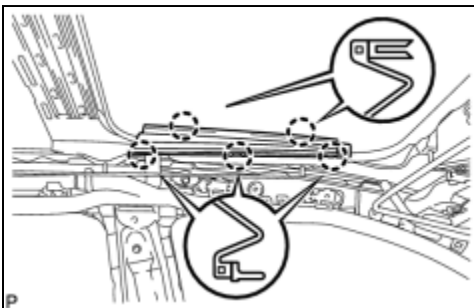
Torque: 5.5 N·m (56 kgf·cm, 49 in·lbf)

4. INSPECT FOR WATER LEAKS

(a) After adjusting the sliding roof glass sub-assembly, inspect for water leaks.

(b) If there are any leaks, readjust the sliding roof glass sub-assembly.

5. INSTALL SLIDING ROOF SIDE GARNISH LH



(a) Engage the 5 claws and install the sliding roof side garnish LH.

6. INSTALL SLIDING ROOF SIDE GARNISH RH

HINT:

Use the same procedure for the RH side and the LH side.

7. INSTALL CURTAIN SHIELD AIRBAG ASSEMBLY LH INFO

8. INSTALL CURTAIN SHIELD AIRBAG ASSEMBLY RH

HINT:

Use the same procedure for the RH side and the LH side.

9. INSTALL ROOF HEADLINING ASSEMBLY INFO

10. INSTALL ASSIST GRIP SUB-ASSEMBLY [INFO](#)
11. INSTALL SPOT LIGHT ASSEMBLY [INFO](#)
12. INSTALL COAT HOOK [INFO](#)
13. INSTALL VISOR HOLDER [INFO](#)
14. INSTALL VISOR ASSEMBLY LH [INFO](#)
15. INSTALL VISOR ASSEMBLY RH [INFO](#)
16. INSTALL VISOR BRACKET COVER [INFO](#)
17. INSTALL ROOF CONSOLE BOX ASSEMBLY [INFO](#)
18. INSTALL RAIN SENSOR COVER (w/ Rain Sensor) [INFO](#)
19. INSTALL INNER REAR VIEW MIRROR STAY HOLDER COVER [INFO](#)
20. CONNECT STEREO COMPONENT AMPLIFIER ASSEMBLY CONNECTOR (w/ DVD Player) [INFO](#)
21. INSTALL LUGGAGE COMPARTMENT INNER TRIM COVER RH (w/ DVD Player) [INFO](#)
22. INSTALL REAR FLOOR FINISH PLATE (w/ DVD Player) [INFO](#)
23. INSTALL NO. 1 LUGGAGE COMPARTMENT TRIM HOOK (w/ DVD Player) [INFO](#)
24. INSTALL LUGGAGE HOLD BELT STRIKER ASSEMBLY (w/ DVD Player) [INFO](#)
25. INSTALL SPARE WHEEL COVER TRAY
26. INSTALL LUGGAGE COMPARTMENT FLOOR MAT
27. INSTALL FLOOR CARPET BRACKET LH
28. INSTALL FLOOR CARPET BRACKET RH
29. INSTALL SHIFT LEVER ASSEMBLY [INFO](#)
30. CONNECT TRANSMISSION CONTROL CABLE ASSEMBLY [INFO](#)
31. INSTALL NO. 2 CONSOLE BOX DUCT [INFO](#)
32. INSTALL NO. 3 CONSOLE BOX DUCT [INFO](#)
33. INSTALL REAR CONSOLE BOX ASSEMBLY [INFO](#)
34. INSTALL CONSOLE REAR END PANEL SUB-ASSEMBLY [INFO](#)

35. INSTALL CONSOLE BOX CARPET [INFO](#)
36. INSTALL CONSOLE BOX POCKET [INFO](#)
37. INSTALL HEATER SEAT SWITCH CONSOLE BASE (w/o Seat Heater System) [INFO](#)
38. INSTALL HEATER SEAT SWITCH CONSOLE BASE (w/ Seat Heater System) [INFO](#)
39. INSTALL UPPER CONSOLE PANEL ASSEMBLY WITH FRONT ASH RECEPTACLE [INFO](#)
40. INSTALL SHIFT LEVER KNOB SUB-ASSEMBLY [INFO](#)
41. INSTALL INSTRUMENT PANEL FINISH PANEL END LH [INFO](#)
42. INSTALL INSTRUMENT PANEL FINISH PANEL END RH [INFO](#)
43. INSTALL ROOF SIDE INNER GARNISH ASSEMBLY LH [INFO](#)
44. INSTALL REAR SEAT SIDE GARNISH LH (w/o Rear Seat Side Airbag) [INFO](#)
45. INSTALL REAR SEAT SIDE AIRBAG ASSEMBLY LH (w/ Rear Seat Side Airbag) [INFO](#)
46. INSTALL UPPER CENTER PILLAR GARNISH LH [INFO](#)
47. INSTALL LOWER CENTER PILLAR GARNISH LH [INFO](#)
48. INSTALL REAR DOOR SCUFF PLATE LH [INFO](#)
49. INSTALL FRONT PILLAR GARNISH LH [INFO](#)
50. INSTALL SIDE INSTRUMENT PANEL LH [INFO](#)
51. INSTALL FRONT DOOR OPENING TRIM COVER LH [INFO](#)
52. INSTALL FRONT DOOR SCUFF PLATE LH [INFO](#)
53. INSTALL ROOF SIDE INNER GARNISH ASSEMBLY RH [INFO](#)
54. INSTALL REAR SEAT SIDE GARNISH RH (w/o Rear Seat Side Airbag) [INFO](#)
55. INSTALL REAR SEAT SIDE AIRBAG ASSEMBLY RH (w/ Rear Seat Side Airbag) [INFO](#)
56. INSTALL UPPER CENTER PILLAR GARNISH RH [INFO](#)
57. INSTALL LOWER CENTER PILLAR GARNISH RH [INFO](#)
58. INSTALL REAR DOOR SCUFF PLATE RH [INFO](#)
59. INSTALL FRONT PILLAR GARNISH RH [INFO](#)

- 60. INSTALL SIDE INSTRUMENT PANEL RH [INFO](#)
- 61. INSTALL FRONT DOOR OPENING TRIM COVER RH [INFO](#)
- 62. INSTALL FRONT DOOR SCUFF PLATE RH [INFO](#)
- 63. INSTALL FRONT SEAT ASSEMBLY LH [INFO](#)
- 64. INSTALL FRONT SEAT REAR OUTER TRACK BRACKET COVER LH [INFO](#)
- 65. INSTALL FRONT SEAT REAR INNER TRACK BRACKET COVER LH [INFO](#)
- 66. INSTALL FRONT SEAT OUTER TRACK BRACKET COVER LH [INFO](#)
- 67. INSTALL FRONT SEAT INNER TRACK BRACKET COVER LH [INFO](#)
- 68. CONNECT FRONT SEAT OUTER BELT ASSEMBLY LH [INFO](#)
- 69. INSTALL SEAT BELT ANCHOR COVER CAP LH [INFO](#)
- 70. INSTALL FRONT SEAT HEADREST ASSEMBLY (for Driver Seat)
- 71. INSTALL FRONT SEAT ASSEMBLY RH [INFO](#)
- 72. INSTALL FRONT SEAT REAR OUTER TRACK BRACKET COVER RH [INFO](#)
- 73. INSTALL FRONT SEAT REAR INNER TRACK BRACKET COVER RH [INFO](#)
- 74. INSTALL FRONT SEAT OUTER TRACK BRACKET COVER RH [INFO](#)
- 75. INSTALL FRONT SEAT INNER TRACK BRACKET COVER RH [INFO](#)
- 76. CONNECT FRONT SEAT OUTER BELT ASSEMBLY RH [INFO](#)
- 77. INSTALL SEAT BELT ANCHOR COVER CAP RH [INFO](#)
- 78. INSTALL FRONT SEAT HEADREST ASSEMBLY (for Front Passenger Seat)
- 79. INSTALL REAR SEATBACK ASSEMBLY [INFO](#)
- 80. INSTALL REAR CENTER SEAT HEADREST ASSEMBLY
- 81. INSTALL REAR SEAT HEADREST ASSEMBLY
- 82. INSTALL REAR SEAT CUSHION ASSEMBLY [INFO](#)
- 83. PERFORM INITIALIZATION

NOTICE:

Some systems need initialization after reconnecting the cable to the negative battery terminal  .

84. RESET SLIDING ROOF DRIVE GEAR SUB-ASSEMBLY



85. INSPECT SLIDING ROOF SYSTEM



86. INSPECT SHIFT LEVER POSITION

87. ADJUST SHIFT LEVER POSITION

88. INSPECT FRONT SEAT ASSEMBLY

89. INSPECT SRS WARNING LIGHT



