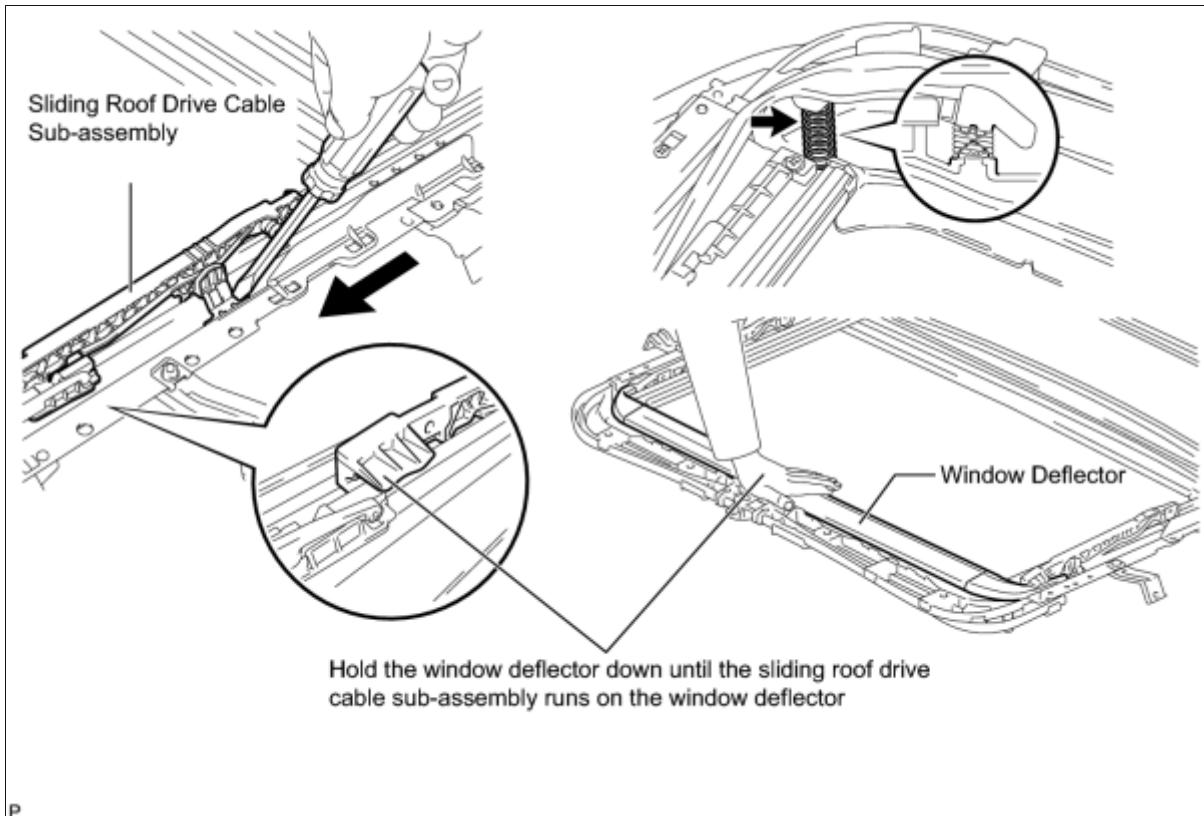


Last Modified: 7-13-2007		1.6 A
Service Category: Vehicle Exterior		Section: Sliding Roof/Convertible
Model Year: 2008	Model: ES350	Doc ID: RM000001F2E00QX
Title: SLIDING ROOF: SLIDING ROOF HOUSING (for Standard): REASSEMBLY (2008 ES350)		

REASSEMBLY

1. INSTALL SLIDING ROOF DRIVE CABLE SUB-ASSEMBLY

- (a) Using a screwdriver, slide the sliding roof drive cable sub-assembly in the direction indicated by the arrow in the illustration to install it.



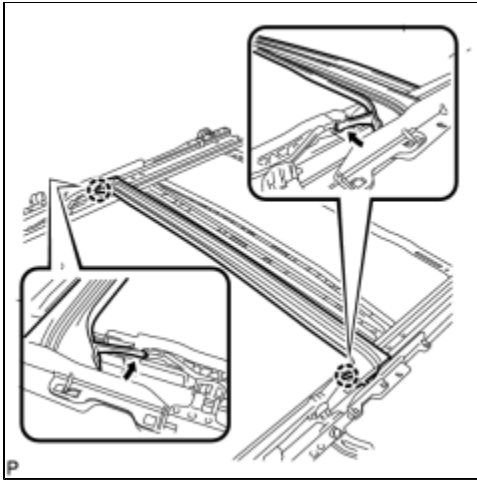
NOTICE:

Make sure that the spring indicated by the arrow in the illustration is securely installed.

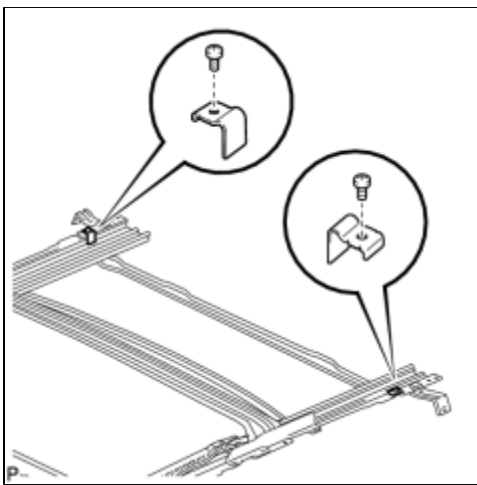
HINT:

Hold the window deflector down, as shown in the illustration, until the sliding roof drive cable sub-assembly runs on the window deflector.

- (b) Using a screwdriver, slide the sliding roof drive cable sub-assembly in the direction indicated by the arrow in the illustration to install it.



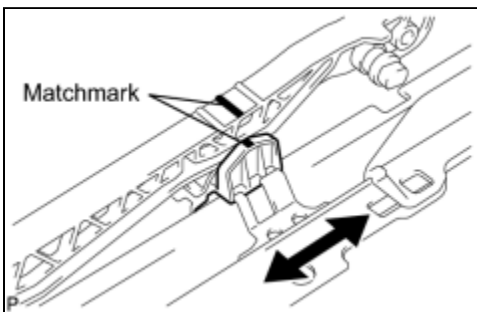
(c) Engage the 2 claws and install the sliding roof drip channel.



(d) Install the 2 sliding roof side stoppers with the 2 screws.

Torque: 2.0 N·m (20 kgf·cm, 18 in·lbf)

2. ADJUST FULLY CLOSED POSITION



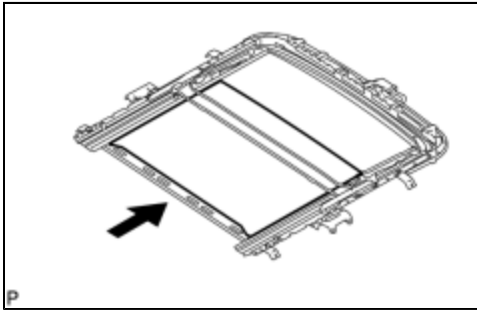
(a) Using a screwdriver, slide the sliding roof drive cable sub-assembly in either direction as indicated by the arrows in the illustration and align the matchmarks.

HINT:

Tape the screwdriver tip before use.

3. INSTALL SUNSHADE TRIM SUB-ASSEMBLY

(a) Insert the sunshade trim into the sliding roof housing sub-assembly.

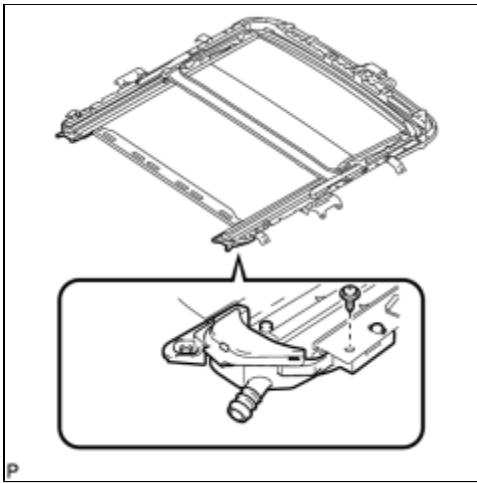


(b) Install the sliding roof piece sub-assembly LH with the screw.

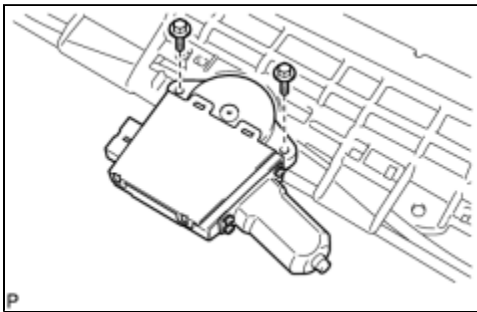
Torque: 2.0 N·m (20 kgf·cm, 18 in·lbf)

HINT:

Use the same procedure for the RH side and the LH side.

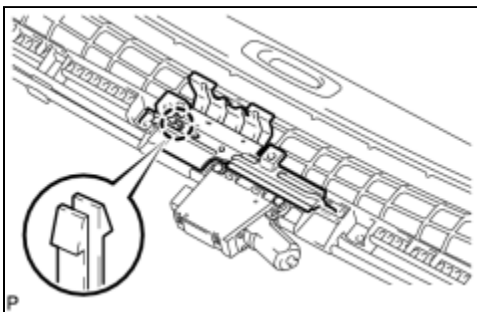


4. INSTALL SLIDING ROOF DRIVE GEAR SUB-ASSEMBLY



(a) Install the sliding roof drive gear sub-assembly with the 2 bolts.

Torque: 5.4 N·m (55 kgf·cm, 48 in·lbf)



(b) Engage the claw and install the sliding roof room light bracket.