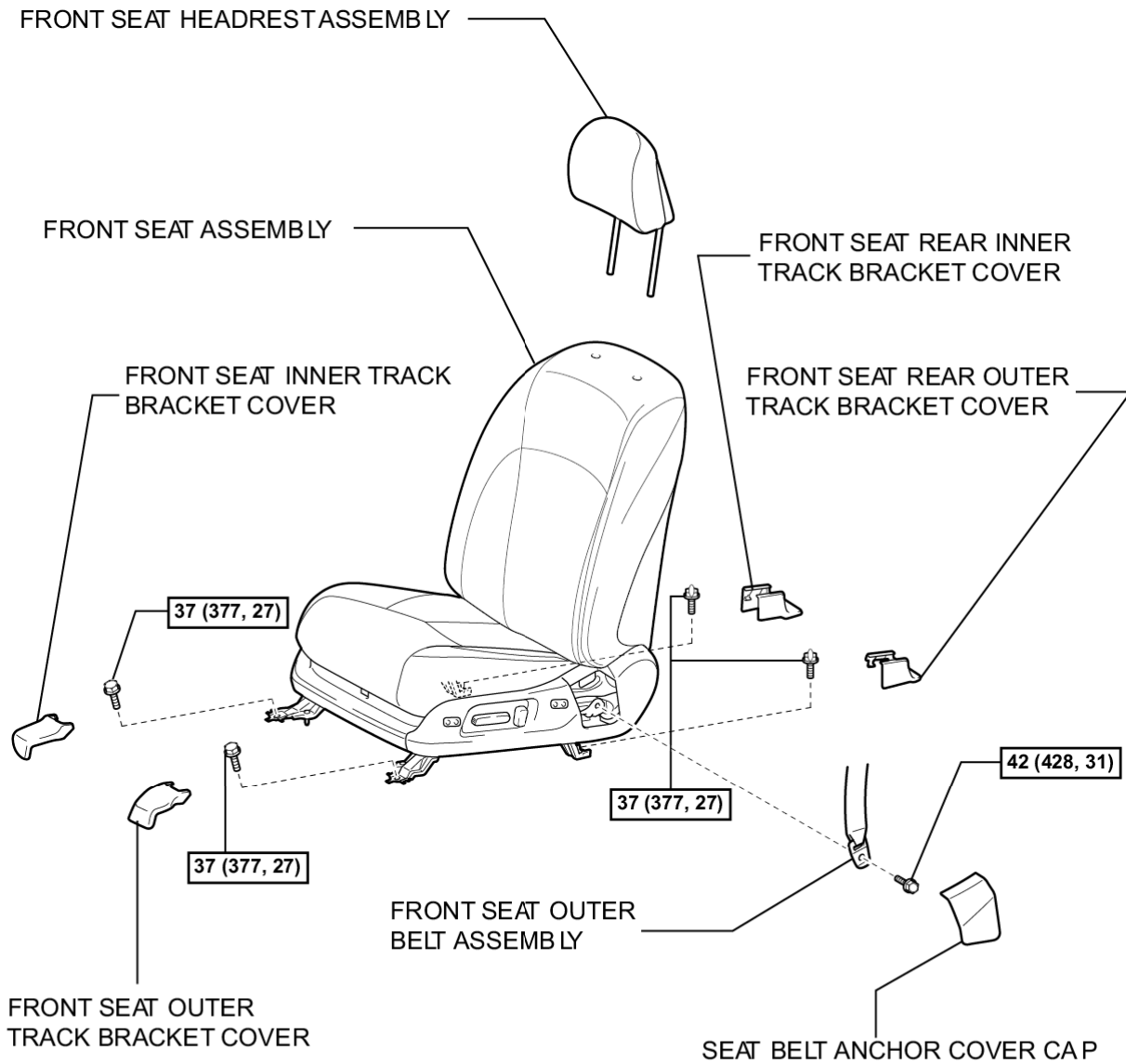


Last Modified: 7-13-2007		1.7 K
Service Category: Vehicle Interior	Section: Seat	
Model Year: 2008	Model: ES350	Doc ID: RM000001OGZ003X
Title: SEAT: FRONT SEAT ASSEMBLY: COMPONENTS (2008 ES350)		

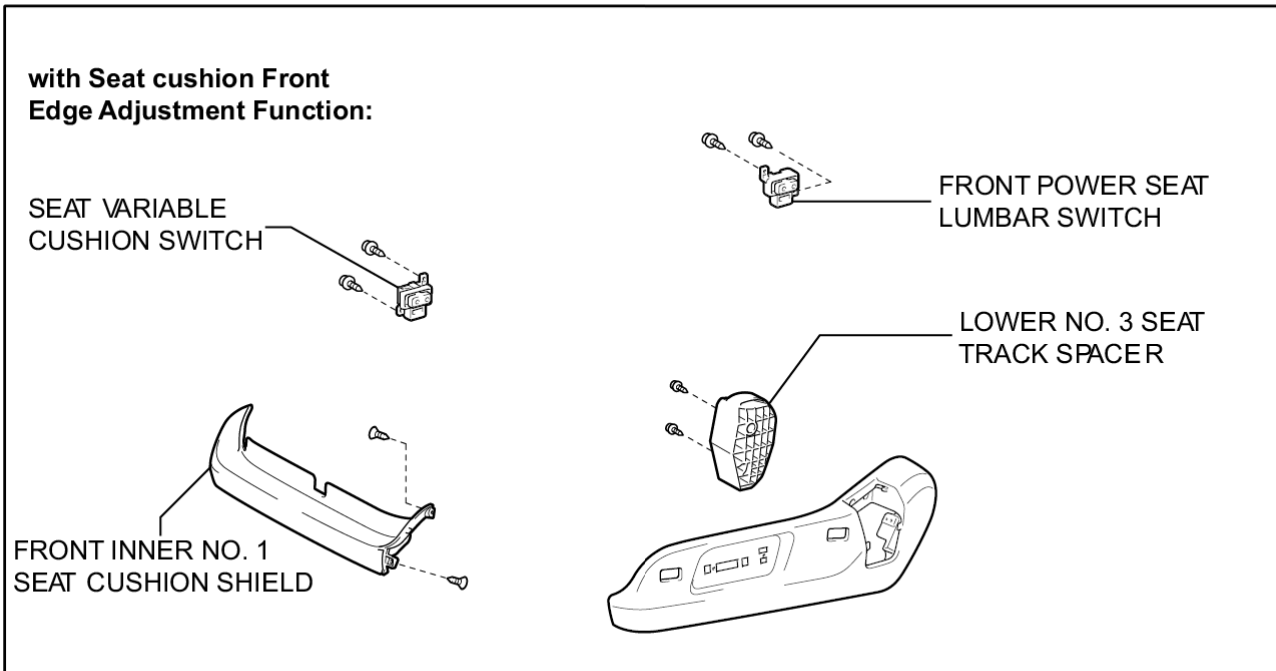
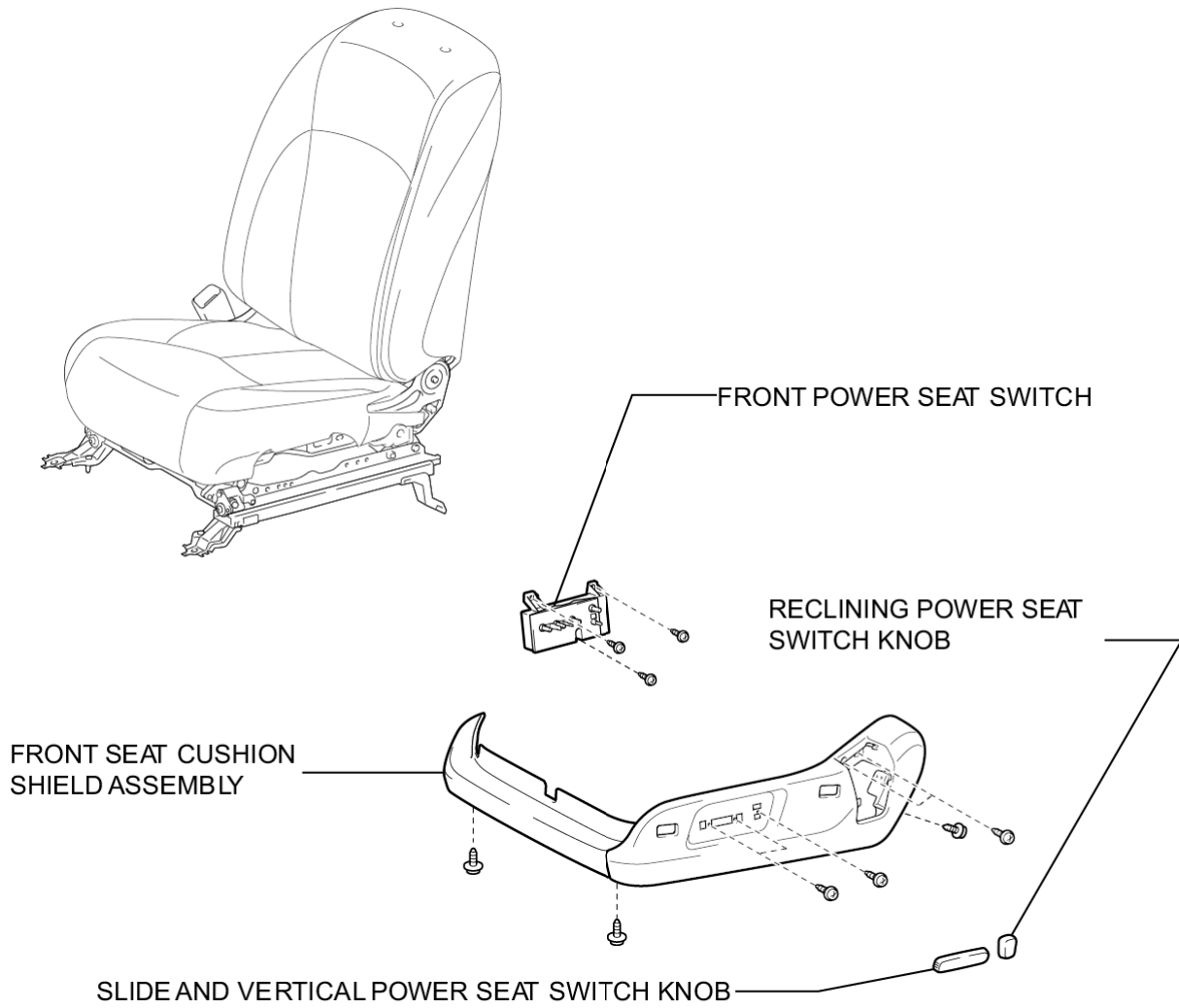
## COMPONENTS

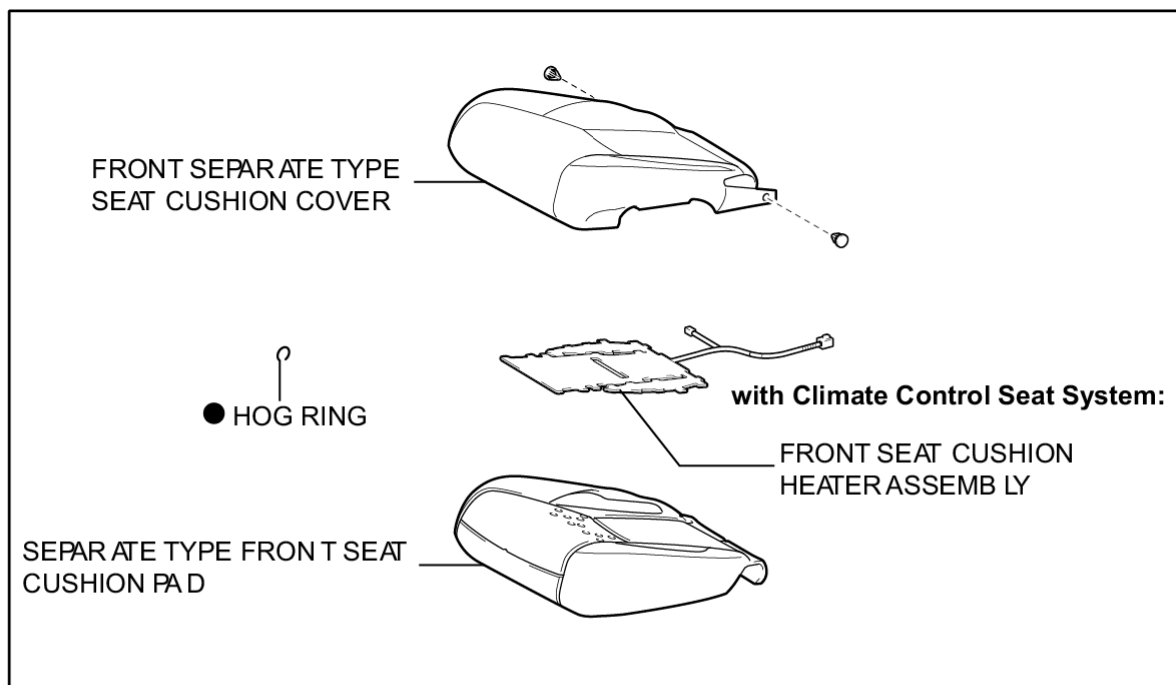
## ILLUSTRATION



**N\*m (kgf\*cm, ft.\*lbf)**: Specified torque

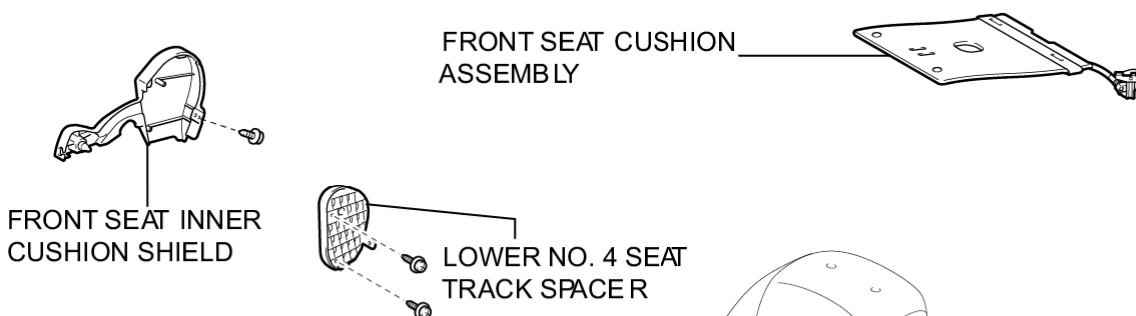
**ILLUSTRATION**





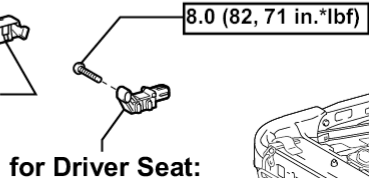
FRONT SEPARATE TYPE SEAT CUSHION COVER WITH PAD

w/ Occupant Classification ECU, Occupant Classification Sensor:



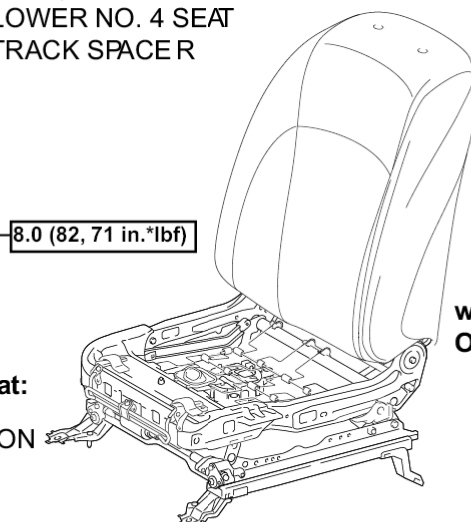
for Driver Seat:

SEAT SLIDE POSITION SENSOR PROTECTOR



for Driver Seat:

SEAT POSITION SENSOR



FRONT SEAT INNER BELT ASSEMBLY

w/ Occupant Classification ECU, Occupant Classification Sensor:

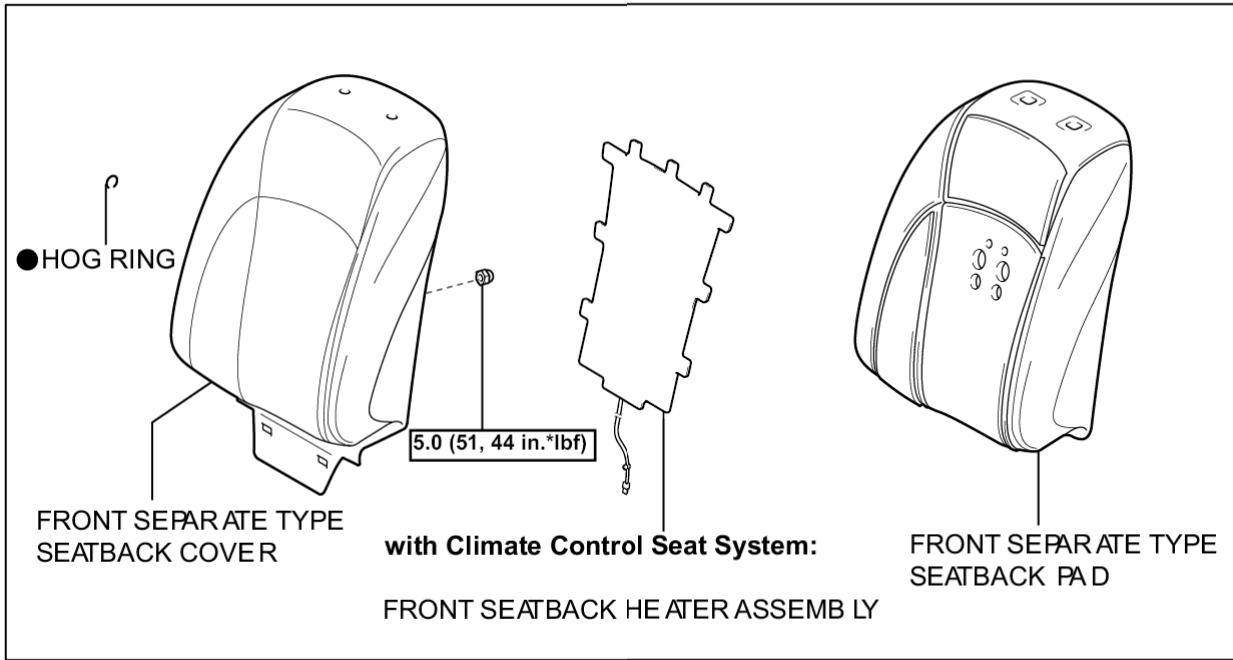
OCCUPANT DETECTION ECU

3.0 (30, 27 in.\*lbf)

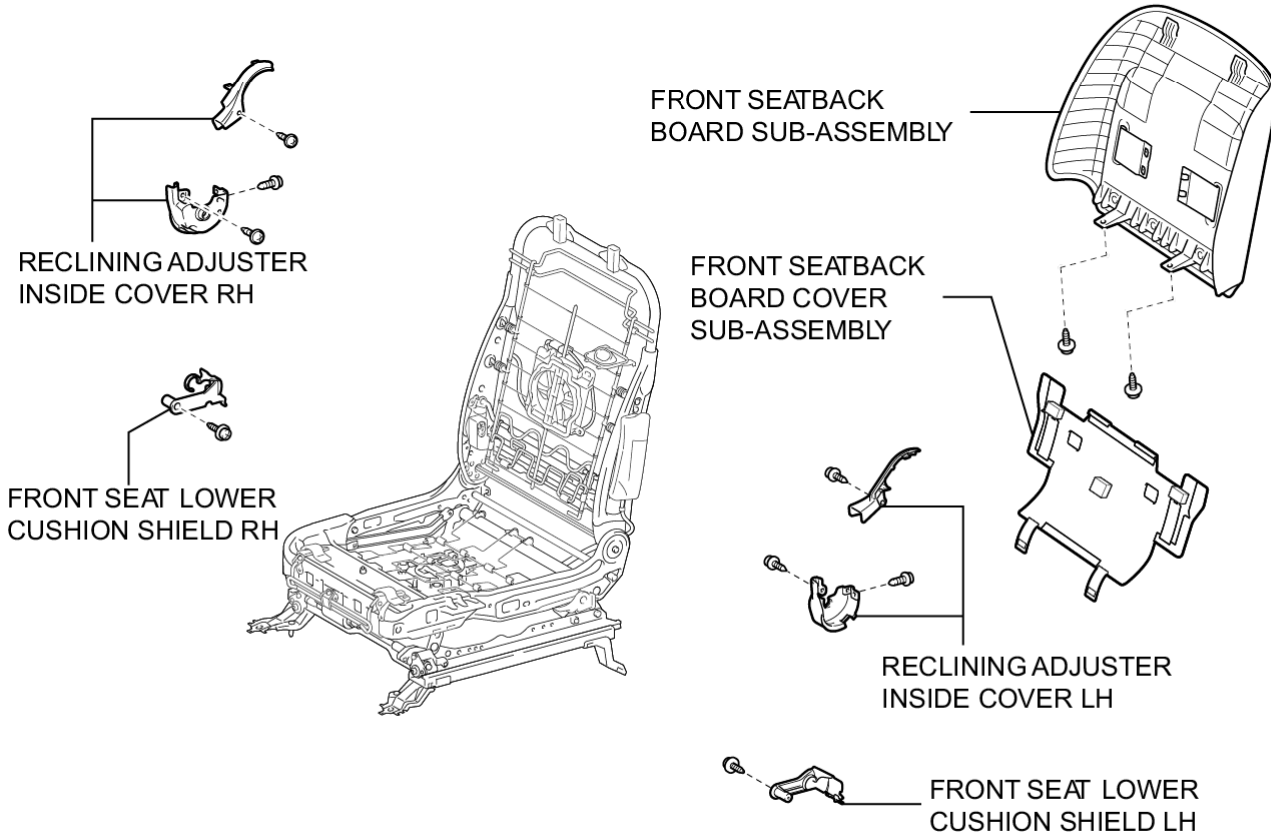
● Non-reusable part [N\*m (kgf\*cm, ft.\*lbf)]: Specified torque

**ILLUSTRATION**

FRONT SEAT HEADREST SUPPORT



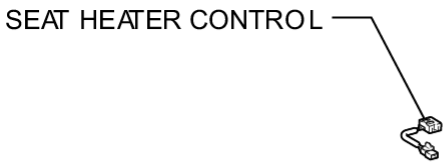
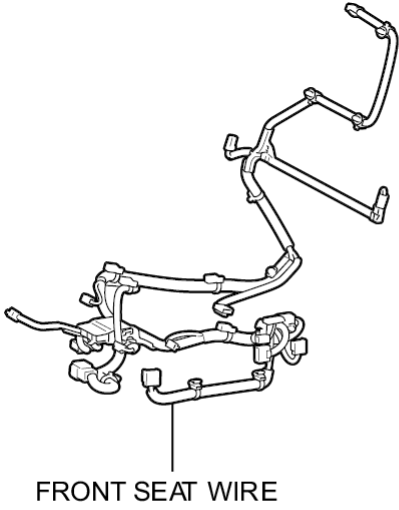
FRONT SEPARATE TYPE SEATBACK COVER WITH PAD



● Non-reusable part [5.0 (51, 44 in.\*lbf)]: Specified torque

P

**ILLUSTRATION**

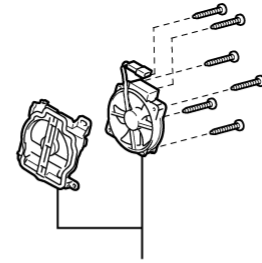


with Climate Control Seat System:



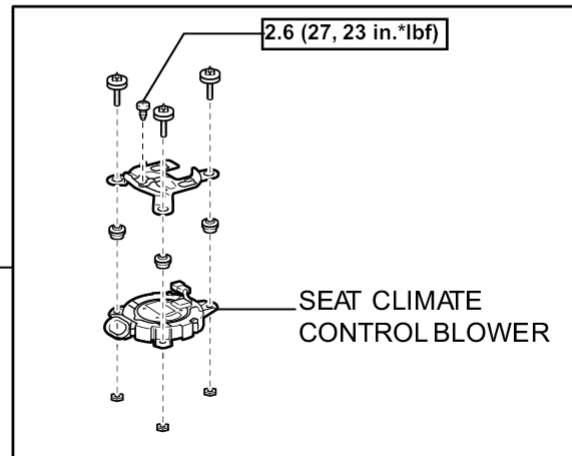
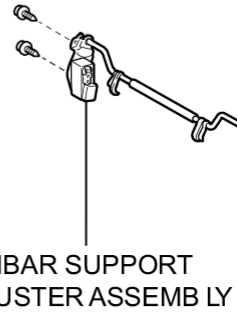
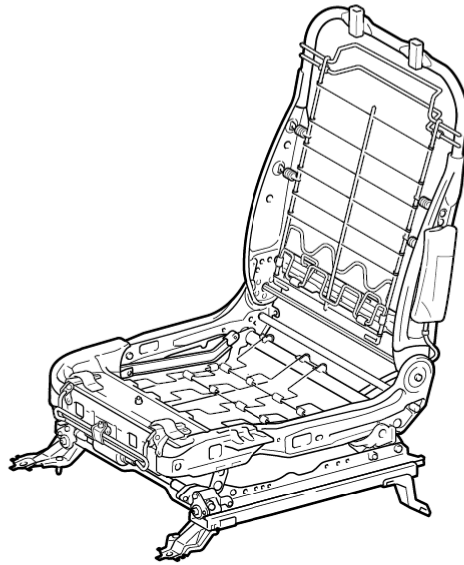
with Climate Control Seat System:

SEAT CUSHION CLIMATE CONTROL BLOWER



with Climate Control Seat System:

SEATBACK CLIMATE CONTROL BLOWER



**N\*m (kgf\*cm, ft.\*lbf)** : Specified torque