

Last Modified: 7-13-2007		1.7 A
Service Category: Vehicle Interior	Section: Seat	
Model Year: 2008	Model: ES350	Doc ID: RM000001OH2003X
Title: SEAT: FRONT SEAT ASSEMBLY: REASSEMBLY (2008 ES350)		

REASSEMBLY

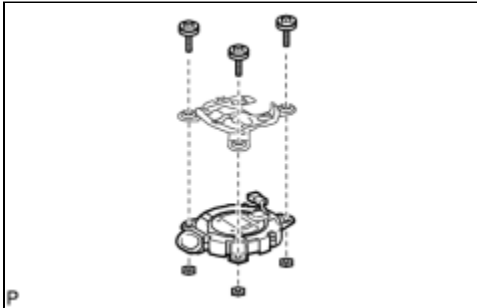
1. INSTALL FRONT SEAT WIRE

- (a) Connect the connectors.
- (b) Engage the clamps to install the front seat wire.

2. INSTALL SEAT HEATER CONTROL



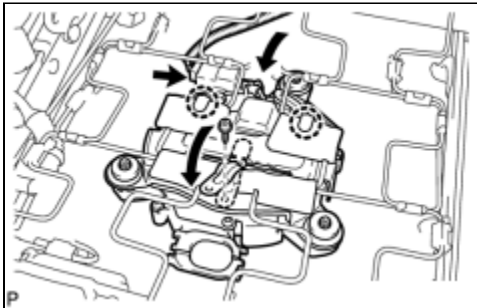
3. INSTALL SEAT CLIMATE CONTROL BLOWER (w/ Climate Control Seat System)



- (a) Install the seat climate control blower and bracket with the 3 bolts and 3 nuts.

4. INSTALL SEAT CUSHION CLIMATE CONTROL BLOWER (w/ Climate Control Seat System)

- (a) Engage the 2 claws to install the seat cushion climate control blower.

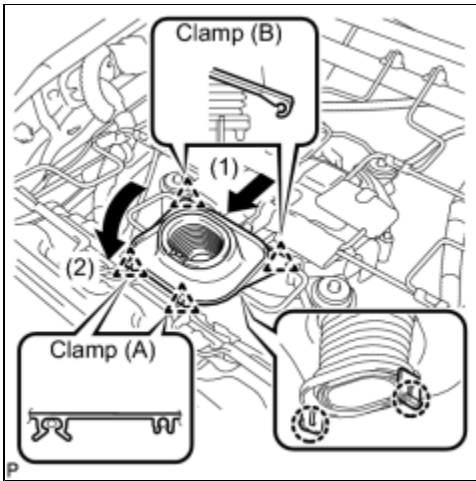


- (b) Install the seat cushion climate control blower with the screw.

Torque: 2.6 N·m (27 kgf·cm, 23 in·lbf)

- (c) Connect the connector.

5. INSTALL SEAT CUSHION CLIMATE CONTROL DUCT (w/ Climate Control Seat System)

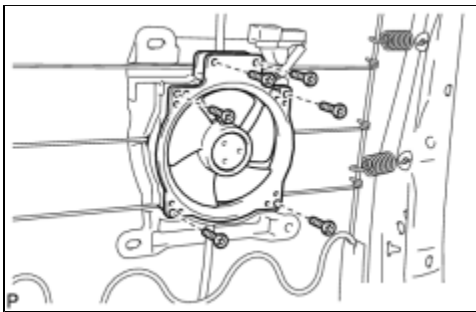


(a) Engage the 2 claws to install the seat cushion climate control duct.

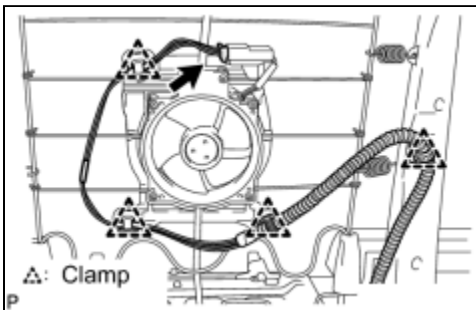
(b) Engage the 2 clamps (B).

(c) Engage the 2 clamps (A).

6. INSTALL SEATBACK CLIMATE CONTROL BLOWER (w/ Climate Control Seat System)



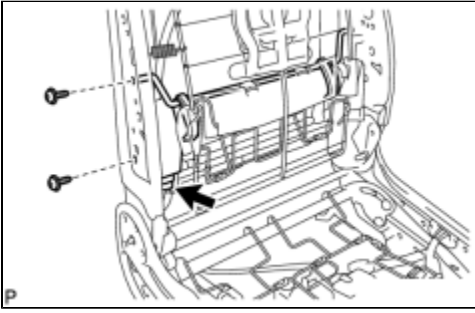
(a) Using a T30 "TORX" socket, install the seatback climate control blower with the 6 "TORX" bolts.



(b) Connect the 4 clamps and connector.

7. INSTALL LUMBAR SUPPORT ADJUSTER ASSEMBLY

(a) Install the lumbar support adjuster with the 2 screws.

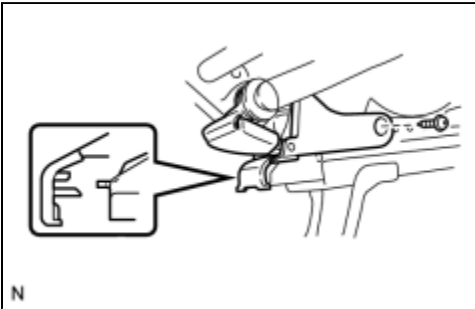


(b) Connect the connector.

8. INSTALL SEAT POSITION SENSOR (for Driver Side) INFO

9. INSTALL SEAT SLIDE POSITION SENSOR PROTECTOR

10. INSTALL FRONT SEAT LOWER CUSHION SHIELD LH



(a) Engage the hook.

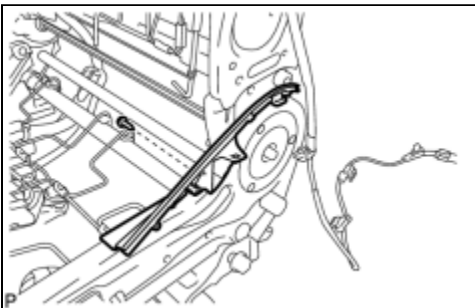
(b) Install the front seat lower cushion shield LH with the screw.

11. INSTALL FRONT SEAT LOWER CUSHION SHIELD RH

HINT:

Use the same procedure for the RH side and the LH side.

12. INSTALL RECLINING ADJUSTER INSIDE COVER LH



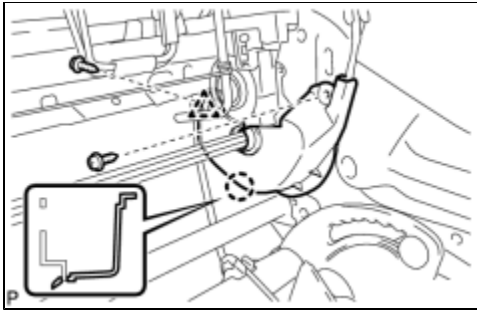
(a) Install the reclining adjuster inside cover LH with the screw.

13. INSTALL RECLINING ADJUSTER INSIDE COVER RH

HINT:

Use the same procedure for the RH side and the LH side.

14. INSTALL SEAT RECLINING ADJUSTER INSIDE COVER LH



(a) Engage the claw and clamp.

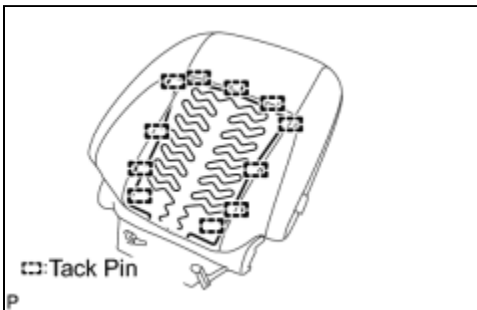
(b) Install the reclining adjuster inside cover LH with the 2 screws.

15. INSTALL SEAT RECLINING ADJUSTER INSIDE COVER RH

HINT:

Use the same procedure for the RH side and the LH side.

16. INSTALL FRONT SEATBACK HEATER ASSEMBLY (w/ Climate Control Seat System)



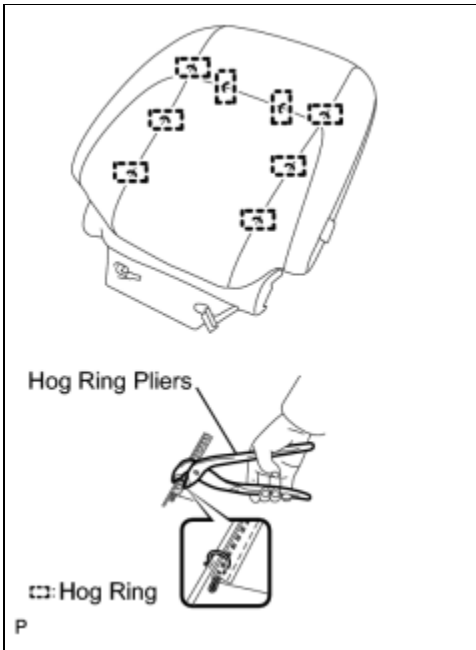
(a) Using a tracker, install the front seatback heater to the end of the seat cover with the 11 new tack pins.

17. INSTALL FRONT SEPARATE TYPE SEATBACK COVER

(a) Using hog ring pliers, install the front separate type seatback cover with 8 new hog rings.

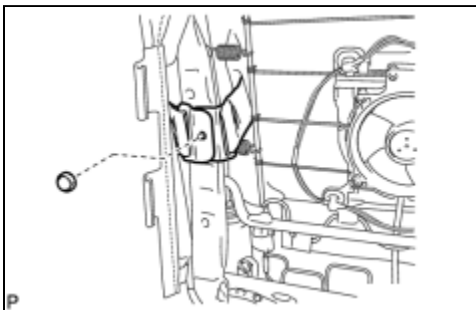
NOTICE:

- Be careful not to damage the cover.
- When installing the hog rings, take care to minimize wrinkles as much as possible.



18. INSTALL FRONT SEPARATE TYPE SEATBACK COVER WITH PAD

(a) Install the front separate type seatback cover with pad to the front seatback spring assembly.

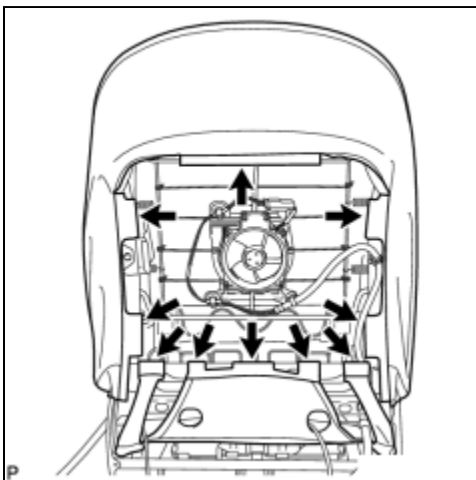


(b) Install the front seatback cover bracket with the nut.

Torque: 5.0 N·m (51 kgf·cm, 44 in·lbf)

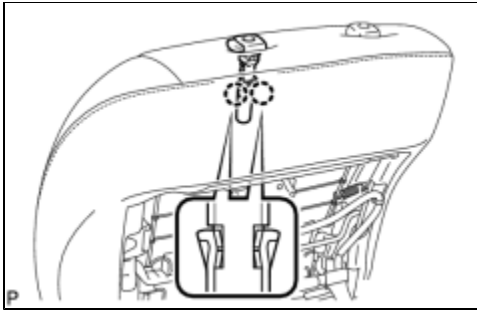
NOTICE:

- For vehicles with side airbags, the side airbags may not be activated normally unless the front seatback cover is securely installed.
- Check that the strap is not twisted after installing the bracket.
- Install the bracket securely.



(c) Engage the hooks.

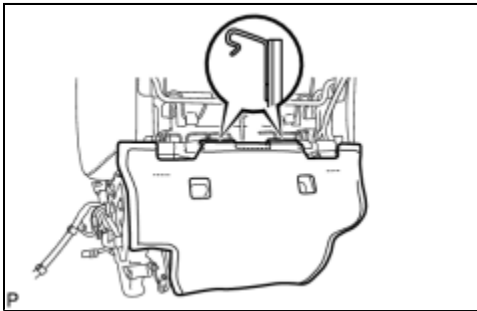
19. INSTALL FRONT SEAT HEADREST SUPPORT



(a) Engage the 2 claws to install the front seat headrest support.

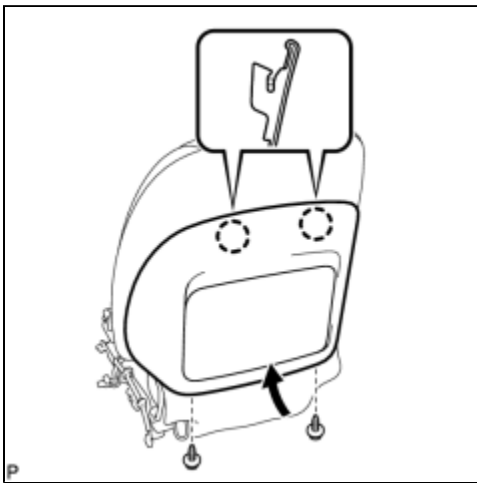
20. INSTALL FRONT SEAT HEADREST SUPPORT

21. INSTALL FRONT SEATBACK BOARD COVER SUB-ASSEMBLY



(a) Engage the 2 hooks and install the front seatback board cover sub-assembly.

22. INSTALL FRONT SEATBACK BOARD SUB-ASSEMBLY

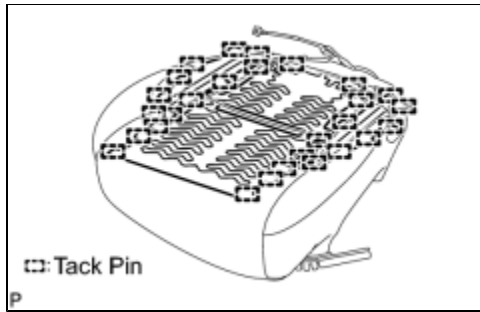


(a) Engage the 2 claws.

(b) Install the front seatback board sub-assembly with the 2 screws.

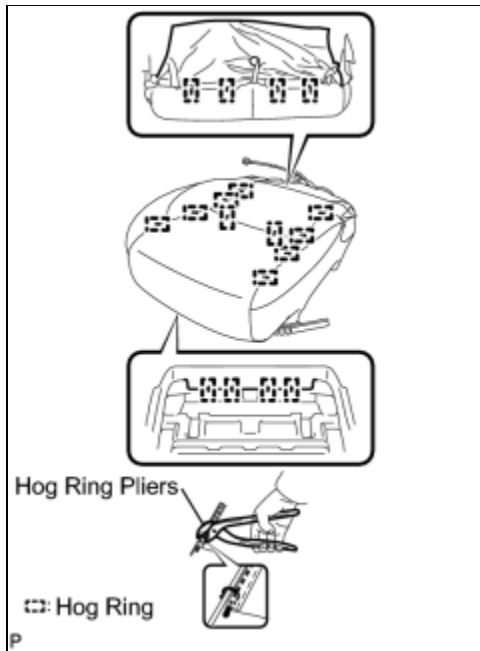
23. INSTALL FRONT SEAT CUSHION HEATER ASSEMBLY (w/ Climate Control Seat System)

(a) Using a tackler, install the front seat cushion heater to the end of the seat



cover with the 28 new tack pins.

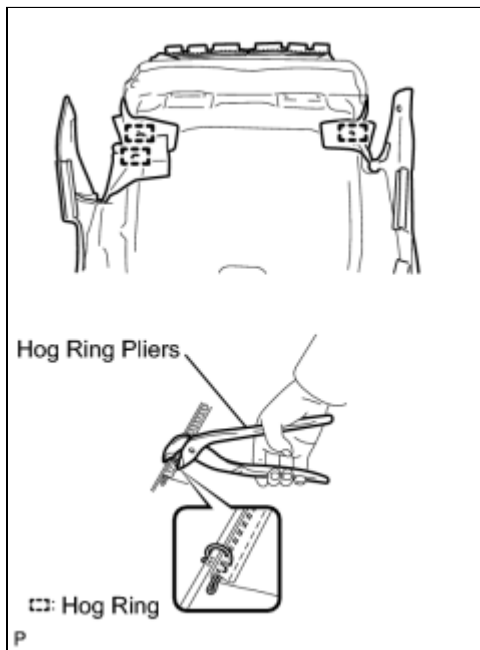
24. INSTALL FRONT SEPARATE TYPE SEAT CUSHION COVER (w/o Seat Cushion Front Edge Adjustment Function)



(a) Using hog ring pliers, install 18 new hog rings.

NOTICE:

- Be careful not to damage the cover.
- When installing the hog rings, take care to minimize wrinkles as much as possible.

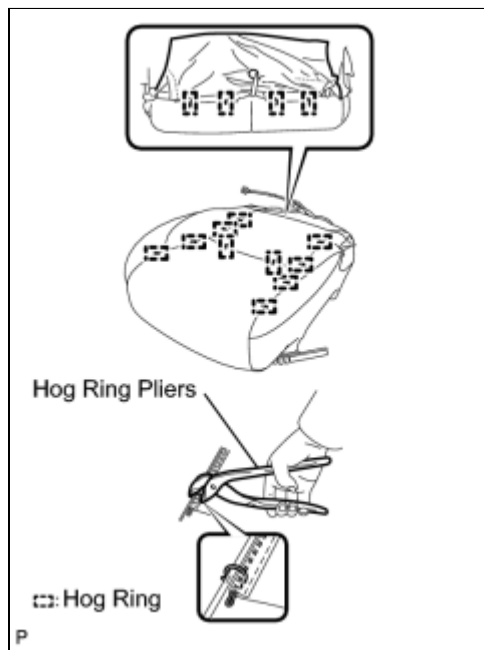


(b) Using hog ring pliers, install 3 new hog rings.

NOTICE:

- Be careful not to damage the cover.
- When installing the hog rings, take care to minimize wrinkles as much as possible.

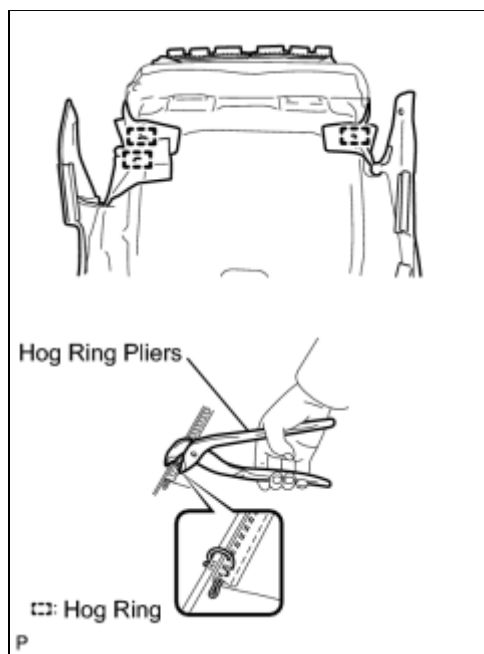
25. INSTALL FRONT SEPARATE TYPE SEAT CUSHION COVER (w/ Seat Cushion Front Edge Adjustment Function)



(a) Using hog ring pliers, install 14 new hog rings.

NOTICE:

- Be careful not to damage the cover.
- When installing the hog rings, take care to minimize wrinkles as much as possible.



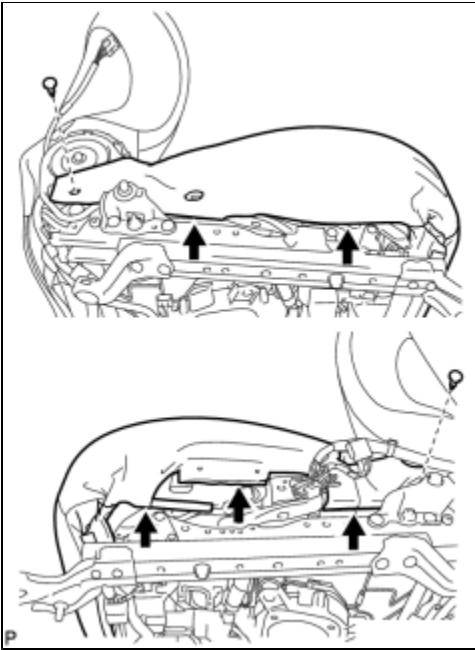
(b) Using hog ring pliers, install 3 new hog rings.

NOTICE:

- Be careful not to damage the cover.
- When installing the hog rings, take care to minimize wrinkles as much as possible.

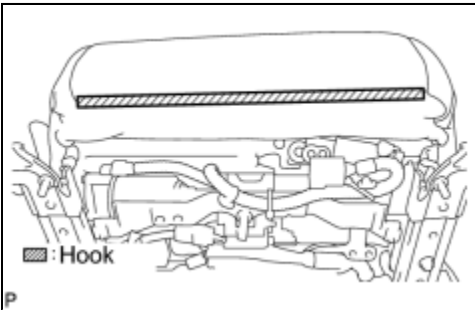
26. INSTALL FRONT SEAT CUSHION ASSEMBLY INFO

27. INSTALL FRONT SEPARATE TYPE SEAT CUSHION COVER WITH PAD (w/o Seat Cushion Front Edge Adjustment Function)

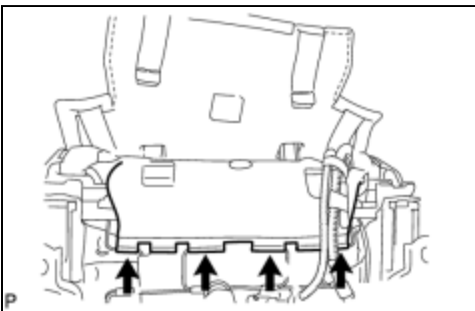


(a) Engage the hooks.

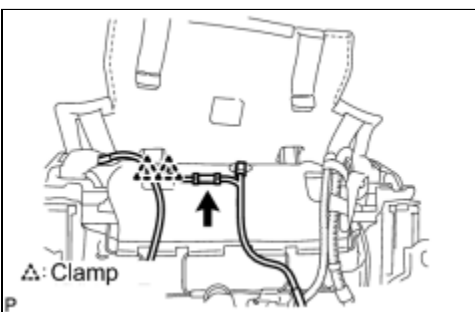
(b) Install the 2 clips.



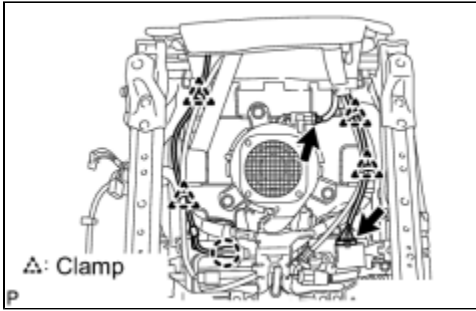
(c) Engage the hook.



(d) Engage the 4 clamps.



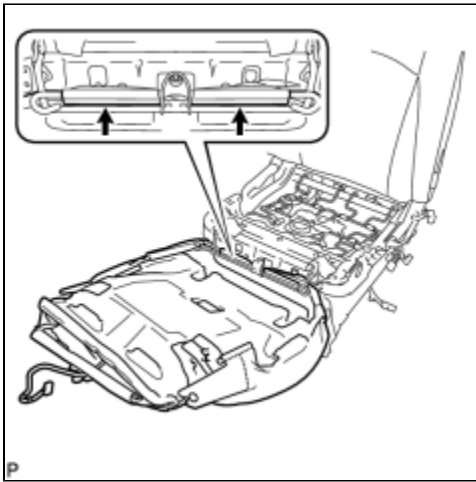
(e) Connect the connector and engage the 2 clamps.



(f) Engage the 4 clamps and claw.

(g) Connect the 2 connectors.

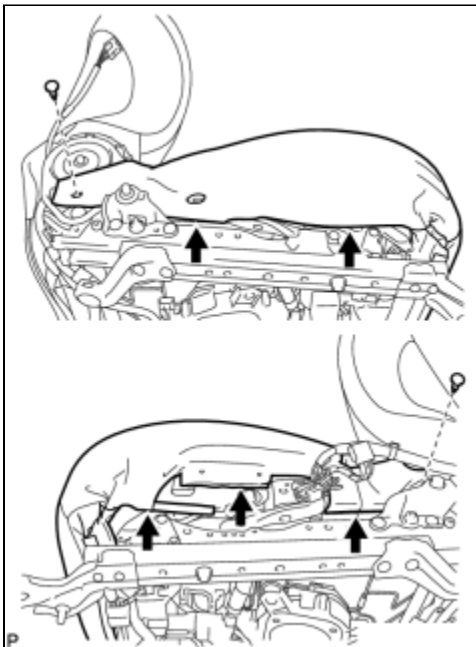
28. INSTALL FRONT SEPARATE TYPE SEAT CUSHION COVER WITH PAD (w/ Seat Cushion Front Edge Adjustment Function)



(a) Engage the 2 hooks to install the front separate type seat cushion cover with pad.

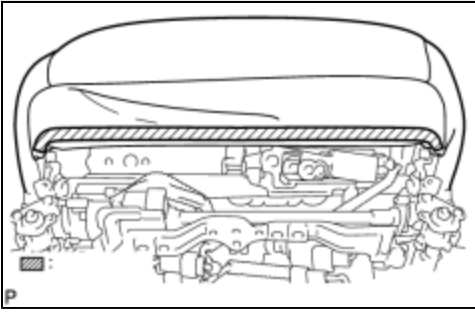
NOTICE:

- Be careful not to damage the cover.
- When installing the hog rings, take care to minimize wrinkles as much as possible.

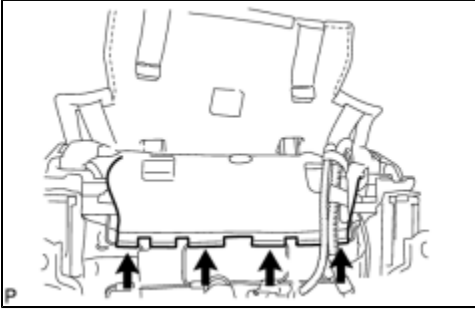


(b) Engage the hooks.

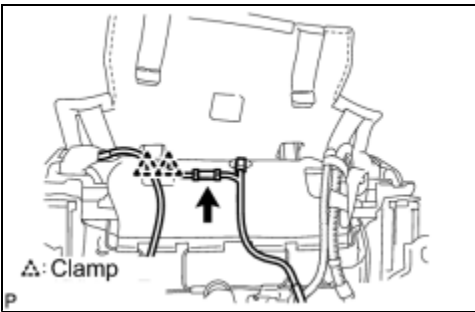
(c) Install the 2 clips.



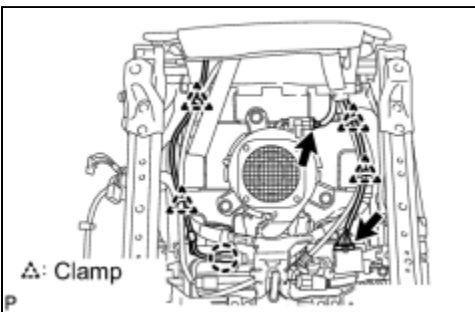
(d) Engage the hook.



(e) Engage the 4 clamps.



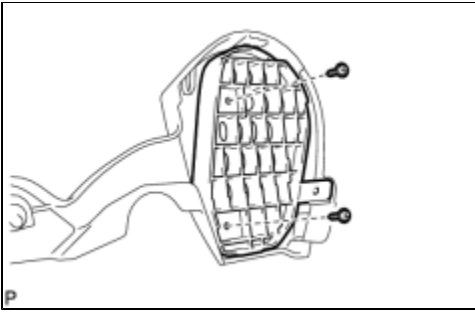
(f) Connect the connector and engage the 2 clamps.



(g) Engage the 4 clamps and claw.

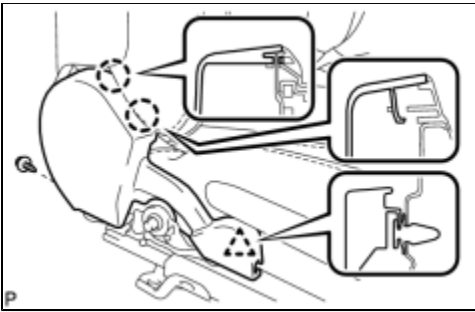
(h) Connect the 2 connectors.

29. INSTALL LOWER NO. 4 SEAT TRACK SPACER



(a) Install the lower No. 4 seat track spacer with the 2 screws.

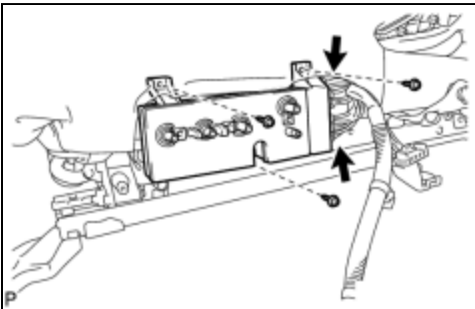
30. INSTALL FRONT SEAT INNER CUSHION SHIELD



(a) Engage the 2 claws and clip.

(b) Install the front seat inner cushion shield with the screw.

31. INSTALL FRONT POWER SEAT SWITCH (w/ Seat Position Memory System)



(a) Install the power seat switch with the 3 screws.

(b) Connect the 2 connectors.

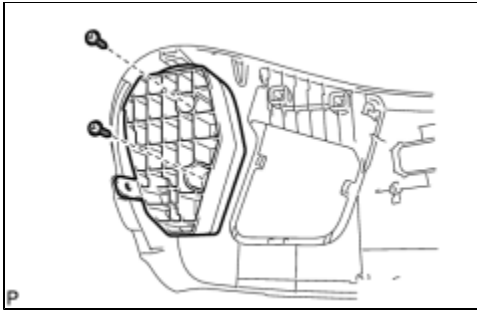
32. INSTALL FRONT POWER SEAT SWITCH (w/o Seat Position Memory System)

(a) Install the power seat switch with the 3 screws.

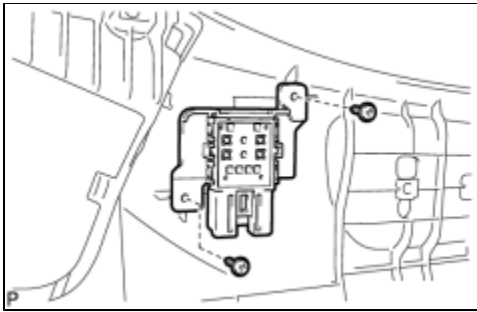
(b) Connect the connector.

33. INSTALL LOWER NO. 3 SEAT TRACK SPACER

(a) Install the lower No. 3 seat track spacer with the 2 screws.

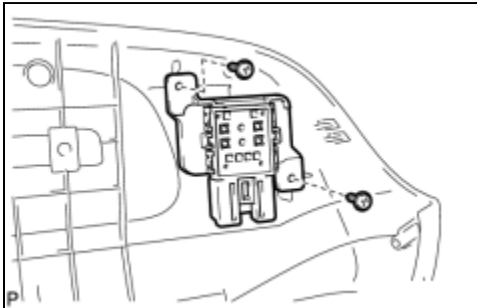


34. INSTALL FRONT POWER SEAT LUMBAR SWITCH



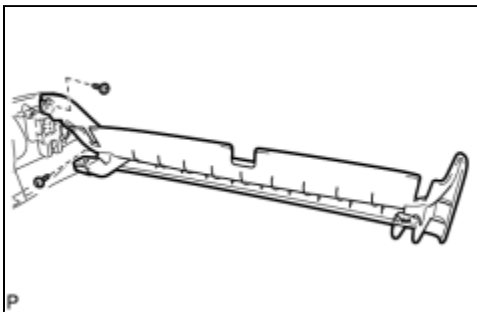
(a) Install the front power seat lumbar switch with the 2 screws.

35. INSTALL SEAT VARIABLE CUSHION SWITCH (w/ Seat Cushion Front Edge Adjustment Function)



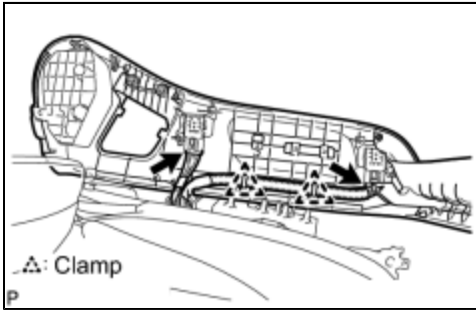
(a) Install the seat variable cushion switch with the 2 screws.

36. INSTALL FRONT INNER NO. 1 SEAT CUSHION SHIELD

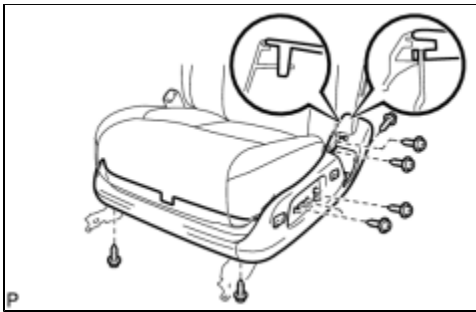


(a) Install the front inner No. 1 seat cushion shield with the 2 screws.

37. INSTALL FRONT SEAT CUSHION SHIELD ASSEMBLY

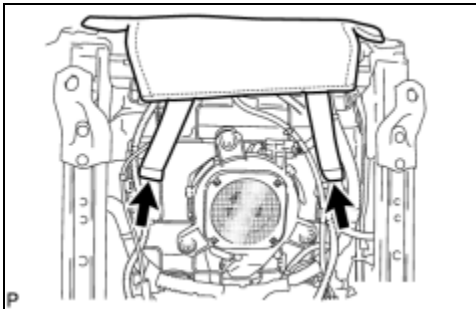


(a) Connect the 2 clamps and 2 connectors.



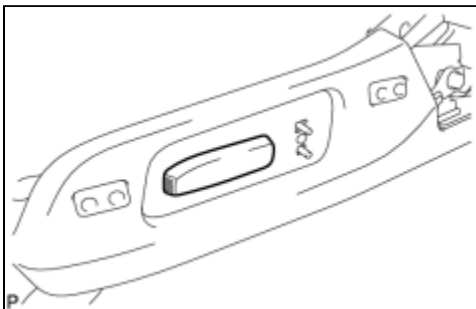
(b) Engage the 2 claws.

(c) Install the front seat cushion shield assembly with the 8 screws.



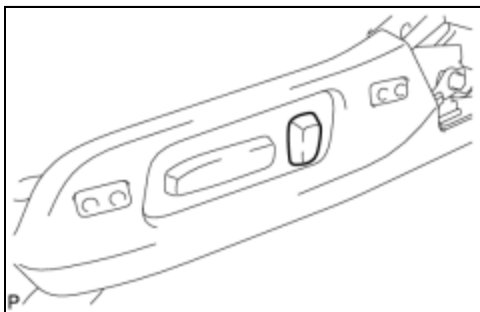
(d) Install the 2 rubber bands on the backside of the front seatback board sub-assembly.

38. INSTALL SLIDE AND VERTICAL POWER SEAT SWITCH KNOB



(a) Install the slide and vertical power seat switch knob.

39. INSTALL RECLINING POWER SEAT SWITCH KNOB



(a) Install the reclining power seat switch knob.

40. INSTALL OCCUPANT DETECTION ECU

[INFO](#)

41. INSTALL FRONT SEAT INNER BELT ASSEMBLY

[INFO](#)

