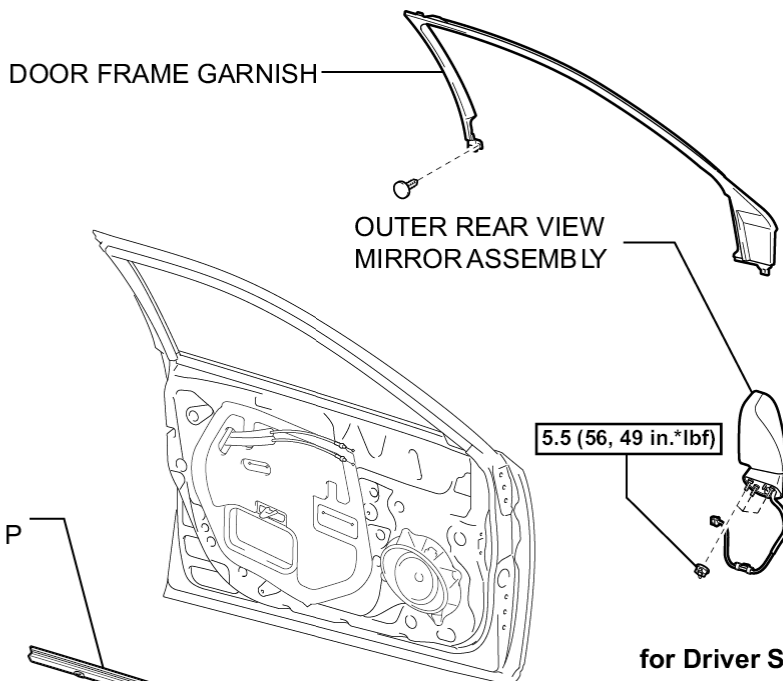


Last Modified: 7-13-2007		1.6 K
Service Category: Vehicle Exterior	Section: Door/Hatch	
Model Year: 2008	Model: ES350	Doc ID: RM000000XBA00XX
Title: ENGINE HOOD / DOOR: FRONT DOOR: COMPONENTS (2008 ES350)		

COMPONENTS

ILLUSTRATION



FRONT DOOR INNER GLASS WEATHERSTRIP

with Seat Position Memory System:

for Driver Side:

FRONT DOOR ARMREST BASE PANEL ASSEMBLY

POWER WINDOW REGULATOR MASTER SWITCH ASSEMBLY

SEAT MEMORY SWITCH

● BUTYL TAPE

DOOR ARMREST COVER

● OUTER MIRROR PROTECTOR

for Front Passenger Side:

FRONT DOOR ARMREST BASE PANEL ASSEMBLY

FRONT DOOR INSIDE HANDLE BEZEL PLUG

DOOR CONTROL SWITCH ASSEMBLY

COURTESY LIGHT ASSEMBLY

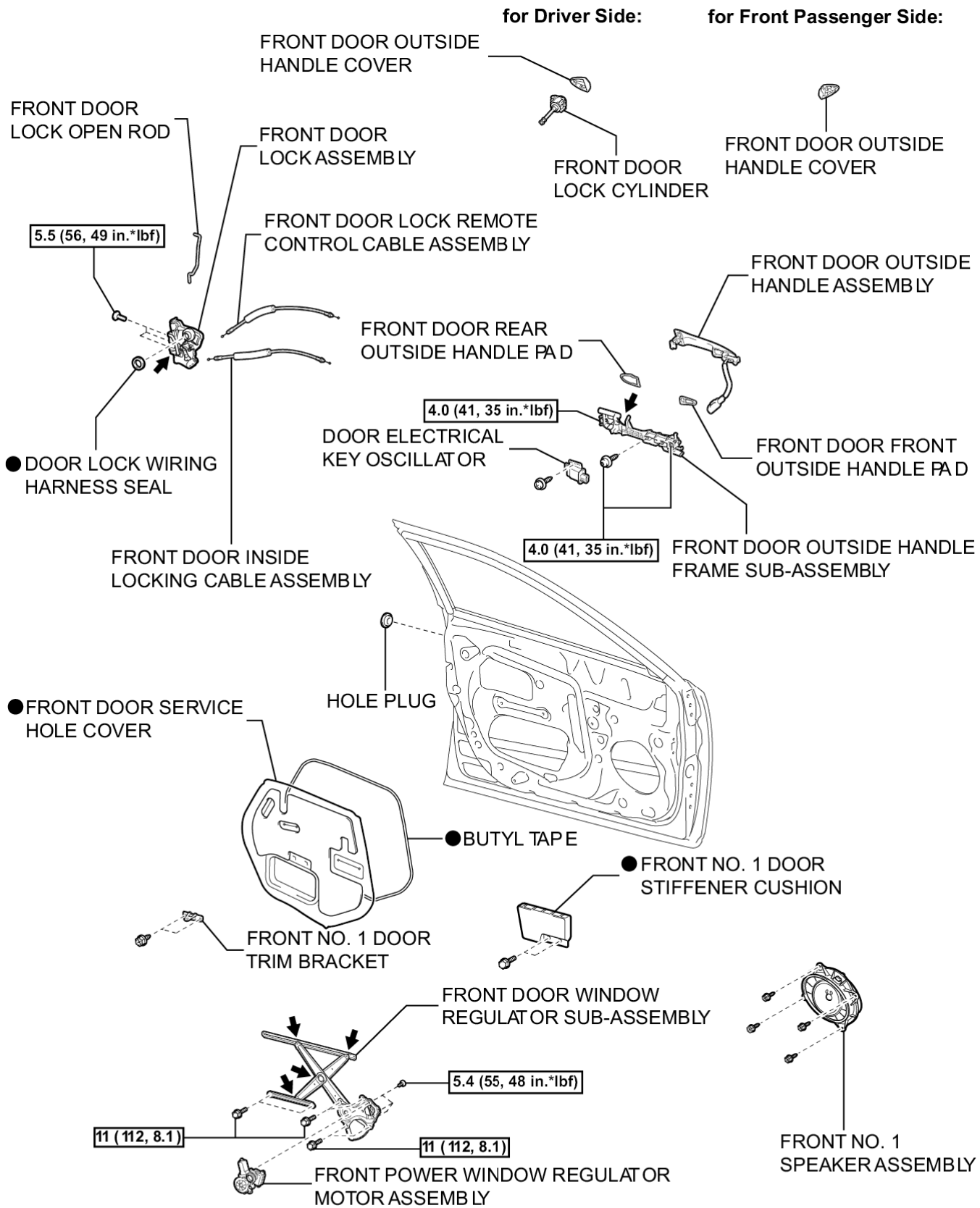
FRONT DOOR TRIM BOARD SUB-ASSEMBLY

POWER WINDOW REGULATOR SWITCH ASSEMBLY

● Non-reusable part N*m (kgf*cm, ft.*lbf) : Specified torque

P

ILLUSTRATION



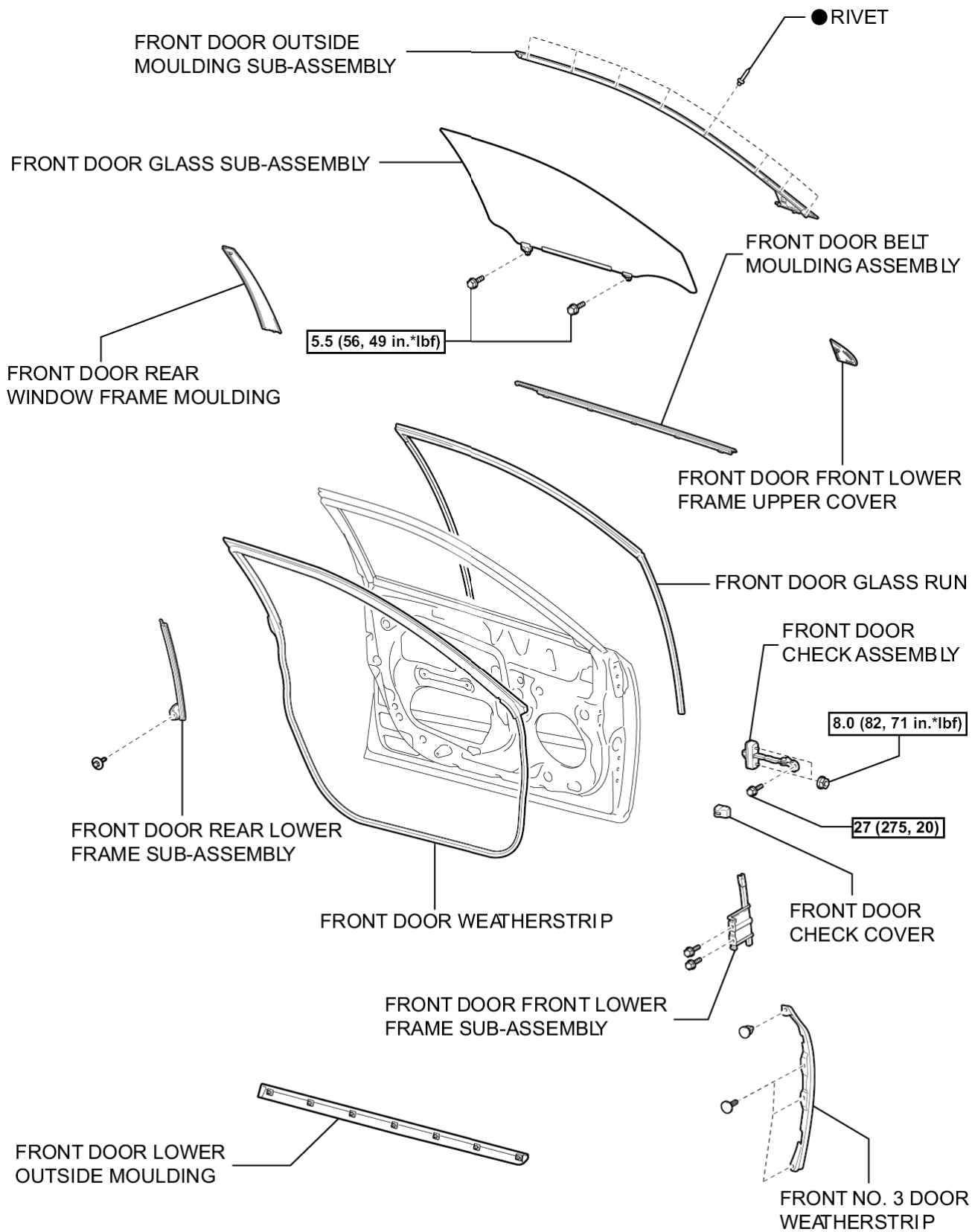
← Apply MP grease

● Non-reusable part

[N*m (kgf*cm, ft.*lbf)]: Specified torque

P

ILLUSTRATION



● Non-reusable part

N*m (kgf*cm, ft.*lbf) : Specified torque

P

