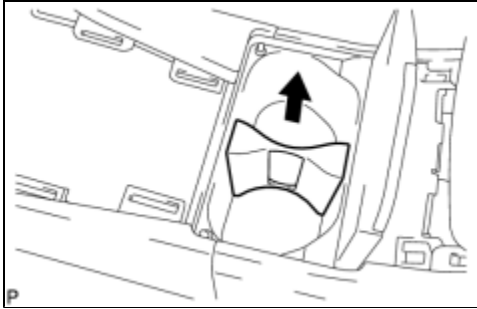


Last Modified: 7-13-2007		1.7 A
Service Category: Vehicle Interior	Section: Interior Panels/Trim	
Model Year: 2008	Model: ES350	Doc ID: RM000002DMK003X
Title: INTERIOR: REAR CONSOLE BOX: DISASSEMBLY (2008 ES350)		

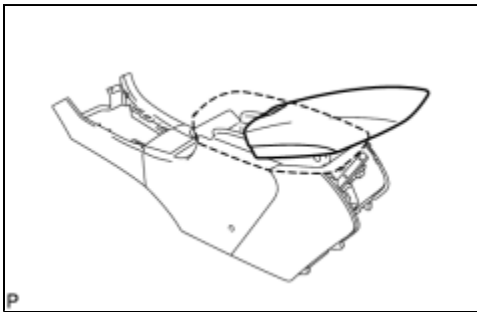
DISASSEMBLY

1. REMOVE NO. 5 CONSOLE BOX RETAINER

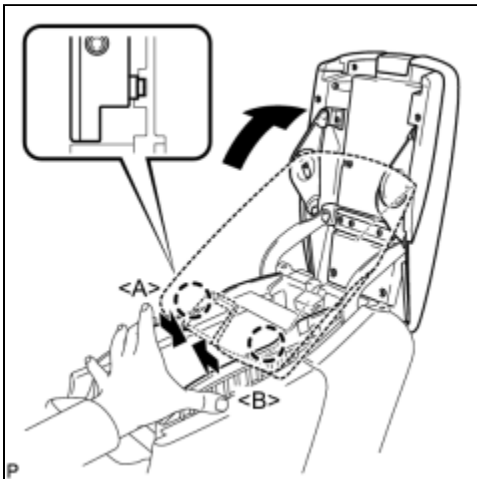


(a) Remove the No. 5 console box retainer as shown in the illustration.

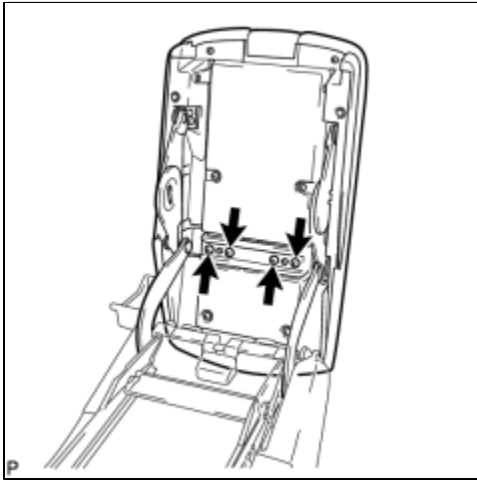
2. REMOVE CONSOLE COMPARTMENT DOOR SUB-ASSEMBLY



(a) Open the console compartment door sub-assembly.

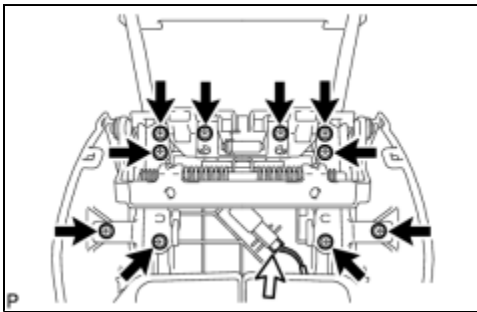


(b) Slightly deform areas <A> and of the console box assembly inward to disengage the 2 claws. Next, raise the console compartment door sub-assembly as shown in the illustration.

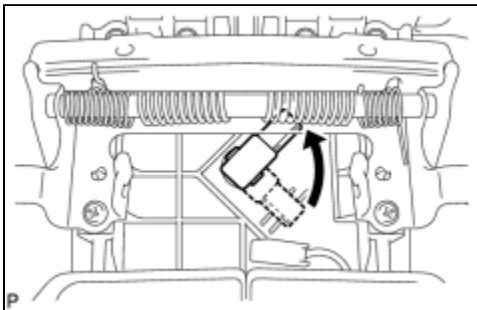


(c) Remove the 4 screws and the console compartment door sub-assembly.

3. REMOVE CONSOLE BOX ILLUMINATION LIGHT ASSEMBLY



(a) Loosen the 10 screws and disconnect the connector.



(b) Turn the console box illumination light assembly in the direction indicated by the arrow and remove it.

4. REMOVE POWER OUTLET SOCKET ASSEMBLY [INFO](#)

5. REMOVE POWER OUTLET SOCKET COVER [INFO](#)

6. REMOVE AUDIO TERMINAL [INFO](#)

