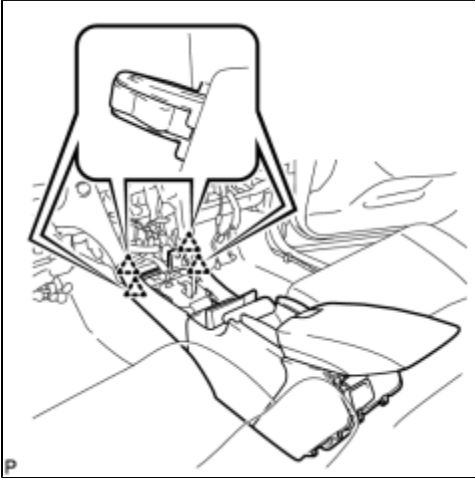


Last Modified: 7-13-2007		1.7 A
Service Category: Vehicle Interior	Section: Interior Panels/Trim	
Model Year: 2008	Model: ES350	Doc ID: RM000002DMH003X
Title: INTERIOR: REAR CONSOLE BOX: INSTALLATION (2008 ES350)		

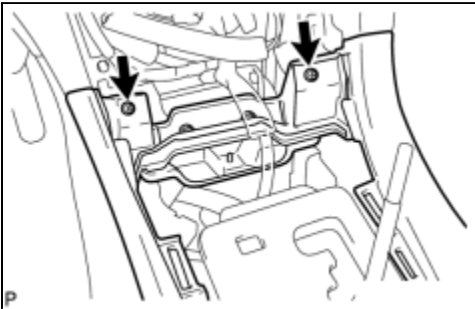
## INSTALLATION

### 1. INSTALL REAR CONSOLE BOX ASSEMBLY

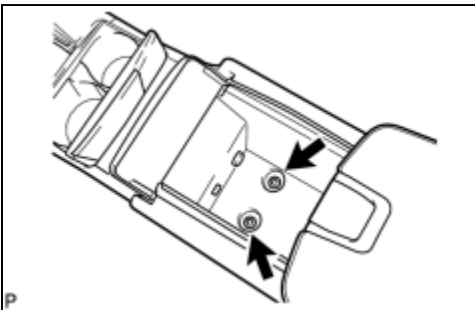
(a) Connect each connector.



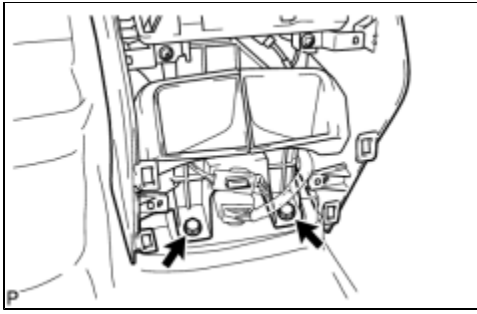
(b) Engage the 4 clips.



(c) Install the 2 screws.

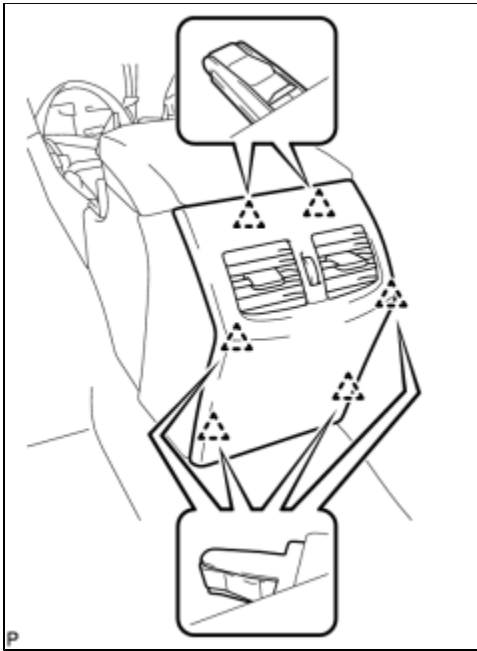


(d) Install the 2 bolts.



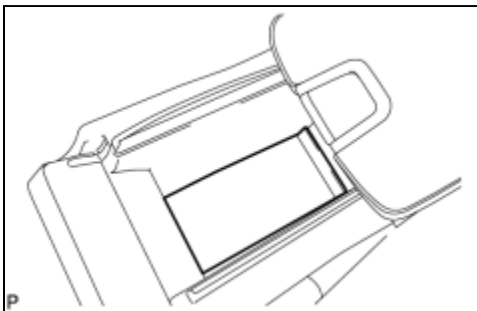
(e) Install the rear console box assembly with the 2 bolts.

## 2. INSTALL CONSOLE REAR END PANEL SUB-ASSEMBLY



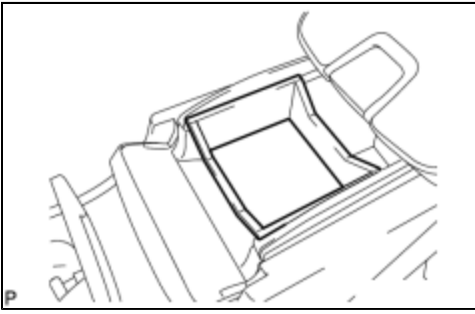
(a) Engage the 6 clips and install the console rear end panel sub-assembly.

## 3. INSTALL CONSOLE BOX CARPET



(a) Install the console box carpet.

## 4. INSTALL CONSOLE BOX POCKET



(a) Install the console box pocket.

5. INSTALL HEATER SEAT SWITCH CONSOLE BASE (w/o Seat Heater System) [INFO](#)

6. INSTALL HEATER SEAT SWITCH CONSOLE BASE (w/ Seat Heater System) [INFO](#)

7. INSTALL UPPER CONSOLE PANEL ASSEMBLY WITH FRONT ASH RECEPTACLE [INFO](#)

8. INSTALL SHIFT LEVER KNOB SUB-ASSEMBLY [INFO](#)

9. INSTALL INSTRUMENT PANEL FINISH PANEL END RH [INFO](#)

10. INSTALL INSTRUMENT PANEL FINISH PANEL END LH [INFO](#)

