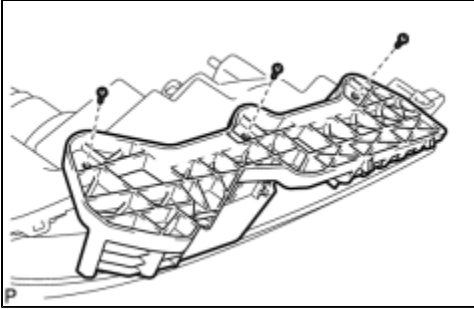


Last Modified: 7-13-2007		1.6 A
Service Category: Vehicle Exterior	Section: Lighting (ext)	
Model Year: 2008	Model: ES350	Doc ID: RM000002CSL002X
Title: LIGHTING: HEADLIGHT ASSEMBLY: DISASSEMBLY (2008 ES350)		

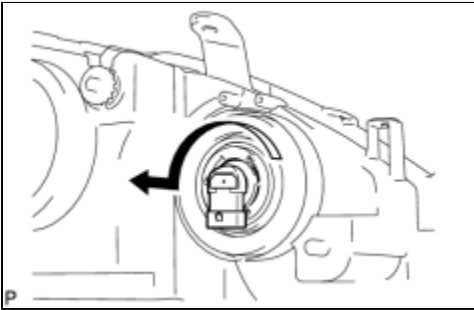
## DISASSEMBLY

### 1. REMOVE FRONT BUMPER SIDE SUPPORT



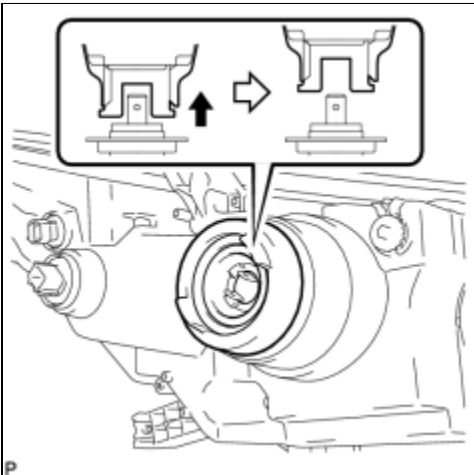
(a) Remove the 3 screws and the front bumper side support.

### 2. REMOVE NO. 2 HEADLIGHT BULB



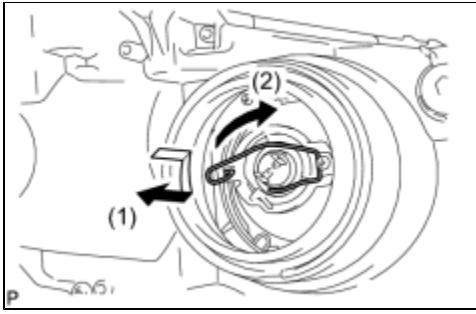
(a) Remove the No. 2 headlight bulb as shown in the illustration.

### 3. REMOVE ADAPTER ASSEMBLY (for Halogen Headlight)



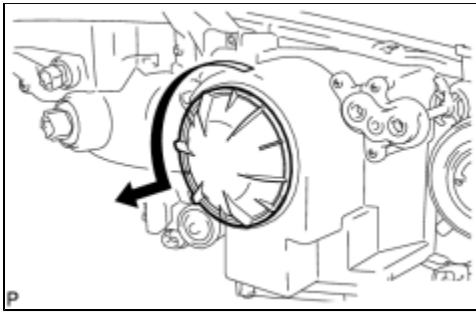
(a) Remove the adapter assembly as shown in the illustration.

### 4. REMOVE NO. 1 HEADLIGHT BULB (for Halogen Headlight)



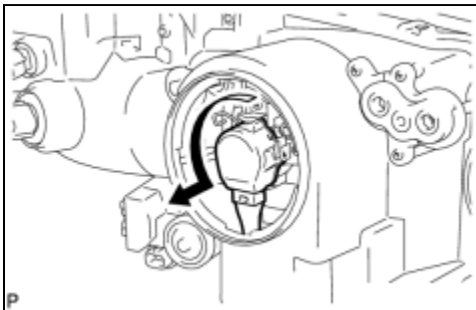
(a) Release the set spring and remove the No. 1 headlight bulb as shown in the illustration.

### 5. REMOVE HEADLIGHT SOCKET COVER (for HID Headlight)

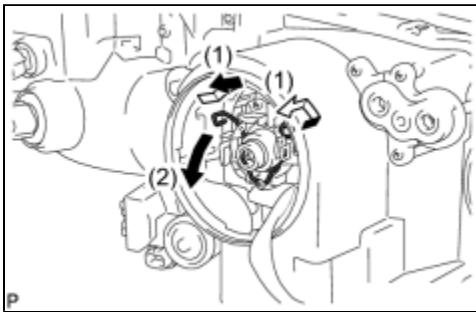


(a) Remove the headlight socket cover as shown in the illustration.

### 6. REMOVE DISCHARGE HEADLIGHT BULB (for HID Headlight)

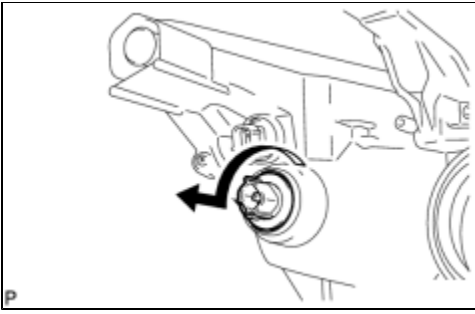


(a) Separate the light control ECU socket as shown in the illustration.



(b) Release the set spring and remove the discharge headlight bulb as shown in the illustration.

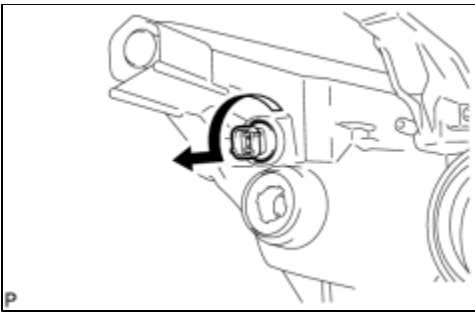
### 7. REMOVE FRONT TURN SIGNAL LIGHT BULB



(a) Turn the front turn signal light bulb and the front turn signal light socket in the direction indicated by the arrow and remove them as a unit.

(b) Remove the front turn signal light bulb from the front turn signal light socket.

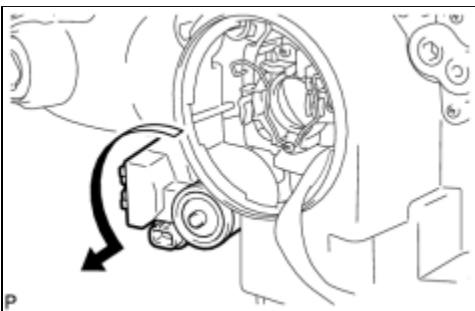
### 8. REMOVE CLEARANCE LIGHT BULB



(a) Turn the clearance light bulb and the clearance light socket in the direction indicated by the arrow and remove them as a unit.

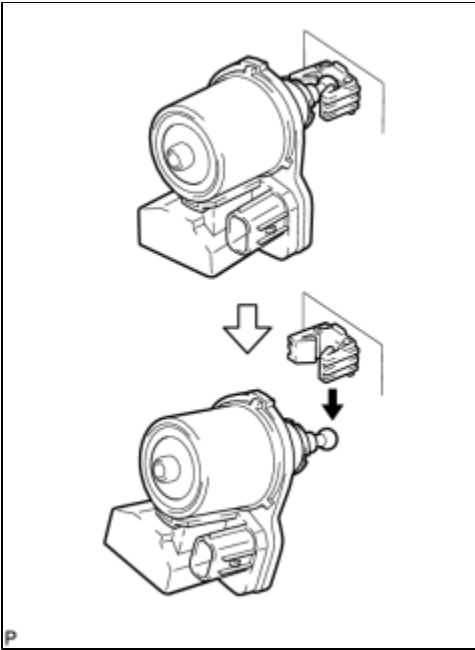
(b) Remove the clearance light bulb from the clearance light socket.

### 9. REMOVE HEADLIGHT LEVELING MOTOR (for HID Headlight)



(a) Align the notches of the headlight leveling motor and the housing, and pull out the headlight leveling motor slightly.

(b) Lower the tip of the headlight leveling motor to disengage it from the reflector and remove the headlight leveling motor.



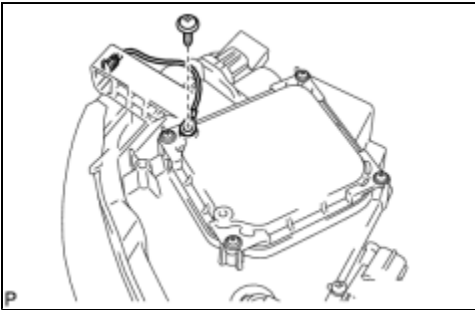
**10. REMOVE HEADLIGHT LEVELING MOTOR BASE PACKING (for HID Headlight)**

(a) Remove the headlight leveling motor base packing.

**NOTICE:**

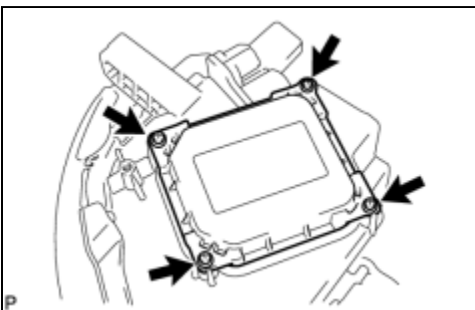
After the headlight leveling motor base packing is removed, be sure to replace it with a new one. Failure to do this may cause water ingress.

**11. REMOVE HEADLIGHT PROTECTOR (for HID Headlight)**

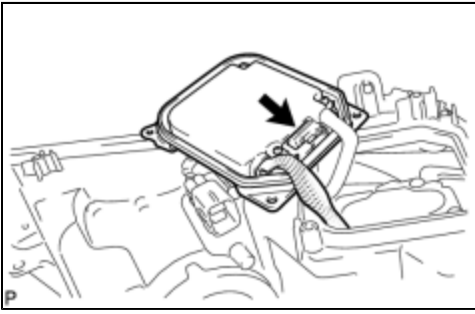


(a) Remove the screw and the headlight protector.

**12. REMOVE LIGHT CONTROL ECU SUB-ASSEMBLY (for HID Headlight)**



(a) Remove the 4 screws.



(b) Disconnect the connector and remove the light control ECU sub-assembly.

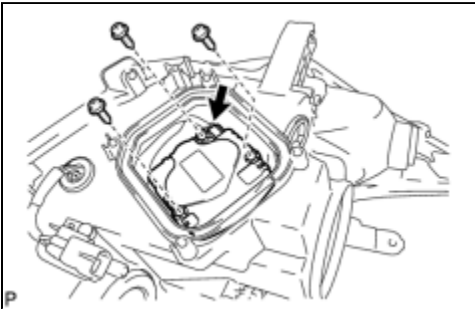
### 13. REMOVE HEADLIGHT GASKET (for HID Headlight)

(a) Remove the headlight gasket.

#### NOTICE:

After the headlight gasket is removed, be sure to replace it with a new one. Failure to do this may cause water ingress.

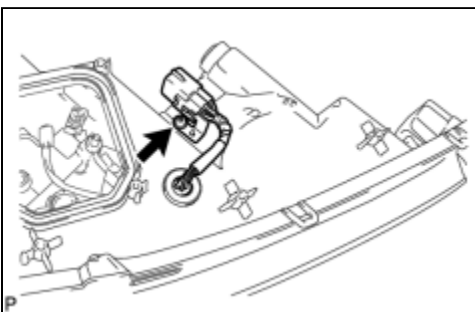
### 14. REMOVE HEADLIGHT SWIVEL MOTOR (for HID Headlight)



(a) Disconnect the connector.

(b) Remove the 3 screws and the headlight swivel motor.

### 15. REMOVE HEADLIGHT CORD (for HID Headlight)



(a) Remove the screw and the headlight cord.