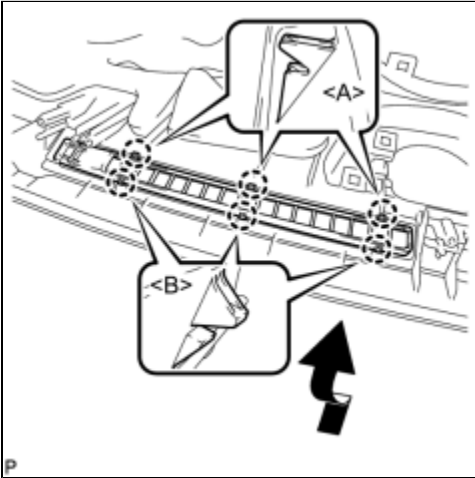


Last Modified: 7-13-2007		1.7 A
Service Category: Vehicle Interior	Section: Interior Panels/Trim	
Model Year: 2008	Model: ES350	Doc ID: RM000002DMG002X
Title: INSTRUMENT PANEL: INSTRUMENT PANEL SAFETY PAD: REASSEMBLY (2008 ES350)		

REASSEMBLY

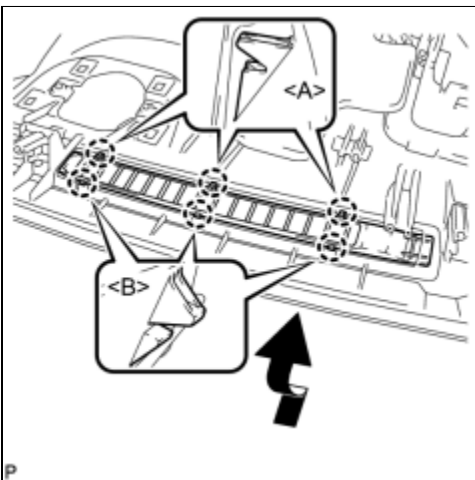
1. INSTALL NO. 2 DEFROSTER NOZZLE GARNISH



(a) Engage the 3 claws <A>.

(b) Engage the 3 claws and install the No. 2 defroster nozzle garnish as shown in the illustration.

2. INSTALL NO. 1 DEFROSTER NOZZLE GARNISH

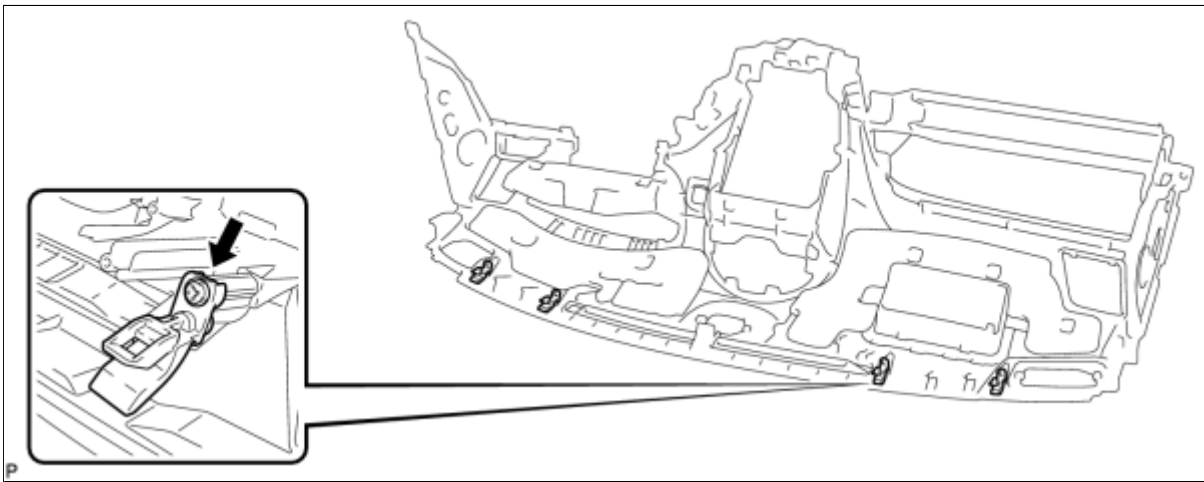


(a) Engage the 3 claws <A>.

(b) Engage the 3 claws and install the No. 1 defroster nozzle garnish as shown in the illustration.

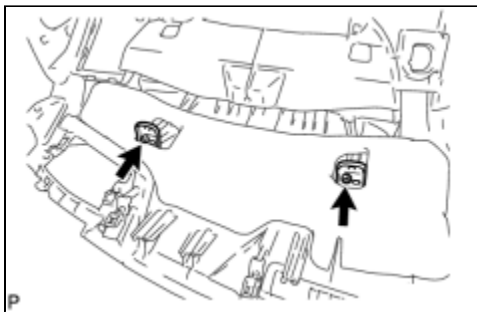
3. INSTALL NO. 1 INSTRUMENT PANEL PIN

(a) Install the 4 No. 1 instrument panel pins with the 4 screws <I>.



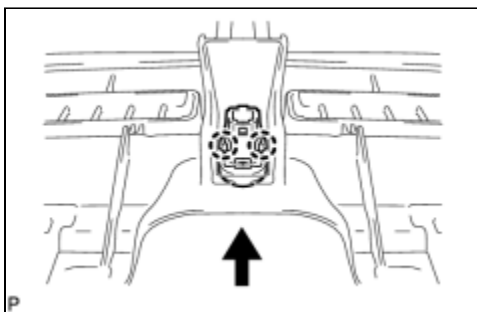
4. INSTALL FRONT PASSENGER AIRBAG ASSEMBLY [INFO](#)

5. INSTALL NO. 1 METER HOOD RETAINER



(a) Install the 2 No. 1 meter hood retainers with the 2 screws <I>.

6. INSTALL AUTOMATIC LIGHT CONTROL SENSOR

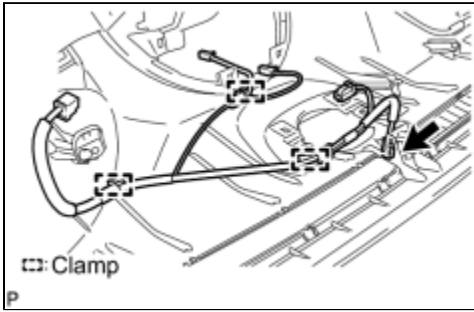


(a) Engage the 2 claws and install the automatic light control sensor.

7. INSTALL NAVIGATION ANTENNA ASSEMBLY [INFO](#)

8. INSTALL NO. 3 INSTRUMENT PANEL WIRE

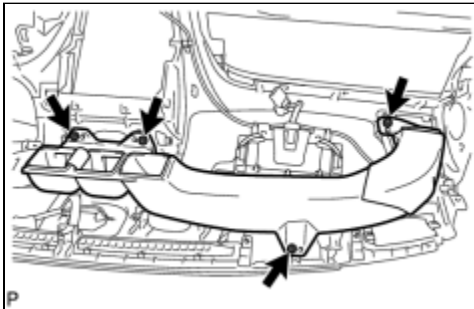
(a) Engage the 3 clamps.



(b) Connect the connector and install the No. 3 instrument panel wire.

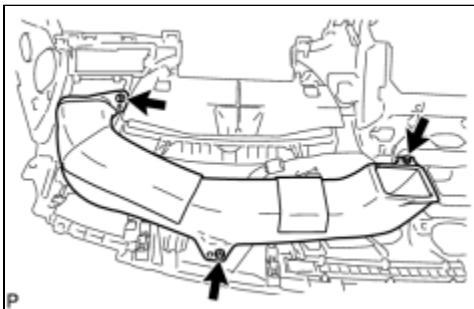
9. INSTALL NO. 2 ANTENNA CORD SUB-ASSEMBLY [INFO](#)

10. INSTALL NO. 2 HEATER TO REGISTER DUCT



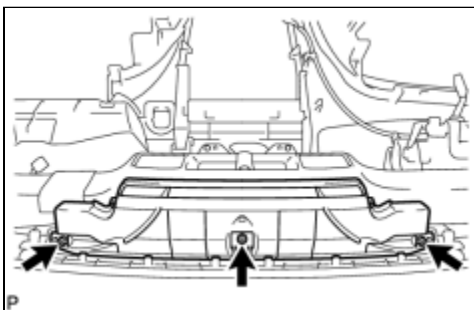
(a) Install the No. 2 heater to register duct with the 4 screws <F>.

11. INSTALL NO. 1 HEATER TO REGISTER DUCT



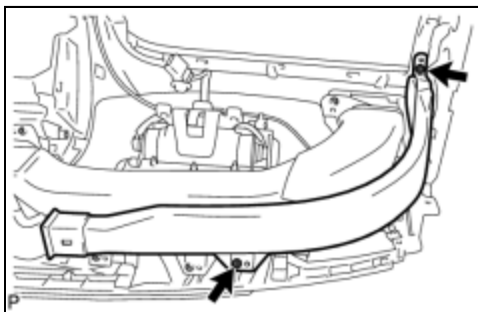
(a) Install the No. 1 heater to register duct with the 3 screws <F>.

12. INSTALL DEFROSTER NOZZLE ASSEMBLY



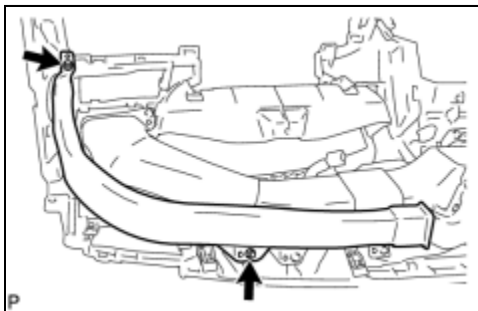
(a) Install the defroster nozzle assembly with the 3 screws <F>.

13. INSTALL SIDE NO. 2 DEFROSTER NOZZLE DUCT



(a) Install the side No. 2 defroster nozzle duct with the 2 screws <F>.

14. INSTALL SIDE NO. 1 DEFROSTER NOZZLE DUCT



(a) Install the side No. 1 defroster nozzle duct with the 2 screws <F>.

