

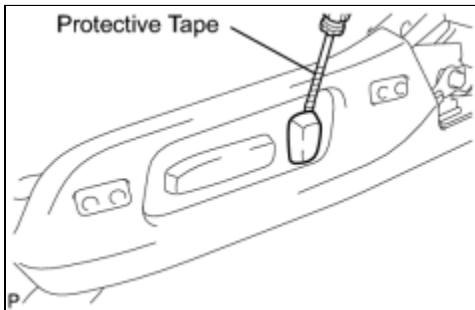
Last Modified: 7-13-2007		1.7 A
Service Category: Vehicle Interior	Section: Seat	
Model Year: 2008	Model: ES350	Doc ID: RM000001OH1003X
Title: SEAT: FRONT SEAT ASSEMBLY: DISASSEMBLY (2008 ES350)		

DISASSEMBLY

1. REMOVE FRONT SEAT INNER BELT ASSEMBLY [INFO](#)

2. REMOVE OCCUPANT DETECTION ECU [INFO](#)

3. REMOVE RECLINING POWER SEAT SWITCH KNOB

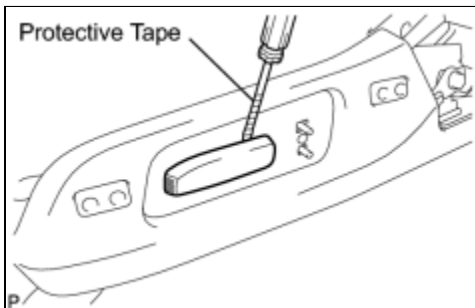


(a) Using a screwdriver, remove the reclining power seat switch knob.

HINT:

Tape the screwdriver tip before use.

4. REMOVE SLIDE AND VERTICAL POWER SEAT SWITCH KNOB

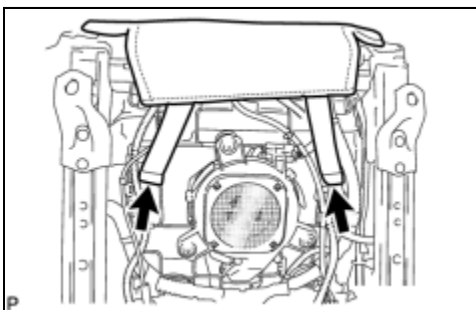


(a) Using a screwdriver, remove the slide and vertical power seat switch knob.

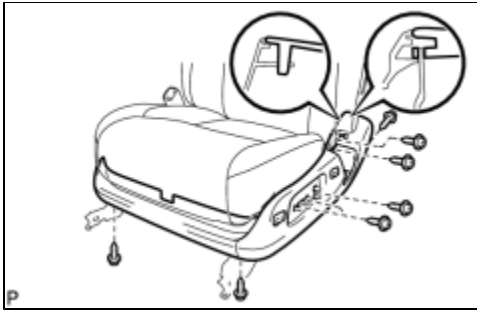
HINT:

Tape the screwdriver tip before use.

5. REMOVE FRONT SEAT CUSHION SHIELD ASSEMBLY

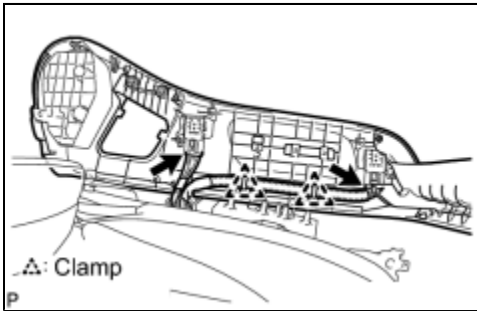


(a) Release the 2 rubber bands on the backside of the front seatback board sub-assembly.



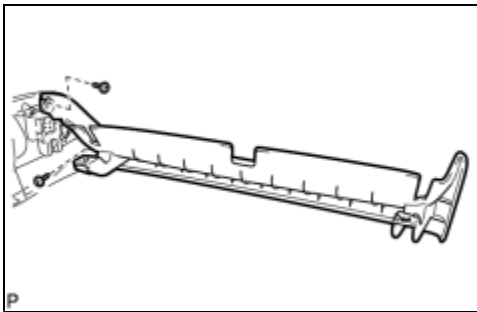
(b) Remove the 8 screws.

(c) Disengage the 2 claws and separate the front seat cushion shield assembly.



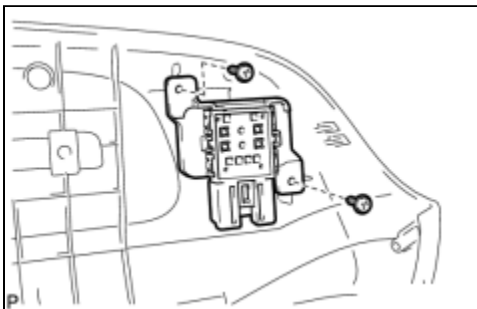
(d) Disconnect the 2 clamps and 2 connectors, and then remove the front seat cushion shield assembly.

6. REMOVE FRONT INNER NO. 1 SEAT CUSHION SHIELD



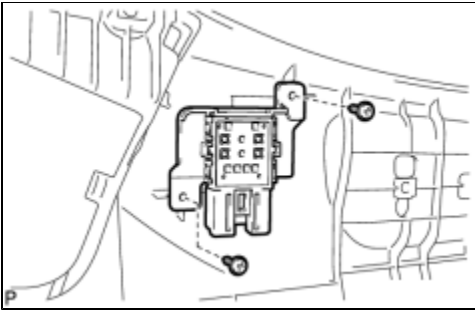
(a) Remove the 2 screws and front inner No. 1 seat cushion shield.

7. REMOVE SEAT VARIABLE CUSHION SWITCH (w/ Seat Cushion Front Edge Adjustment Function)



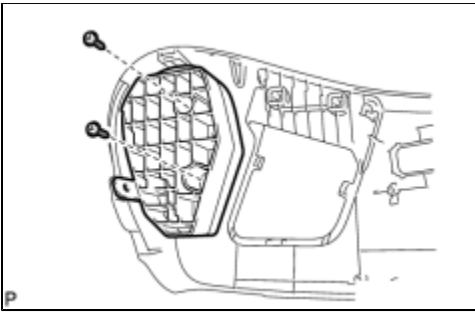
(a) Remove the 2 screws and seat variable cushion switch.

8. REMOVE FRONT POWER SEAT LUMBAR SWITCH



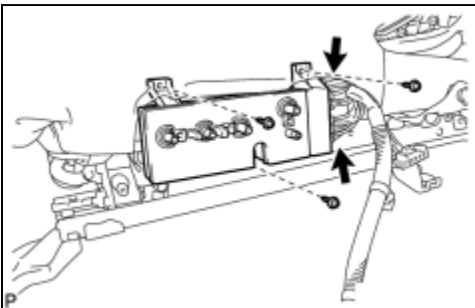
(a) Remove the 2 screws and front power seat lumbar switch.

9. REMOVE LOWER NO. 3 SEAT TRACK SPACER



(a) Remove the 2 screws and lower No. 3 seat track spacer.

10. REMOVE FRONT POWER SEAT SWITCH (w/ Seat Position Memory System)



(a) Disconnect the 2 connectors.

(b) Remove the 3 screws and front power seat switch.

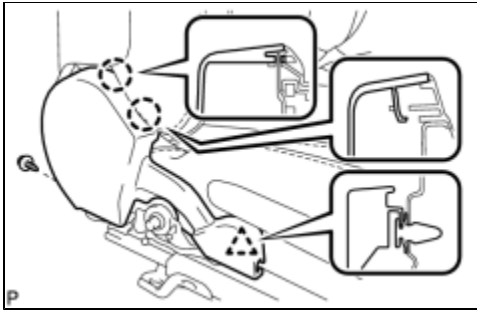
11. REMOVE FRONT POWER SEAT SWITCH (w/o Seat Position Memory System)

(a) Disconnect the connector.

(b) Remove the 3 screws and power seat switch.

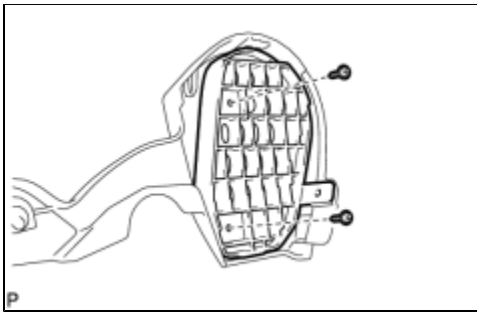
12. REMOVE FRONT SEAT INNER CUSHION SHIELD

(a) Remove the screw.



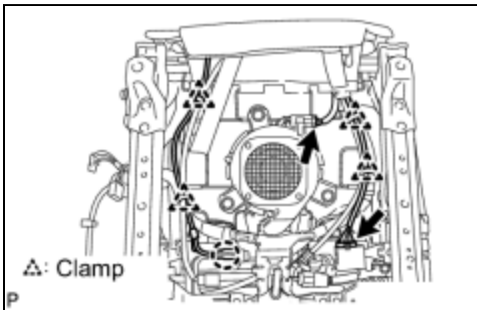
(b) Disengage the 2 claws and clip, and then remove the front seat inner cushion shield.

13. REMOVE LOWER NO. 4 SEAT TRACK SPACER



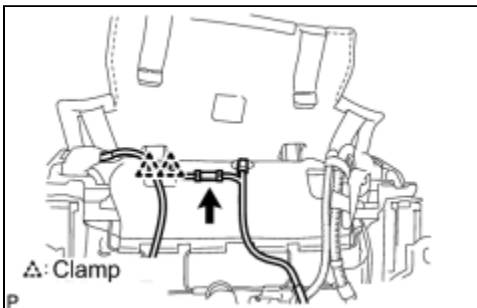
(a) Remove the 2 screws and lower No. 4 seat track spacer.

14. REMOVE FRONT SEPARATE TYPE SEAT CUSHION COVER WITH PAD (w/o Seat Cushion Front Edge Adjustment Function)

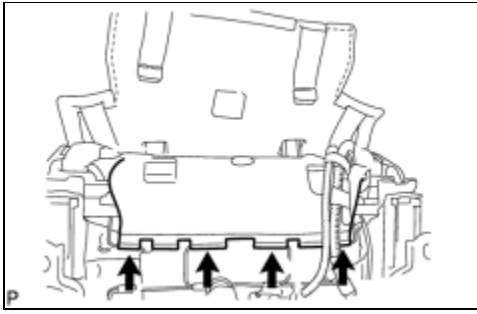


(a) Disconnect the 2 connectors.

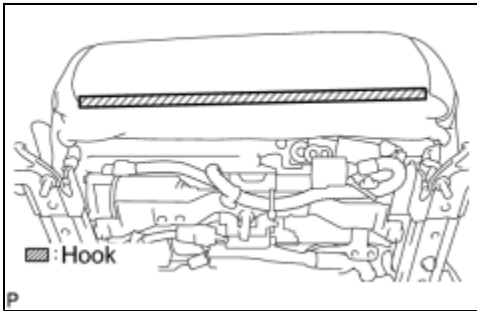
(b) Disengage the 4 clamps and claw.



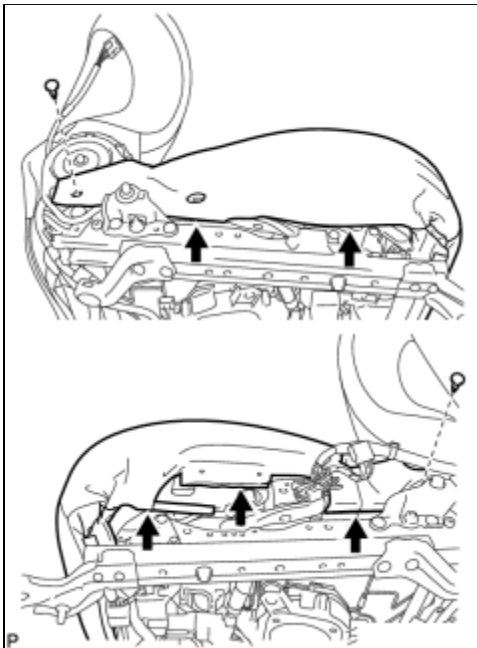
(c) Disconnect the connector and detach the 2 clamps.



(d) Disengage the 4 clamps.



(e) Using a screwdriver, detach the hook.

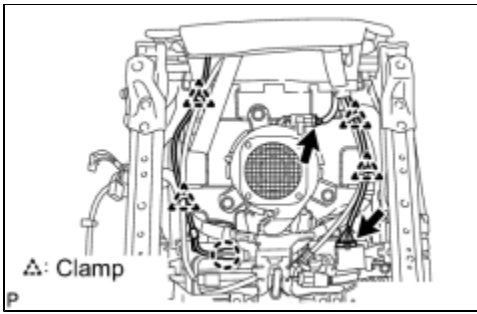


(f) Remove the 2 clips.

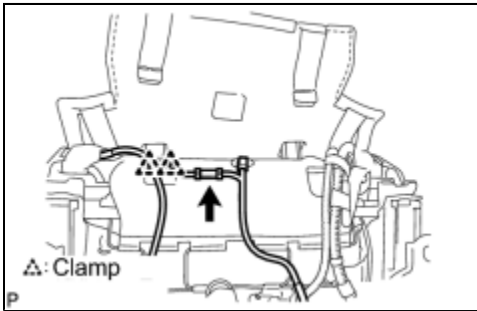
(g) Disengage the hooks and remove the front separate type seat cushion cover with pad.

15. REMOVE FRONT SEPARATE TYPE SEAT CUSHION COVER WITH PAD (w/ Seat Cushion Front Edge Adjustment Function)

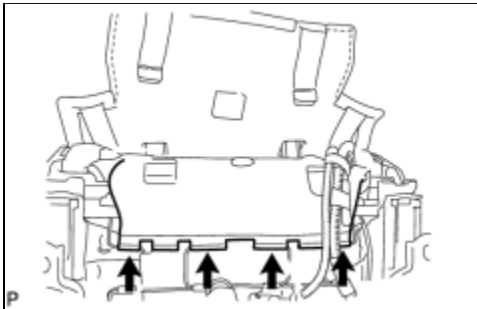
(a) Disconnect the 2 connectors.



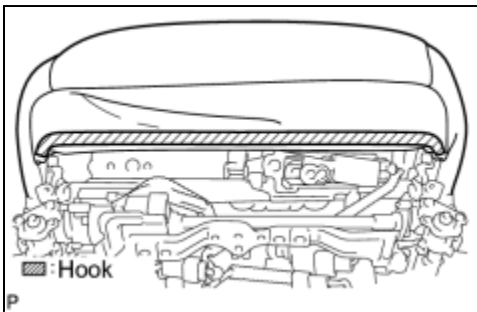
(b) Disengage the 4 clamps and claw.



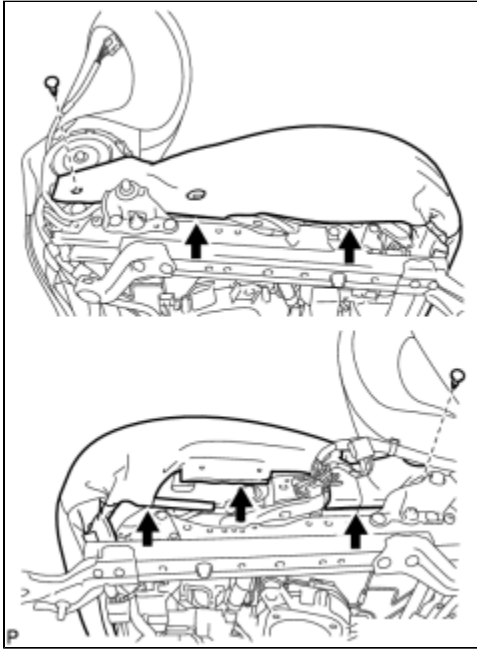
(c) Disconnect the connector and detach the 2 clamps.



(d) Disengage the 4 clamps.

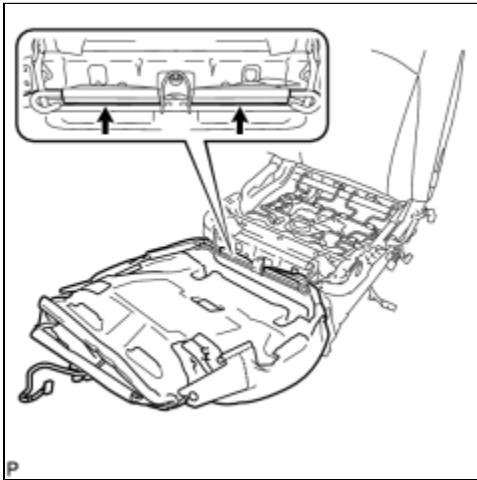


(e) Using a screwdriver, detach the hook.



(f) Remove the 2 clips.

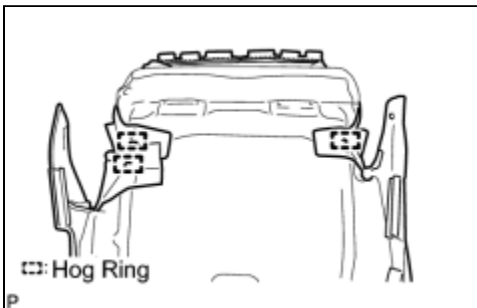
(g) Disengage the hooks and clamp.



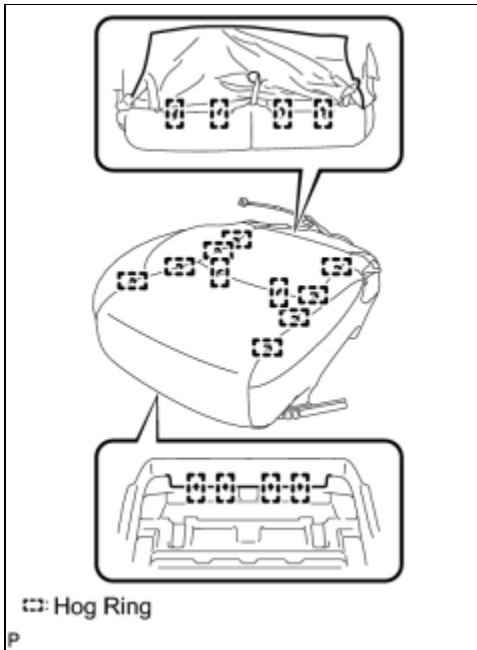
(h) Disengage the 2 hooks and remove the front separate type seat cushion cover with pad.

16. REMOVE FRONT SEAT CUSHION ASSEMBLY INFO

17. REMOVE FRONT SEPARATE TYPE SEAT CUSHION COVER (w/o Seat Cushion Front Edge Adjustment Function)

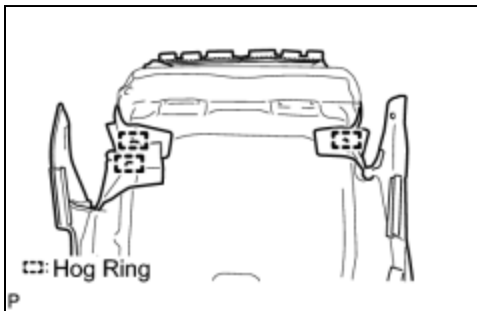


(a) Remove the 3 hog rings.

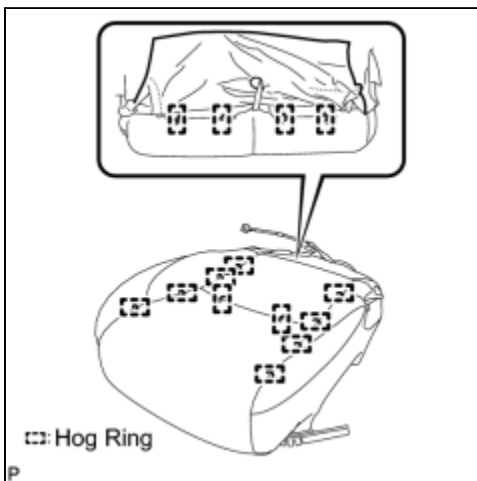


(b) Remove the 18 hog rings and front separate type front seat cushion cover.

18. REMOVE FRONT SEPARATE TYPE SEAT CUSHION COVER (w/ Seat Cushion Front Edge Adjustment Function)

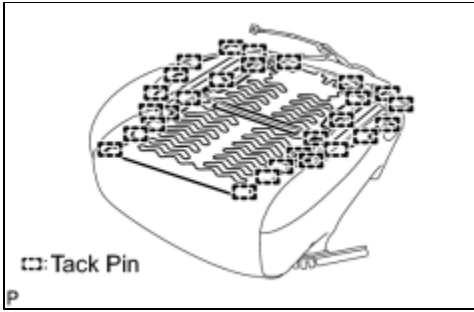


(a) Remove the 3 hog rings.



(b) Remove the 14 hog rings and front separate type front seat cushion cover.

19. REMOVE FRONT SEAT CUSHION HEATER ASSEMBLY (w/ Climate Control Seat System)



- (a) Cut off the tack pins that fasten the seat heater, and then remove the front seat cushion heater from the front separate type seat cushion cover.

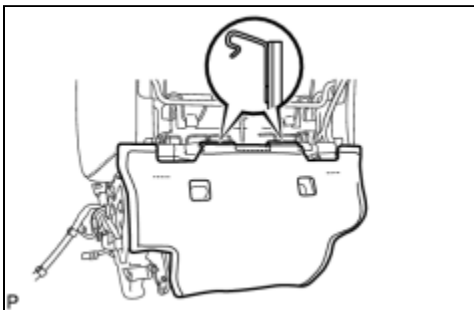
20. REMOVE FRONT SEATBACK BOARD SUB-ASSEMBLY



- (a) Open the front seatback board cover sub-assembly of the front seatback board sub-assembly. Then remove the 2 screws.

- (b) Pull the seatback board in the direction indicated by the arrow in the illustration to disengage the 2 claws. Then remove the front seatback board sub-assembly.

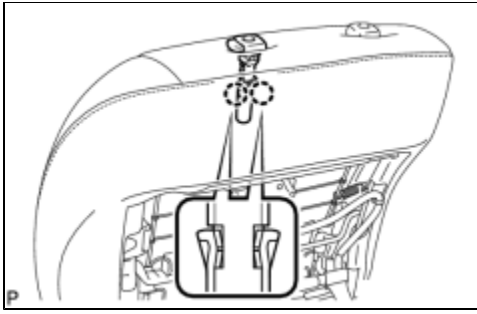
21. REMOVE FRONT SEATBACK BOARD COVER SUB-ASSEMBLY



- (a) Disengage the hooks and front seatback board cover sub-assembly.

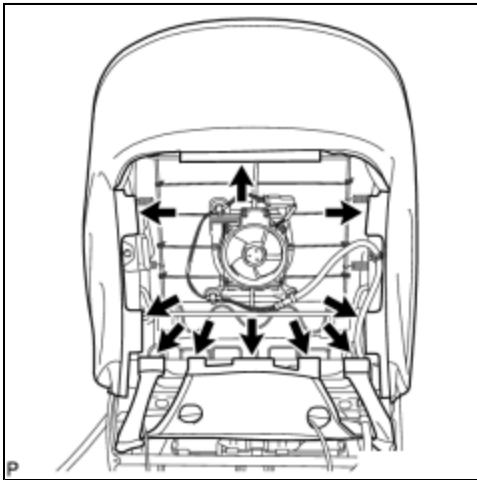
22. REMOVE FRONT SEAT HEADREST SUPPORT

- (a) Disengage the 2 claws to remove the front seat headrest support.

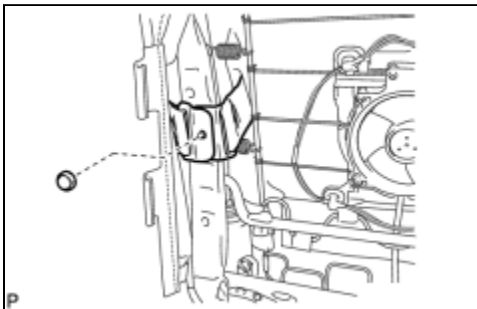


23. REMOVE FRONT SEAT HEADREST SUPPORT

24. REMOVE FRONT SEPARATE TYPE SEATBACK COVER WITH PAD



(a) Disengage the hooks.

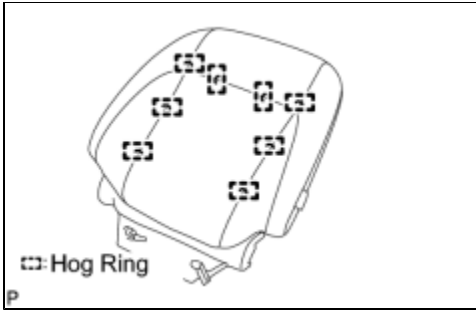


(b) Remove the nut and separate the bracket.

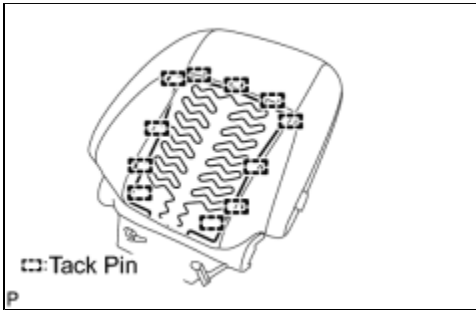
(c) Remove the front separate type seatback cover with pad.

25. REMOVE FRONT SEPARATE TYPE SEATBACK COVER

(a) Remove the 8 hog rings and the front separate type seatback cover.

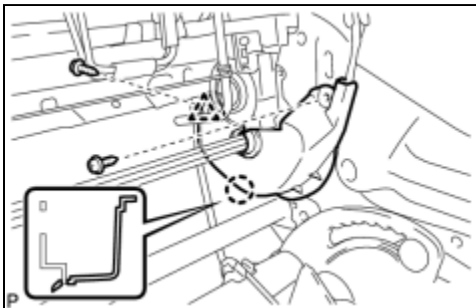


26. REMOVE FRONT SEATBACK HEATER ASSEMBLY (w/ Climate Control Seat System)



- (a) Cut off the tack pins that fasten the seat heater, and then remove the front seatback heater assembly from the separate type front seatback cover.

27. REMOVE SEAT RECLINING ADJUSTER INSIDE COVER LH



- (a) Remove the 2 screws.

(b) Disengage the clamp.

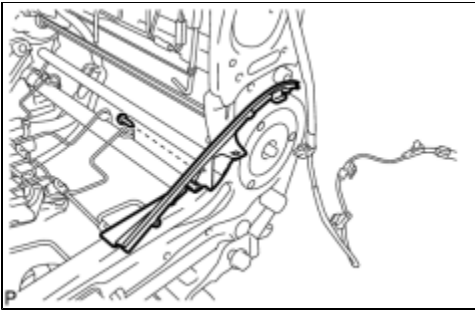
(c) Disengage the claw and remove the seat reclining adjuster inside cover LH.

28. REMOVE SEAT RECLINING ADJUSTER INSIDE COVER RH

HINT:

Use the same procedure for the RH side and the LH side.

29. REMOVE RECLINING ADJUSTER INSIDE COVER LH



(a) Remove the screw.

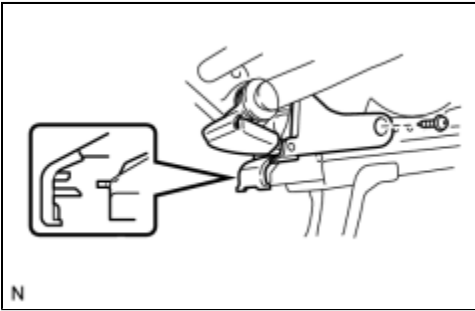
(b) Remove the reclining adjuster inside cover LH.

30. REMOVE RECLINING ADJUSTER INSIDE COVER RH

HINT:

Use the same procedure for the RH side and the LH side.

31. REMOVE FRONT SEAT LOWER CUSHION SHIELD LH



(a) Remove the screw.

(b) Disengage the hook to remove the front seat lower cushion shield LH as shown in the illustration.

32. REMOVE FRONT SEAT LOWER CUSHION SHIELD RH

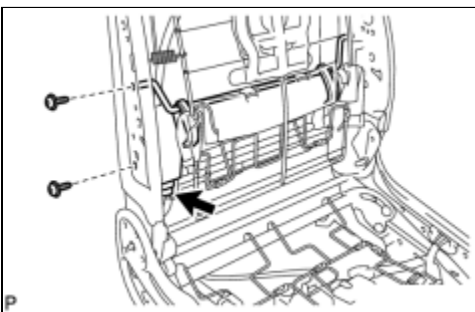
HINT:

Use the same procedure for the RH side and the LH side.

33. REMOVE SEAT POSITION SENSOR (for Driver Side)



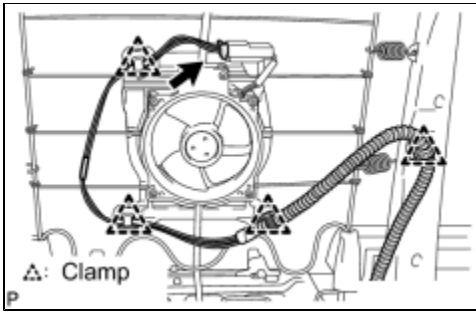
34. REMOVE LUMBAR SUPPORT ADJUSTER ASSEMBLY



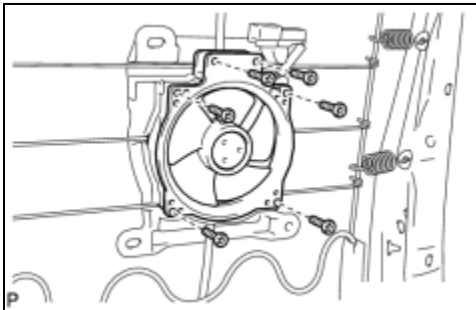
(a) Disconnect the connector.

(b) Remove the 2 screws and lumbar support adjuster assembly.

35. REMOVE SEATBACK CLIMATE CONTROL BLOWER (w/ Climate Control Seat System)

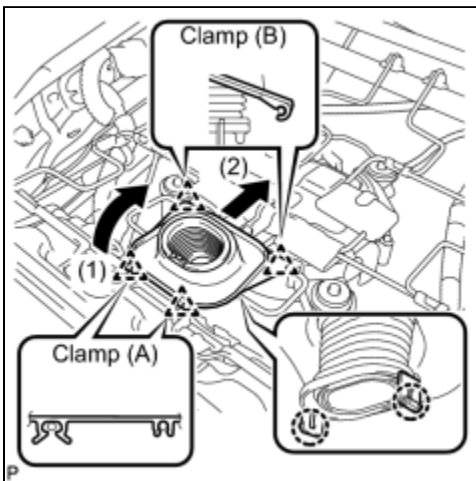


(a) Disconnect the connector and detach the 4 clamps.



(b) Using a T30 "TORX" socket, remove the 6 "TORX" bolts and remove the seatback climate control blower.

36. REMOVE SEAT CUSHION CLIMATE CONTROL DUCT (w/ Climate Control Seat System)

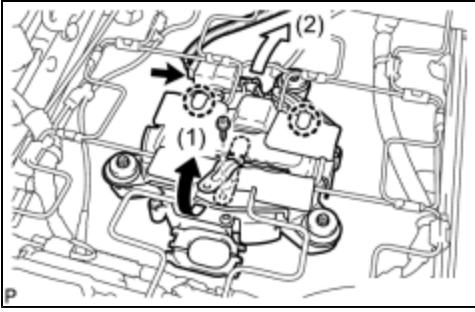


(a) Separate the 2 clamps (A) in the direction indicated by the arrow (1).

(b) Separate the 2 clamps (B) in the direction indicated by the arrow (2).

(c) Disengage the 2 claws, and remove the seat cushion climate control duct.

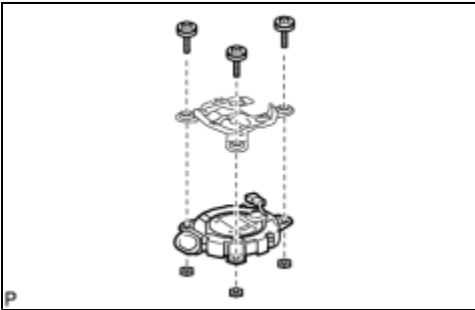
37. REMOVE SEAT CUSHION CLIMATE CONTROL BLOWER (w/ Climate Control Seat System)



(a) Disconnect the connector.

(b) Remove the screw, detach the claw and remove the seat cushion climate control blower.

38. REMOVE SEAT CLIMATE CONTROL BLOWER



(a) Remove the 3 bolts, 3 nuts, bracket, and seat climate control blower.

39. REMOVE SEAT HEATER CONTROL INFO

40. REMOVE FRONT SEAT WIRE

(a) Disengage the clamps.

(b) Disconnect the connectors and remove the front seat wire.

