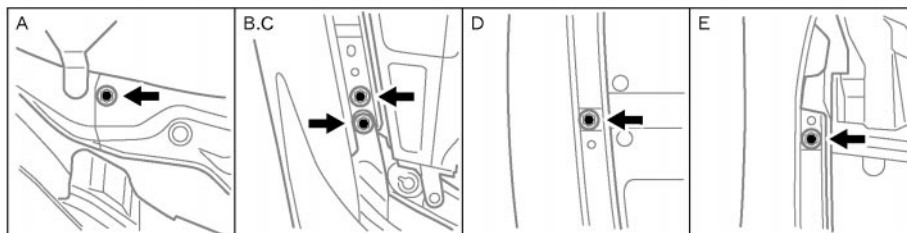
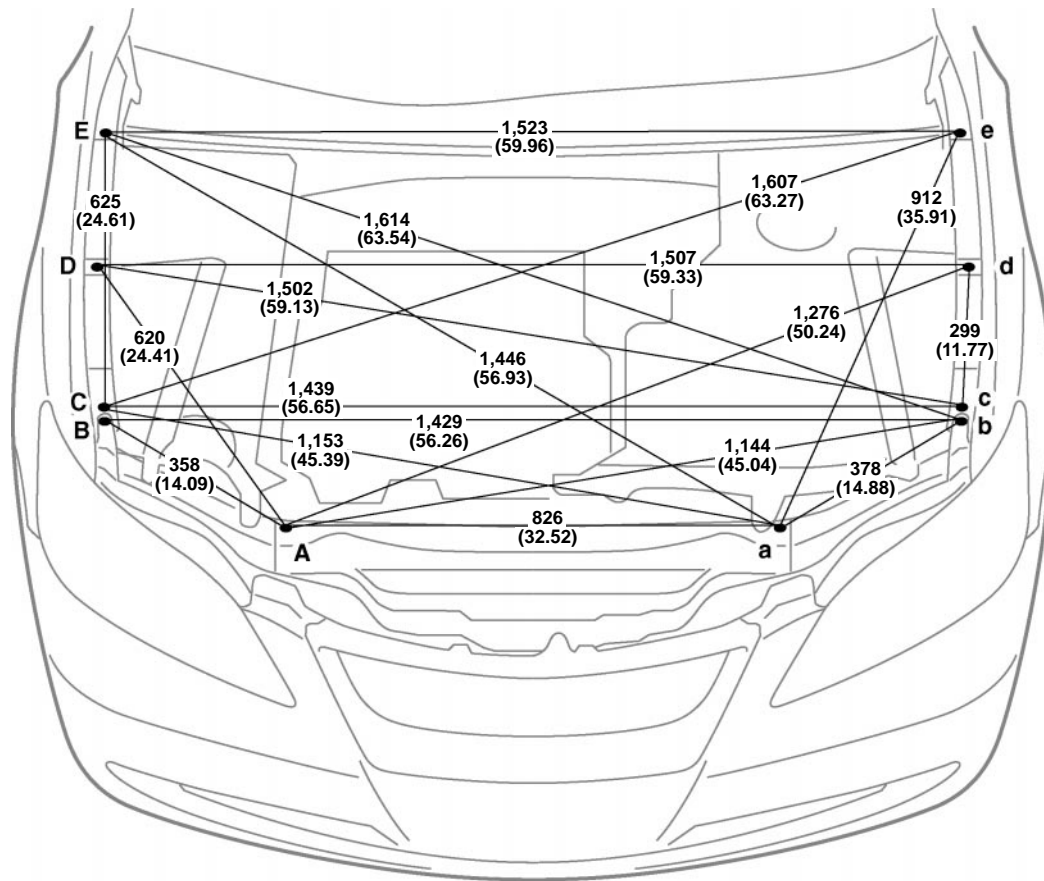


REFERENCE VALUE ENGINE COMPARTMENT

(Three-Dimensional Distance)



Vehicle Dimensions

B-E or b-e
654 (25.75)

HINT:

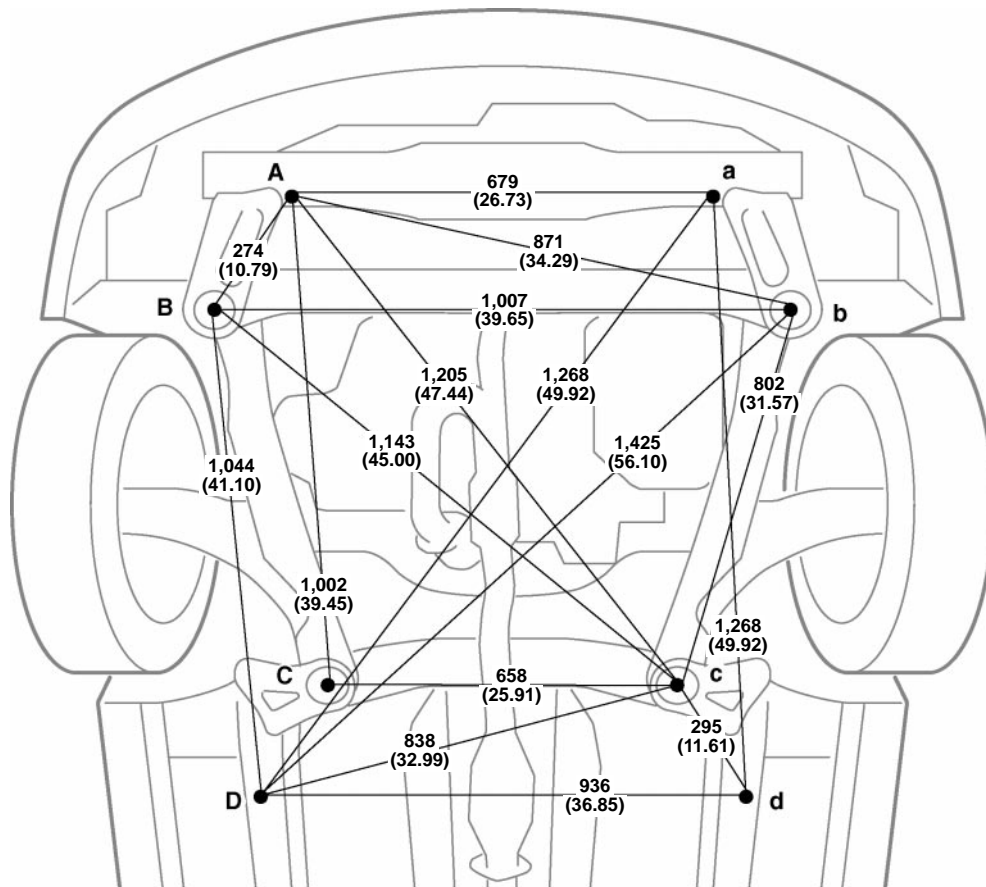
- 1) For symbols, capital letters indicate right side of vehicle, small letters indicate left side of vehicle (seen from rear).
- 2) These values are actual measurements made on model.
Use these reference values.
- 3) Measure point "A, a" with the Cool air intake duct seal removed.
- 4) Measure point "B, b, C, c, D, d, E, e" with the Hood to front fender seal removed.

mm (in.)

Symbol	Name	Hole dia.	C, c	Front fender installation bolt	—
A, a	Radiator upper support installation bolt	—	D, d	Front fender installation bolt	—
B, b	Headlight installation bolt	—	E, e	Front fender installation bolt	—

UNDER BODY

(Three-Dimensional Distance)



HINT:

1) For symbols, capital letters indicate right side of vehicle, small letters indicate left side of vehicle (seen from rear).

2) These values are actual measurements made on model.

Use these reference values.

3) Measure point "A, a" with the Engine under cover removed.

mm (in.)

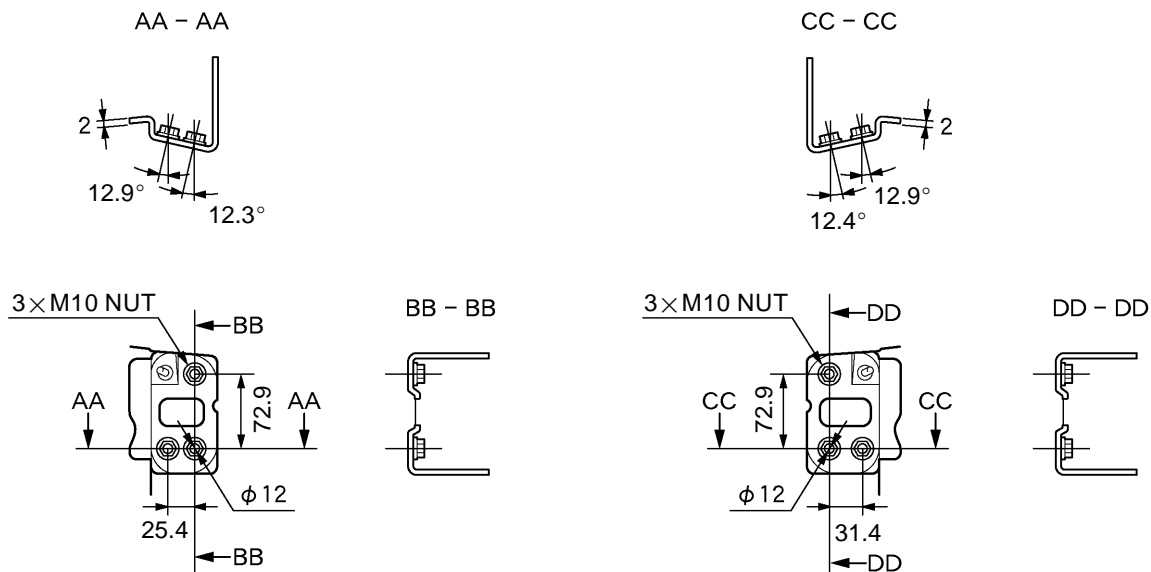
Symbol	Name	Hole dia.	C, c	Front suspension member installation bolt	—
A, a	Front crossmember No.2 reinforcement standard hole	ø10 (0.39)	D, d	Front side member standard hole	ø18 (0.71)
B, b	Front suspension member reinforcement installation bolt	—	—	—	—

(Two-Dimensional Distance)

Front bumper reinforcement

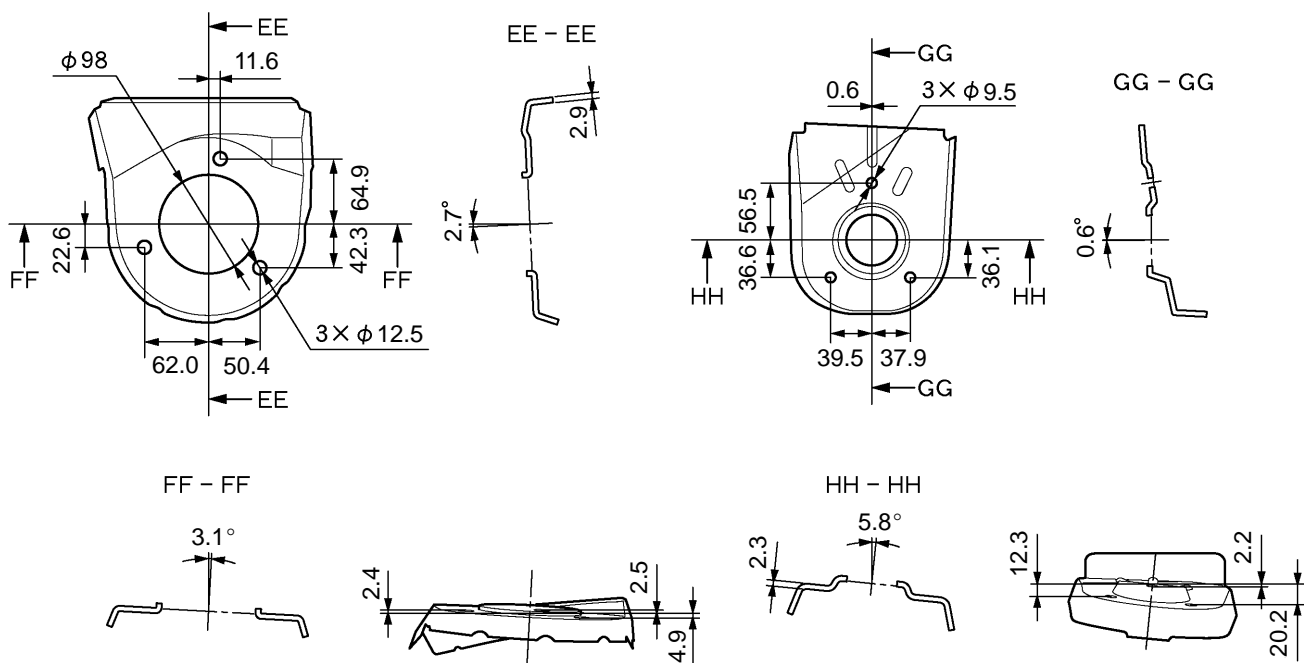
[RH]

[LH]



Front spring support

Rear spring support



mm