

Last Modified: 7-13-2007		1.7 A
Service Category: Vehicle Interior	Section: Interior Panels/Trim	
Model Year: 2008	Model: ES350	Doc ID: RM000002DMJ003X
Title: INTERIOR: REAR CONSOLE BOX: REMOVAL (2008 ES350)		

REMOVAL

1. REMOVE INSTRUMENT PANEL FINISH PANEL END LH

[INFO](#)

2. REMOVE INSTRUMENT PANEL FINISH PANEL END RH

[INFO](#)

3. REMOVE SHIFT LEVER KNOB SUB-ASSEMBLY

[INFO](#)

4. REMOVE UPPER CONSOLE PANEL ASSEMBLY WITH FRONT ASH RECEPTACLE

[INFO](#)

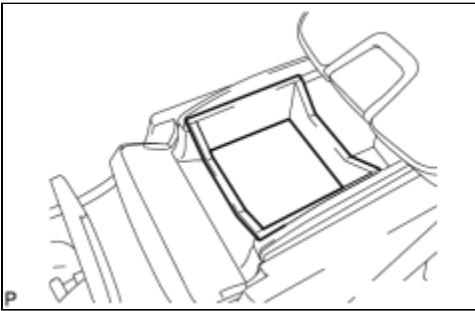
5. REMOVE HEATER SEAT SWITCH CONSOLE BASE (w/o Seat Heater System)

[INFO](#)

6. REMOVE HEATER SEAT SWITCH CONSOLE BASE (w/ Seat Heater System)

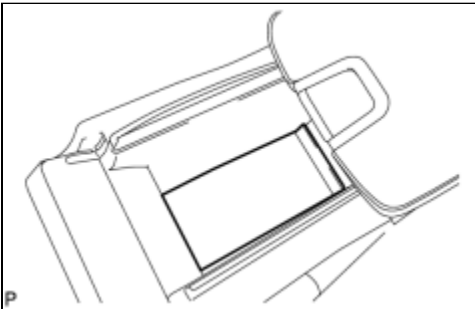
[INFO](#)

7. REMOVE CONSOLE BOX POCKET



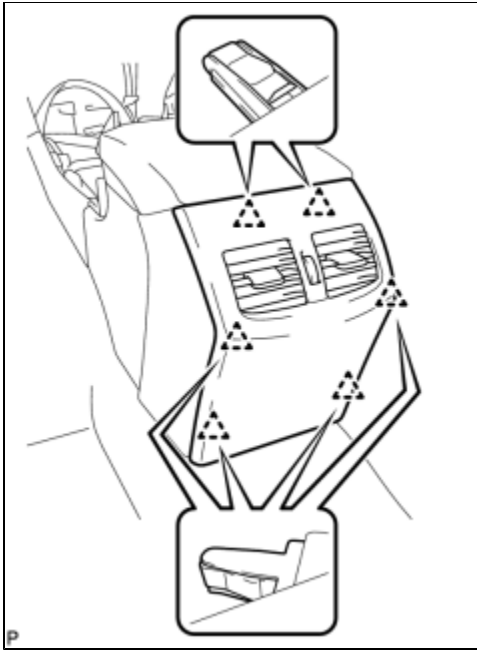
(a) Remove the console box pocket.

8. REMOVE CONSOLE BOX CARPET



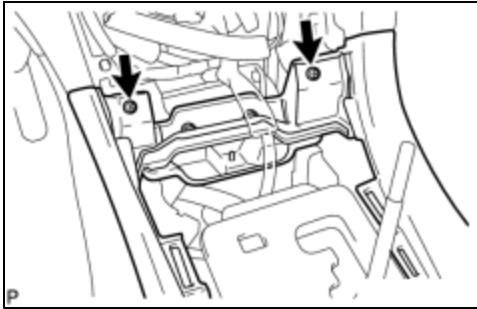
(a) Remove the console box carpet.

9. REMOVE CONSOLE REAR END PANEL SUB-ASSEMBLY

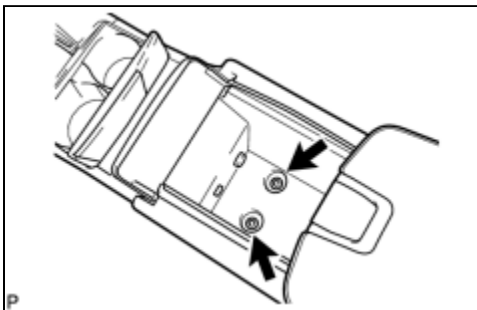


(a) Disengage the 6 claws and remove the console rear end panel sub-assembly.

10. REMOVE REAR CONSOLE BOX ASSEMBLY

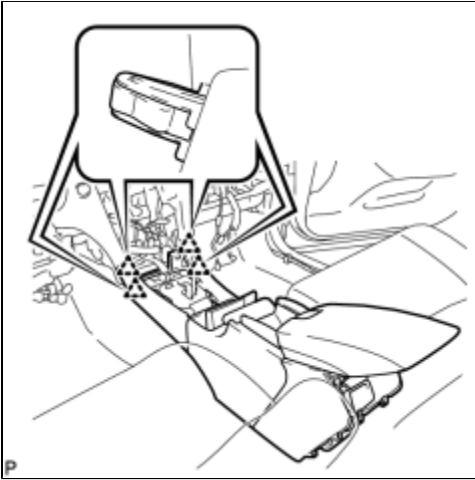
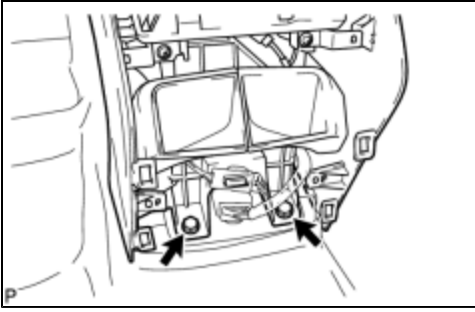


(a) Remove the 2 screws.



(b) Remove the 2 bolts.

(c) Remove the 2 bolts.



(d) Disengage the 4 clips and remove the rear console box assembly.

(e) Disconnect each connector.

