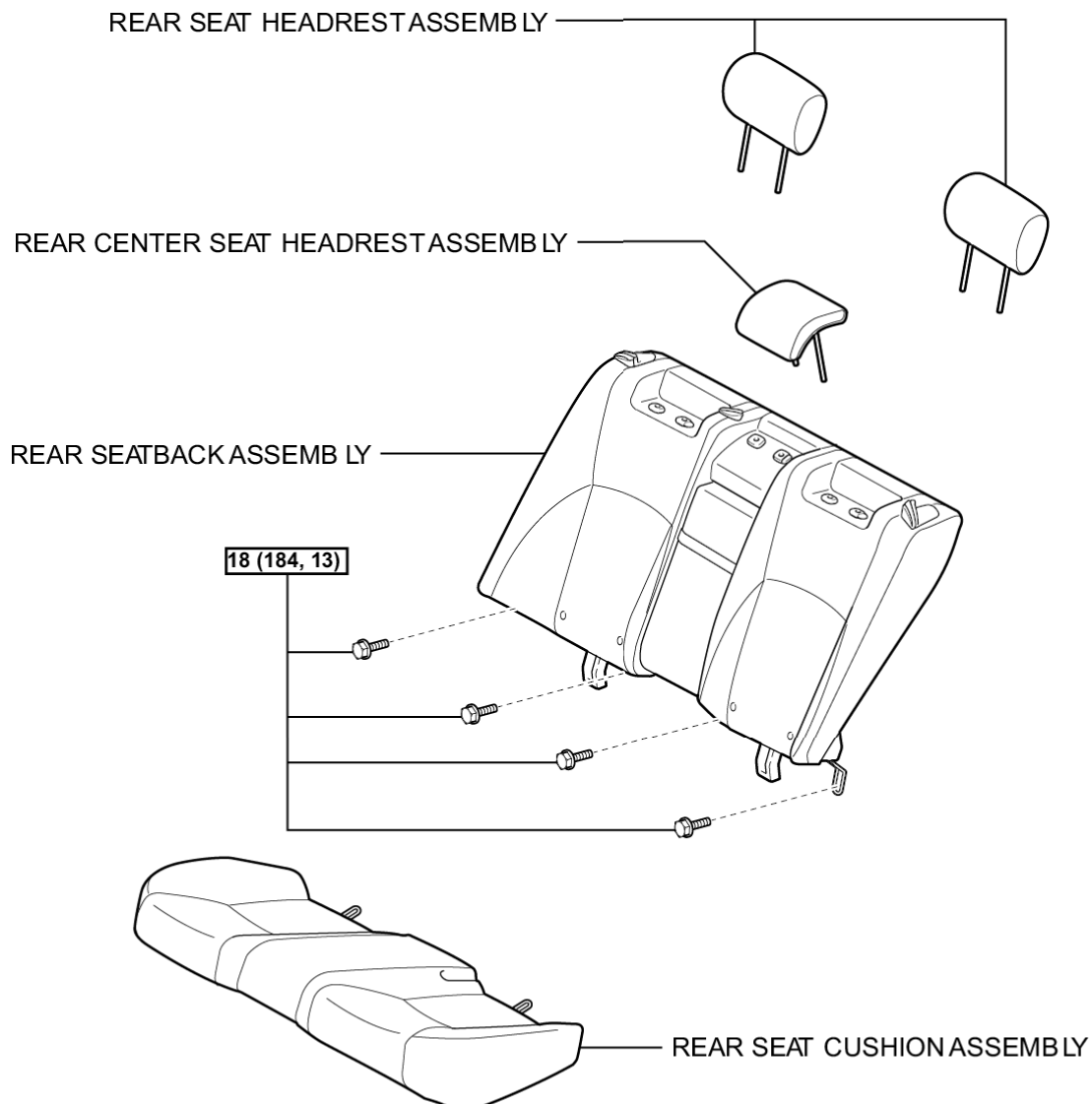


Last Modified: 7-13-2007		1.6 K
Service Category: Audio/Visual/Telematics		Section: Audio/Video
Model Year: 2008	Model: ES350	Doc ID: RM000001PZ9008X
Title: AUDIO / VISUAL: REAR CENTER SPEAKER: COMPONENTS (2008 ES350)		

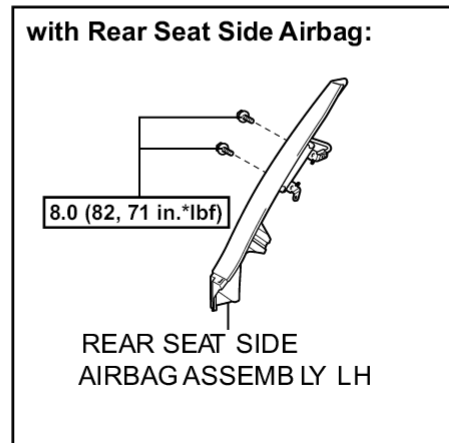
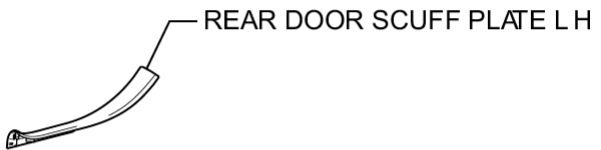
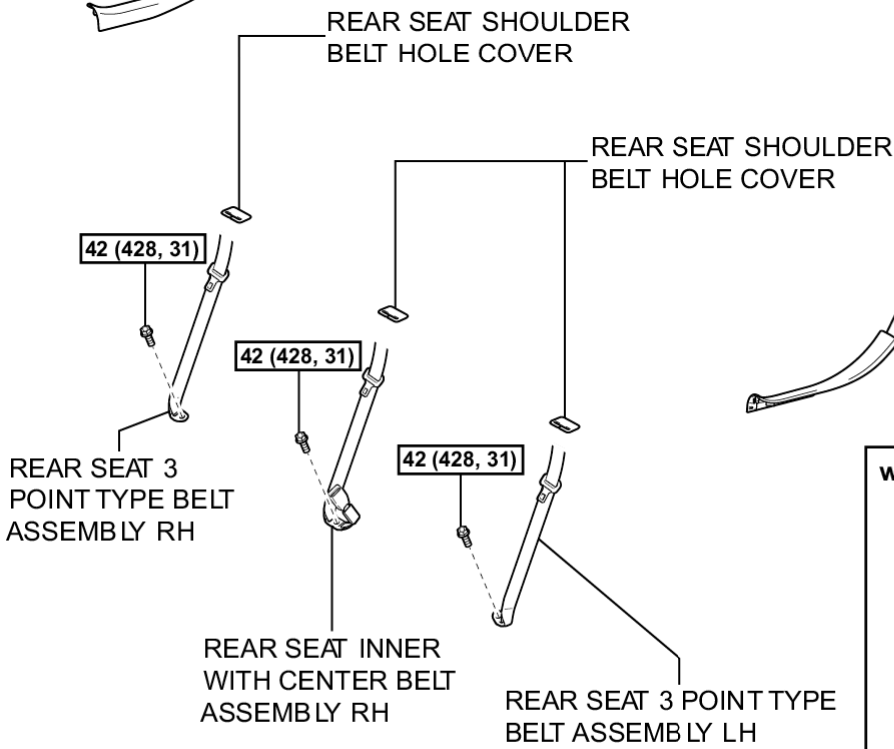
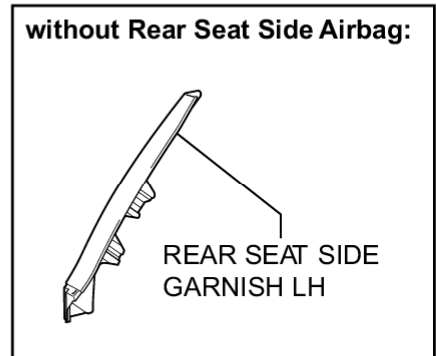
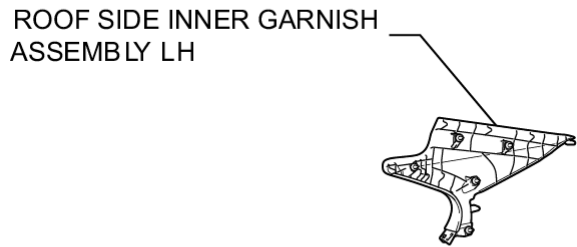
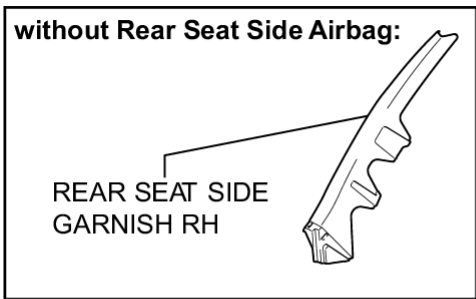
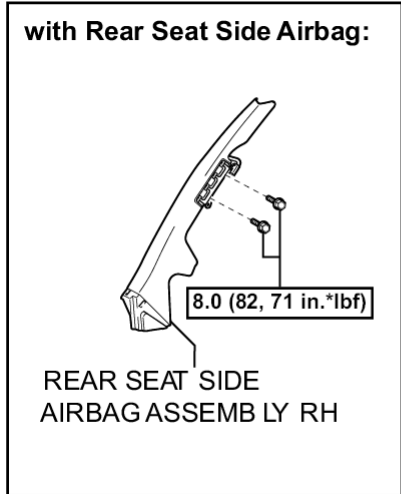
COMPONENTS

ILLUSTRATION



N*m (kgf*cm, ft.*lbf) : Specified torque

ILLUSTRATION

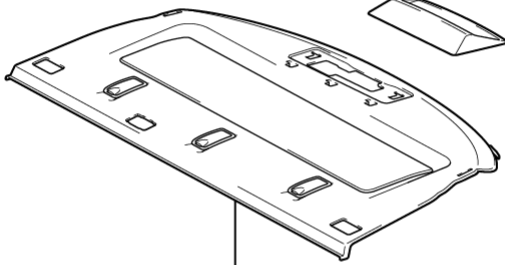


N*m (kgf*cm, ft.*lbf) : Specified torque

ILLUSTRATION

without Rear Sunshade:

CENTER STOP LIGHT SET

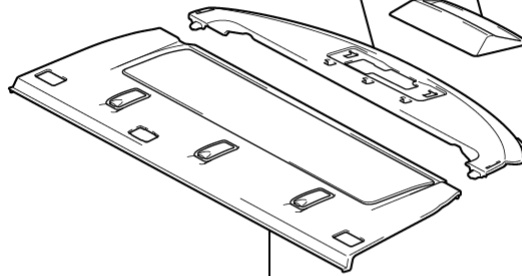


PACKAGE TRAY TRIM PANEL ASSEMBLY

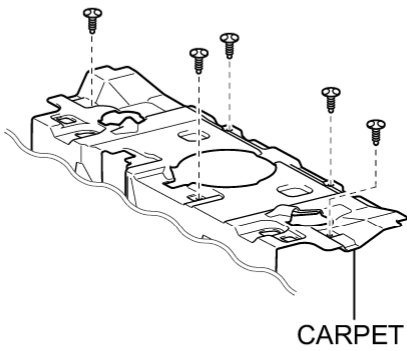
with Rear Sunshade:

CENTER STOP LIGHT SET

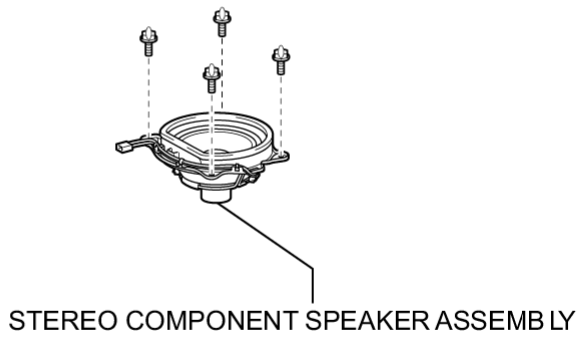
NO. 2 PACKAGE TRAY TRIM PANEL ASSEMBLY



PACKAGE TRAY TRIM PANEL ASSEMBLY

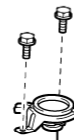


CARPET

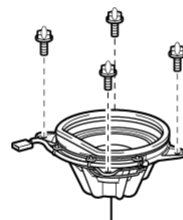


STEREO COMPONENT SPEAKER ASSEMBLY

with Rear Header Speaker:



REAR HEADER SPEAKER ASSEMBLY



STEREO COMPONENT SPEAKER ASSEMBLY

