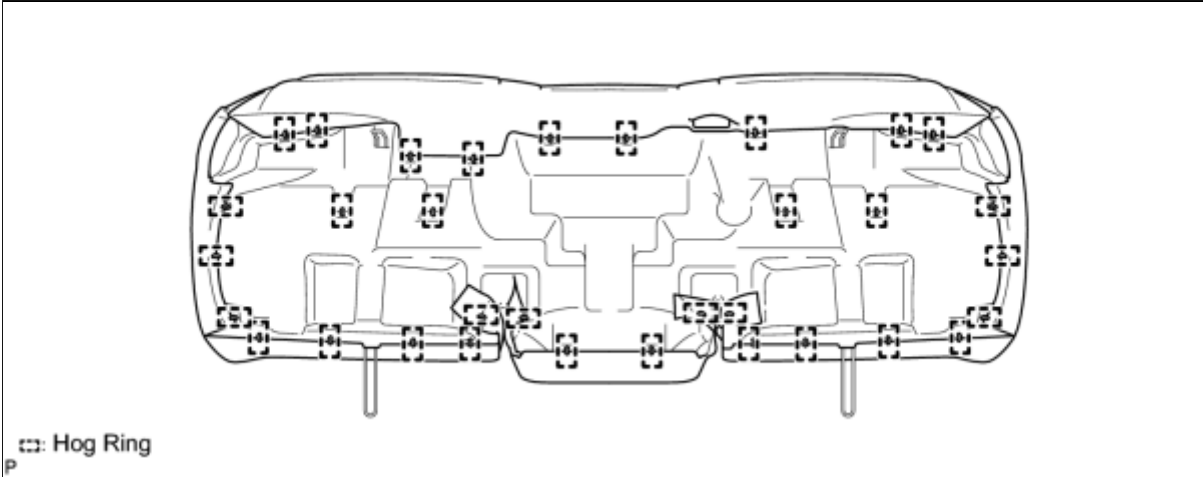


Last Modified: 7-13-2007		1.7 A
Service Category: Vehicle Interior	Section: Seat	
Model Year: 2008	Model: ES350	Doc ID: RM000000VBM00LX
Title: SEAT: REAR SEAT ASSEMBLY: DISASSEMBLY (2008 ES350)		

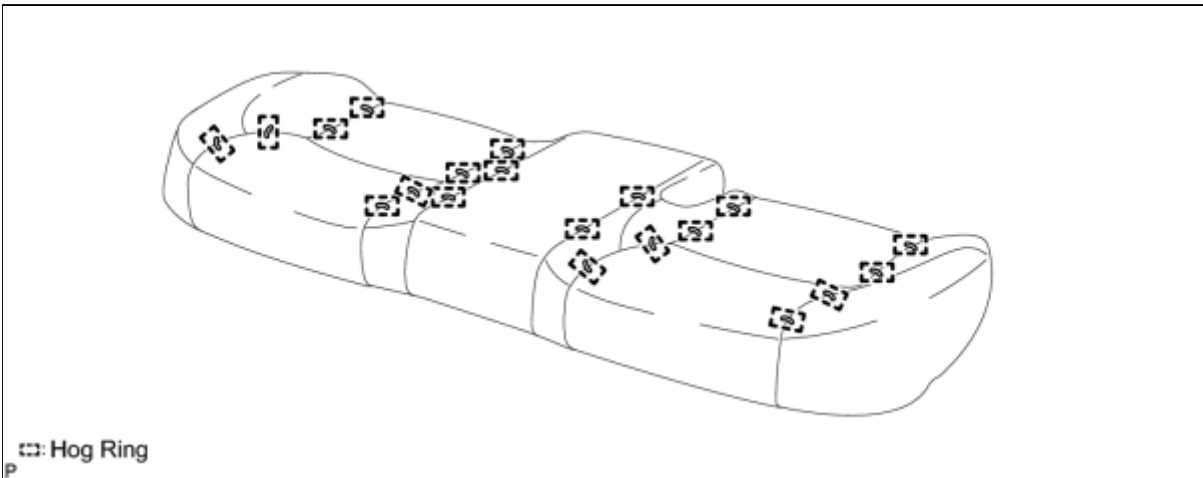
## DISASSEMBLY

### 1. REMOVE REAR BENCH TYPE SEAT CUSHION COVER

- (a) Remove the 33 hog rings.

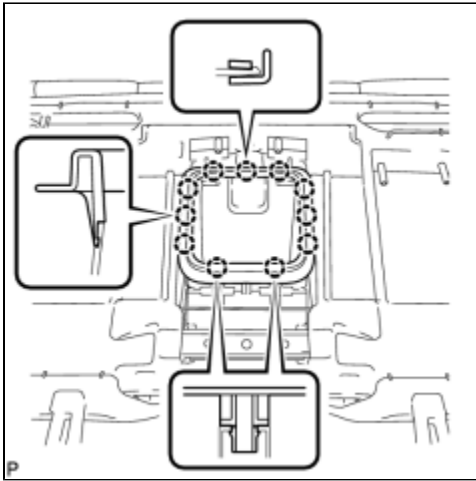


- (b) Remove the 20 hog rings and seat cushion cover from the seat cushion frame (with pad).

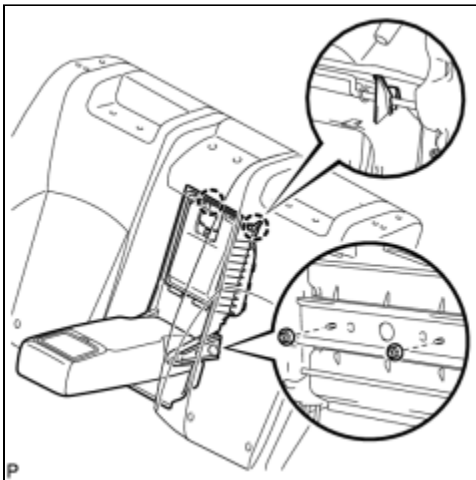


### 2. REMOVE INNER CENTER SEAT ARMREST PLATE

- (a) Disengage the 11 claws and remove the inner center seat armrest plate.



### 3. REMOVE REAR CENTER SEAT ARMREST ASSEMBLY

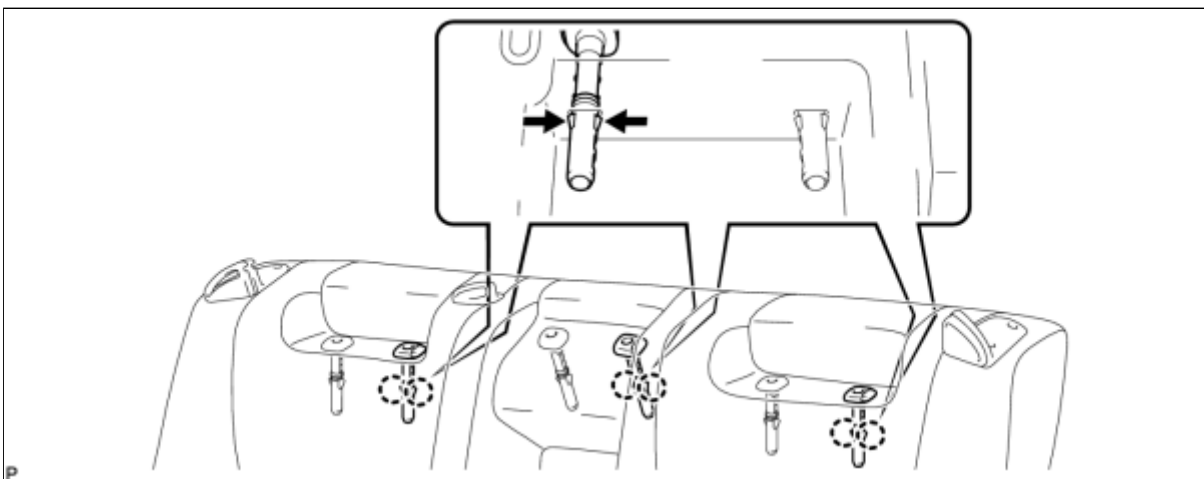


(a) Remove the 2 nuts.

(b) Disengage the 2 claws and remove the rear center seat armrest assembly.

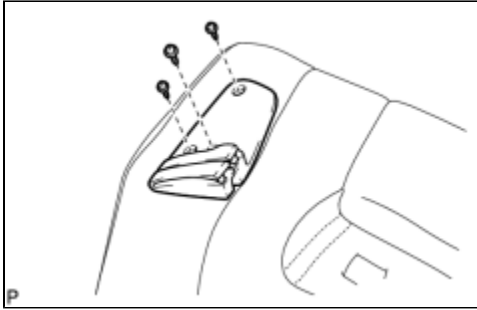
### 4. REMOVE REAR SEAT HEADREST SUPPORT

(a) Disengage the 6 claws and remove the 3 rear seat headrest supports.



**5. REMOVE REAR SEAT HEADREST SUPPORT**

**6. REMOVE REAR SEAT SHOULDER BELT GUIDE RH**



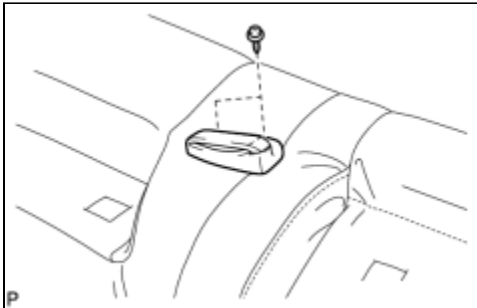
(a) Remove the 3 screws and rear seat shoulder belt guide RH.

**7. REMOVE REAR SEAT SHOULDER BELT GUIDE LH**

**HINT:**

Use the same procedure for the RH side and LH side.

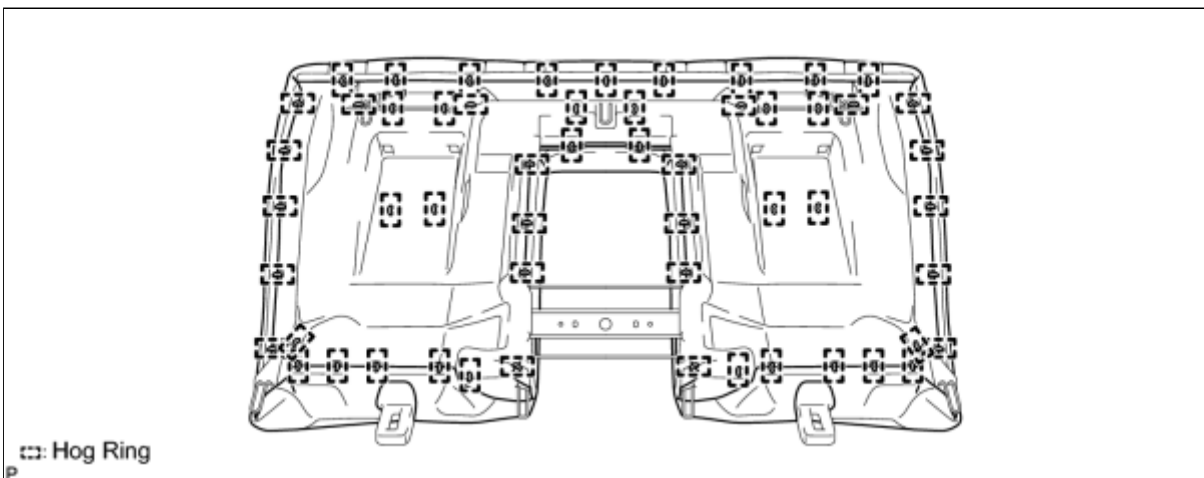
**8. REMOVE REAR SEAT CENTER SHOULDER BELT GUIDE**



(a) Remove the 2 screws and rear seat center shoulder belt guide.

**9. REMOVE REAR BENCH TYPE SEATBACK COVER**

(a) Remove the 55 hog rings.



(b) Remove the 20 hog rings and rear bench type seatback cover from the seatback frame (with pad).

