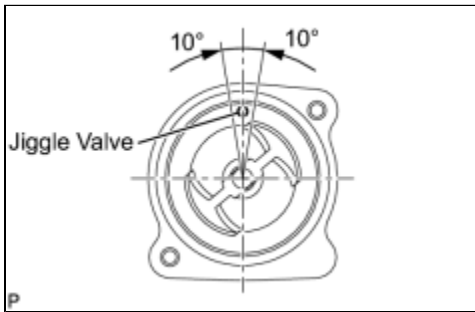


Last Modified: 7-13-2007		1.6 A
Service Category: Engine/Hybrid System	Section: Cooling	
Model Year: 2008	Model: ES350	Doc ID: RM0000011PH00LX
Title: 2GR-FE COOLING: THERMOSTAT: INSTALLATION (2008 ES350)		

## INSTALLATION

### 1. INSTALL THERMOSTAT



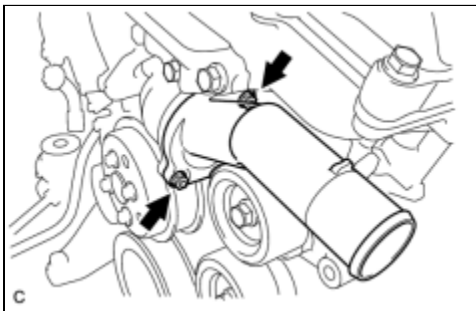
(a) Install a new gasket to the thermostat.

(b) Install the thermostat with the jiggle valve facing up.

#### HINT:

The jiggle valve may be set within 10° on either side of the prescribed position.

### 2. INSTALL WATER INLET



(a) Install the water inlet with the 2 nuts .

**Torque: 10 N·m (102 kgf·cm, 7 ft·lbf)**

3. CONNECT RADIATOR HOSE OUTLET [INFO](#)

4. INSTALL NO. 2 IDLER PULLEY SUB-ASSEMBLY [INFO](#)

5. INSTALL V-RIBBED BELT [INFO](#)

6. INSTALL ENGINE MOVING CONTROL ROD SUB-ASSEMBLY [INFO](#)

7. INSTALL NO. 2 ENGINE MOUNTING STAY RH [INFO](#)

8. INSTALL FRONT FENDER APRON SEAL RH

9. ADD ENGINE COOLANT 

10. INSPECT FOR COOLANT 

11. INSTALL V-BANK COVER SUB-ASSEMBLY 

12. INSTALL ENGINE ROOM SIDE COVER RH

13. INSTALL COOL AIR INTAKE DUCT SEAL

