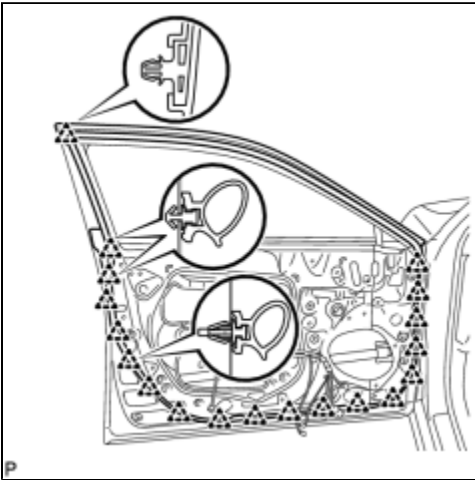


Last Modified: 7-13-2007		1.6 A
Service Category: Vehicle Exterior	Section: Door/Hatch	
Model Year: 2008	Model: ES350	Doc ID: RM0000011QG012X
Title: ENGINE HOOD / DOOR: FRONT DOOR: REASSEMBLY (2008 ES350)		

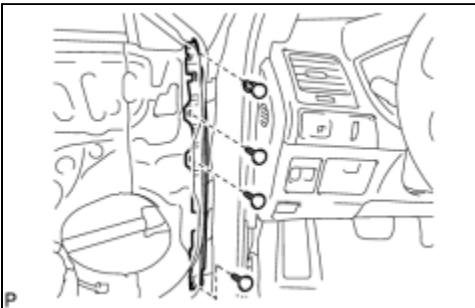
REASSEMBLY

1. INSTALL FRONT DOOR LOWER OUTSIDE MOULDING [INFO](#)
2. INSTALL FRONT DOOR OUTSIDE MOULDING SUB-ASSEMBLY [INFO](#)
3. INSTALL FRONT DOOR FRONT LOWER FRAME UPPER COVER [INFO](#)
4. INSTALL FRONT DOOR REAR WINDOW FRAME MOULDING [INFO](#)
5. INSTALL FRONT DOOR BELT MOULDING ASSEMBLY [INFO](#)
6. INSTALL FRONT DOOR WEATHERSTRIP



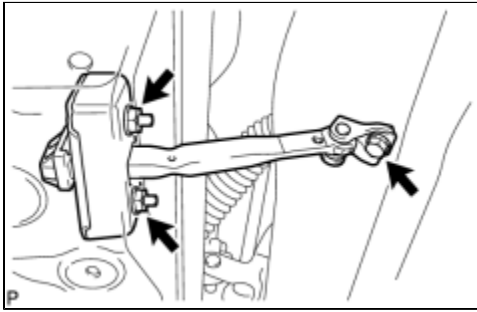
(a) Engage the 19 clips and install the front door weatherstrip.

7. INSTALL FRONT NO. 3 DOOR WEATHERSTRIP



(a) Install the front No. 3 door weatherstrip with the 4 clips.

8. INSTALL FRONT DOOR CHECK ASSEMBLY

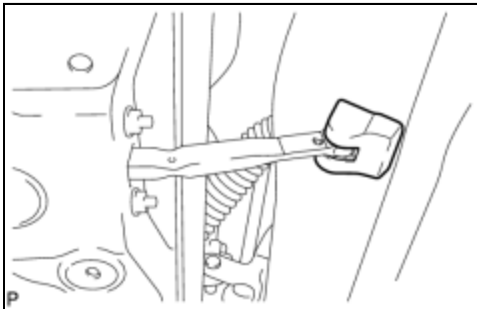


(a) Install the front door check assembly with the bolt and the 2 nuts.

Torque: 27 N·m (275 kgf·cm, 20 ft·lbf)

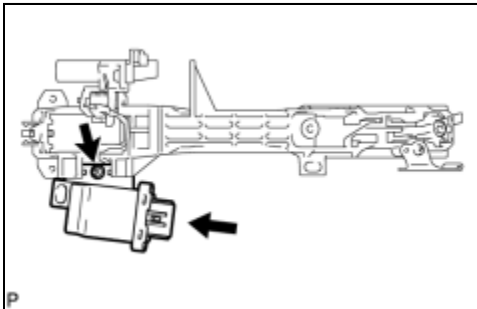
Torque: 8.0 N·m (82 kgf·cm, 71 in·lbf)

9. INSTALL FRONT DOOR CHECK COVER



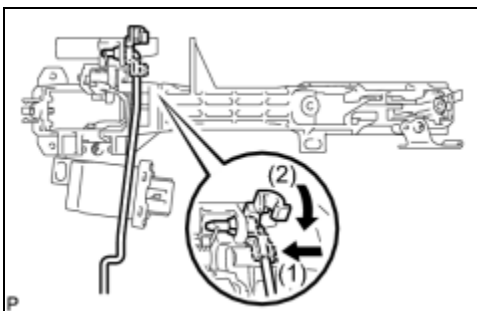
(a) Install the front door check cover.

10. INSTALL DOOR ELECTRICAL KEY OSCILLATOR



(a) Install the door electrical key oscillator with the screw.

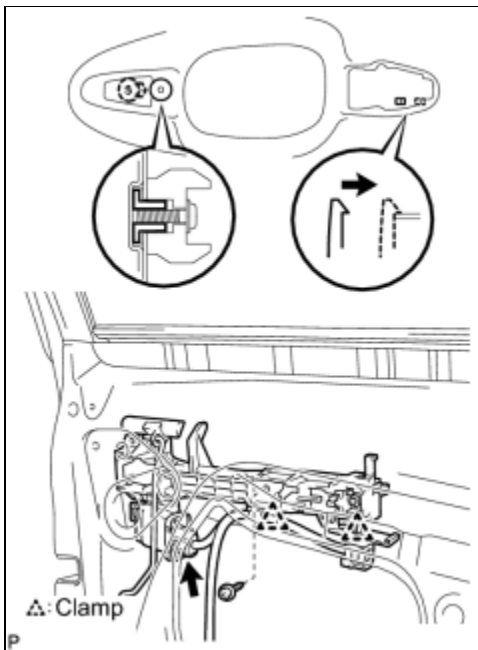
11. INSTALL FRONT DOOR LOCK OPEN ROD



(a) Install the front door lock open rod as shown in the illustration.

12. INSTALL FRONT DOOR OUTSIDE HANDLE FRAME SUB-ASSEMBLY

(a) Apply MP grease to the sliding parts of the front door outside handle frame sub-assembly.



(b) Engage the claw to install the front door outside handle frame sub-assembly.

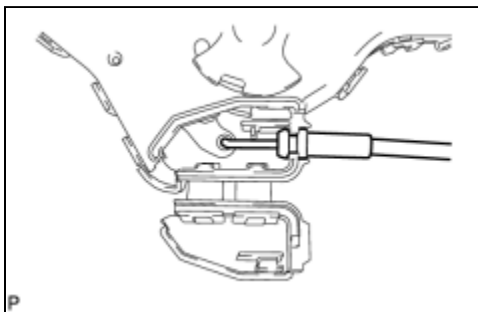
(c) Using a "TORX" socket wrench (T30), install the front door outside handle frame sub-assembly with the screw.

Torque: 4.0 N·m (41 kgf·cm, 35 in·lbf)

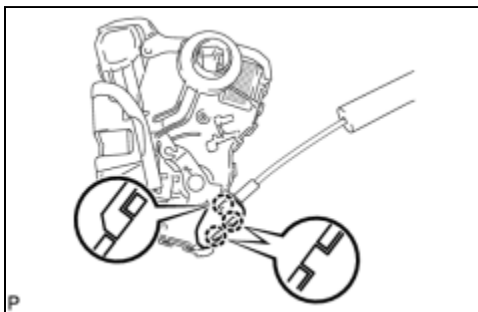
(d) Engage the 2 clamps.

(e) Connect the connector.

13. INSTALL FRONT DOOR INSIDE LOCKING CABLE ASSEMBLY

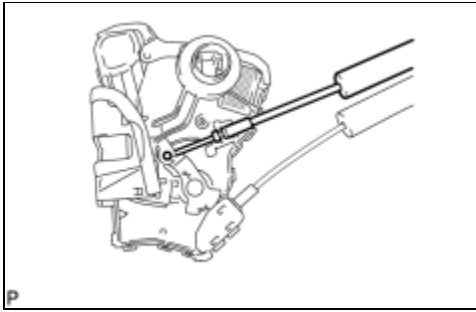


(a) Install the front door inside locking cable assembly.



(b) Engage the 3 claws.

14. INSTALL FRONT DOOR LOCK REMOTE CONTROL CABLE ASSEMBLY



(a) Install the front door lock remote control cable assembly.

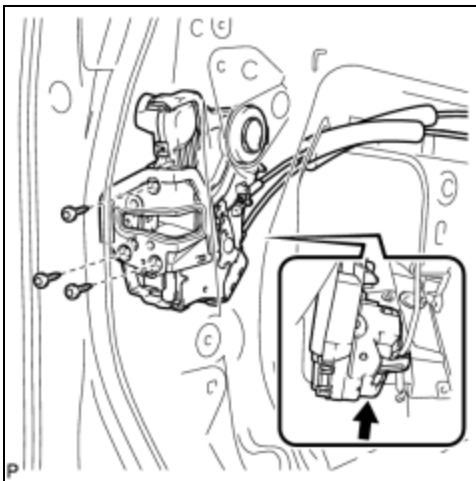
15. INSTALL FRONT DOOR LOCK ASSEMBLY

NOTICE:

- When reusing the removed front door lock assembly, replace the door lock wiring harness seal on the connector with a new one.
- Do not allow grease or dust to adhere to the door lock wiring harness seal surface of the connector.
- Reusing the door lock wiring harness seal or using a damaged door lock wiring harness seal may cause water intrusion to the connection. This may result in a malfunction of the front door lock assembly.

(a) Apply MP grease to the sliding parts of the front door lock assembly.

(b) Install a new door lock wiring harness seal to the front door lock assembly.



(c) Insert the front door lock open rod to the front door lock assembly, and set it to the front door outside handle frame.

(d) Make sure that the front door lock open rod is securely connected to the front door lock assembly.

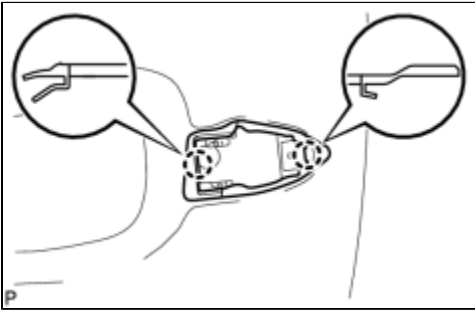
(e) Using a "TORX" socket wrench (T30), install the front door lock assembly with the 3 screws.

Torque: 5.5 N·m (56 kgf·cm, 49 in·lbf)

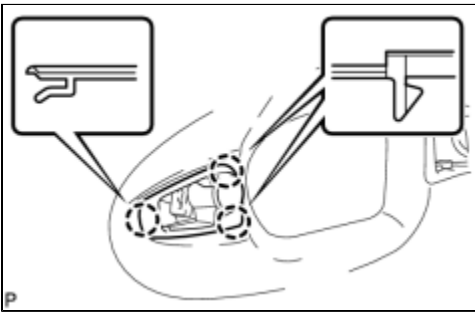
(f) Connect the connector.

16. INSTALL FRONT DOOR REAR OUTSIDE HANDLE PAD

(a) Engage the 2 claws to install the front door rear outside handle pad.

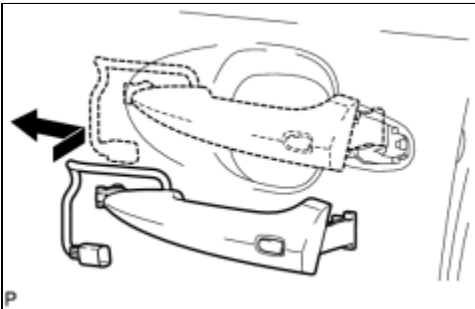


17. INSTALL FRONT DOOR FRONT OUTSIDE HANDLE PAD



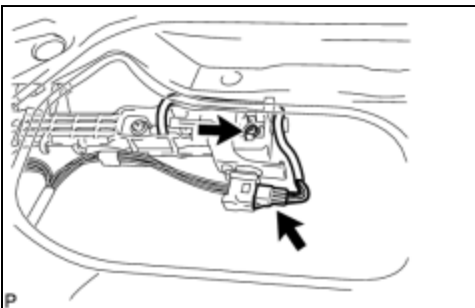
(a) Engage the 3 claws to install the front door front outside handle pad.

18. INSTALL FRONT DOOR OUTSIDE HANDLE ASSEMBLY



(a) Insert the front end of the front door outside handle assembly into the front door outside handle frame.

(b) Insert the rear end of the front door outside handle assembly into the front door outside handle frame. Next, slide the front door outside handle assembly toward the front of the vehicle to install it.

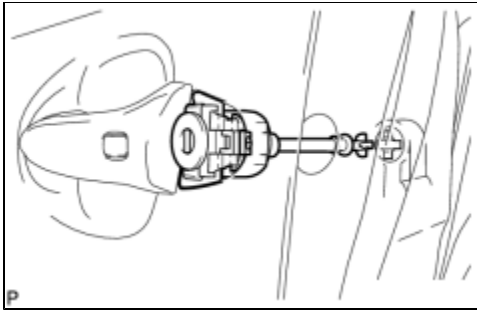


(c) Using a "TORX" socket wrench (T30), install the front door outside handle assembly with the screw.

Torque: 4.0 N·m (41 kgf·cm, 35 in·lbf)

(d) Connect the connector.

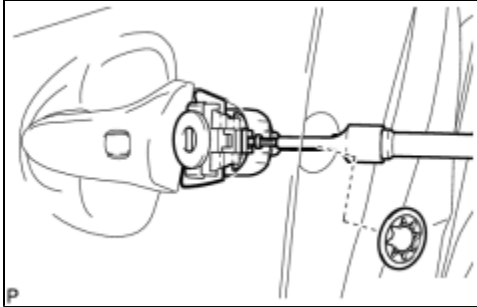
19. INSTALL FRONT DOOR OUTSIDE HANDLE COVER (for Driver Side)



(a) Install the front door lock cylinder.

HINT:

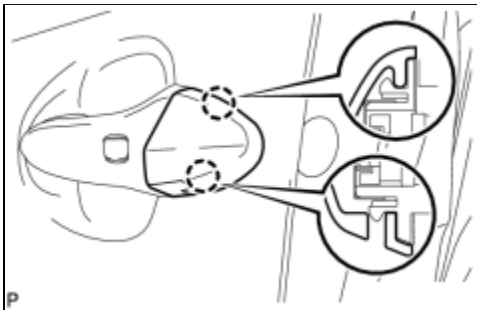
Make sure that the front door lock cylinder rod is inserted into the front door lock assembly.



(b) Using a "TORX" socket wrench (T30), install the front door lock cylinder with the screw.

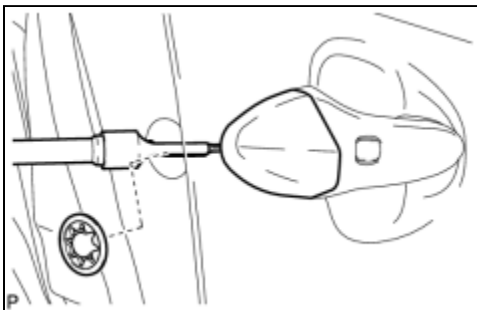
Torque: 4.0 N·m (41 kgf·cm, 35 in·lbf)

(c) Install the hole plug.



(d) Engage the 2 claws to install the front door outside handle cover to the front door lock cylinder.

20. INSTALL FRONT DOOR OUTSIDE HANDLE COVER (for Front Passenger Side)

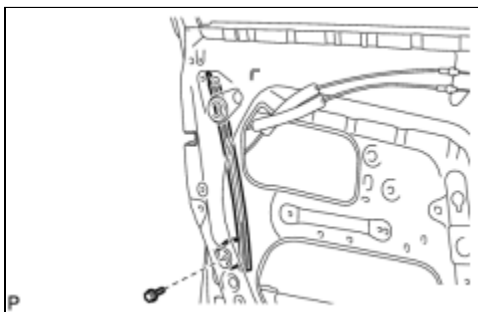


(a) Using a "TORX" socket wrench (T30), install the front door outside handle cover with the screw.

Torque: 4.0 N·m (41 kgf·cm, 35 in·lbf)

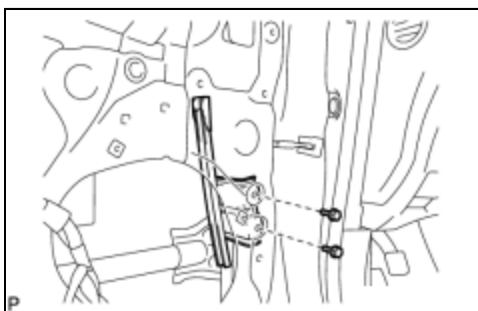
(b) Install the hole plug.

21. INSTALL FRONT DOOR REAR LOWER FRAME SUB-ASSEMBLY



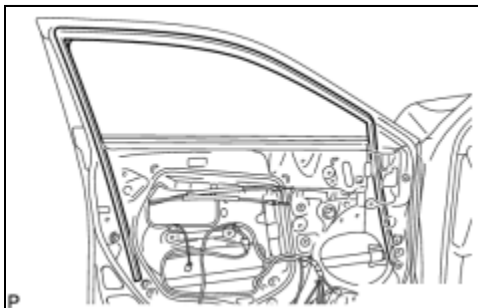
(a) Install the front door rear lower frame sub-assembly with the bolt.

22. INSTALL FRONT DOOR FRONT LOWER FRAME SUB-ASSEMBLY



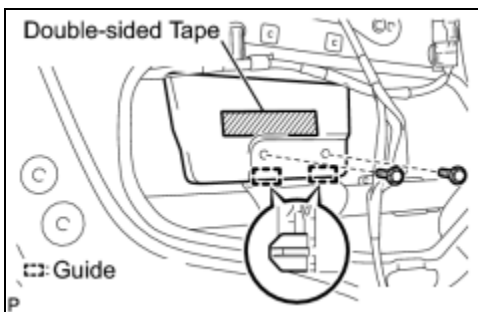
(a) Install the front door front lower frame sub-assembly with the 2 bolts.

23. INSTALL FRONT DOOR GLASS RUN



(a) Install the front door glass run.

24. INSTALL FRONT NO. 1 DOOR STIFFENER CUSHION

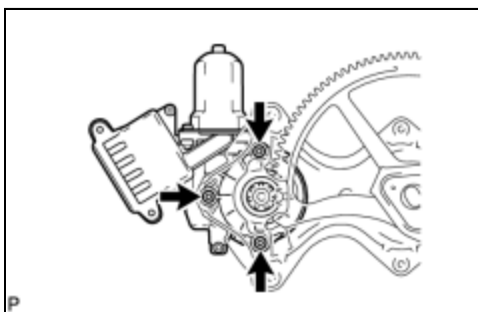


(a) Install a new front No. 1 door stiffener cushion with the 2 bolts and double-sided tape.

25. INSTALL FRONT POWER WINDOW REGULATOR MOTOR ASSEMBLY

NOTICE:

The regulator arm must be below the intermediate position when installing the power window regulator motor.



- (a) Using a "TORX" driver (T25), install the front power window regulator motor sub-assembly with the 3 screws.

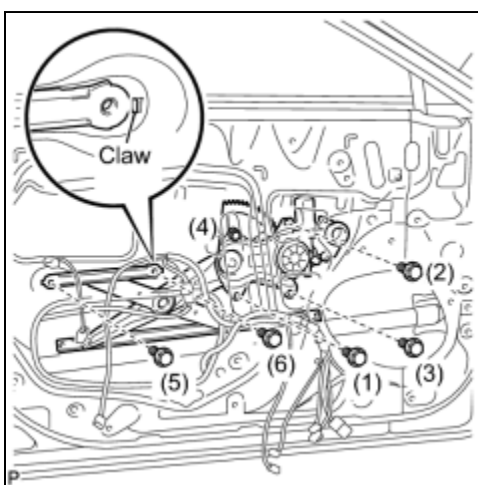
Torque: 5.4 N·m (55 kgf·cm, 48 in·lbf)

HINT:

A new front window regulator adopts a self-tapping method. The installation position of the regulator will be threaded when the self-tapping screw is inserted.

26. INSTALL FRONT DOOR WINDOW REGULATOR SUB-ASSEMBLY

- (a) Apply MP grease to the sliding parts of the front door window regulator sub-assembly.



- (b) Install the temporary bolt to the front door window regulator sub-assembly.

NOTICE:

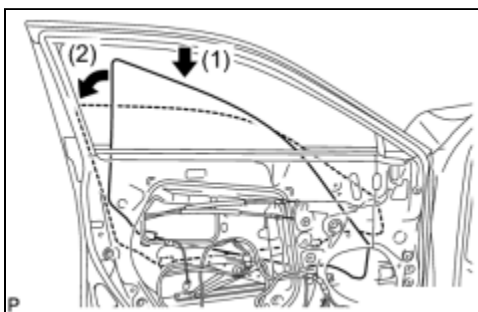
Align the claw on the regulator bracket with the panel hole on the front side.

- (c) Temporarily install the window regulator.

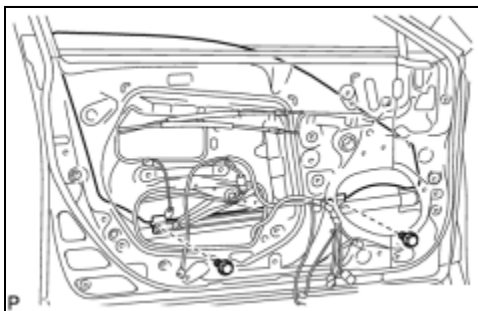
- (d) Tighten the 6 bolts in the order shown in the illustration to install the front window regulator.

Torque: 11 N·m (112 kgf·cm, 8.1 ft·lbf)

27. INSTALL FRONT DOOR GLASS SUB-ASSEMBLY



- (a) Insert the front door glass sub-assembly into the front door panel along the front door glass run as indicated in the order of the arrows in the illustration.



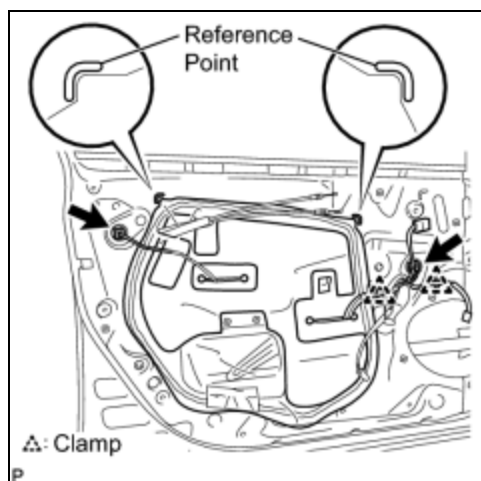
(b) Install the front door glass sub-assembly with the 2 bolts.

Torque: 5.5 N·m (56 kgf·cm, 49 in·lbf)

28. INSTALL FRONT DOOR SERVICE HOLE COVER

(a) Apply butyl tape to the front door panel.

(b) Pass the front door lock remote control cable and rear door inside locking cable through a new front door service hole cover.



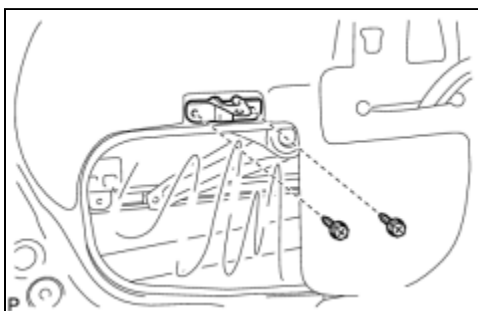
(c) Install the new service hole cover.

NOTICE:

Securely install the front door service hole cover avoiding wrinkles and air bubbles.

(d) Connect each connector and each clamp.

29. INSTALL FRONT NO. 1 DOOR TRIM BRACKET



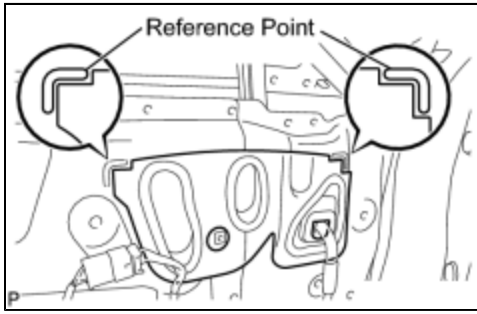
(a) Install the front No. 1 door trim bracket with the 2 screws.

30. INSTALL FRONT NO. 1 SPEAKER ASSEMBLY INFO

31. INSTALL OUTER REAR VIEW MIRROR ASSEMBLY INFO

32. INSTALL OUTER MIRROR PROTECTOR

(a) Apply butyl tape to the front door panel.

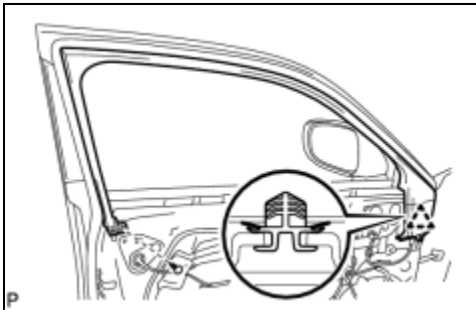


(b) Install a new outer mirror protector.

NOTICE:

Securely install the outer mirror protector avoiding wrinkles and air bubbles.

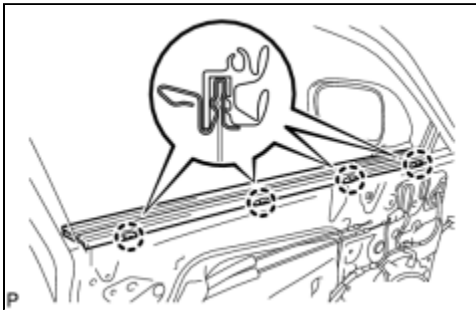
33. INSTALL DOOR FRAME GARNISH



(a) Engage the clip and install the door frame garnish.

(b) Install the clip.

34. INSTALL FRONT DOOR INNER GLASS WEATHERSTRIP



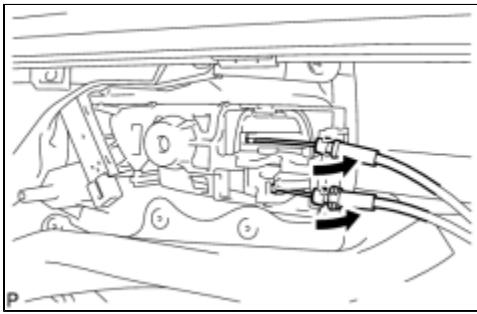
(a) Engage the 4 claws and install the front door inner glass weatherstrip.

35. INSTALL SEAT MEMORY SWITCH (w/ Seat Position Memory System)



36. INSTALL FRONT DOOR TRIM BOARD SUB-ASSEMBLY

(a) Connect the front door lock remote control cable and front door inside locking cable to the front inside handle.



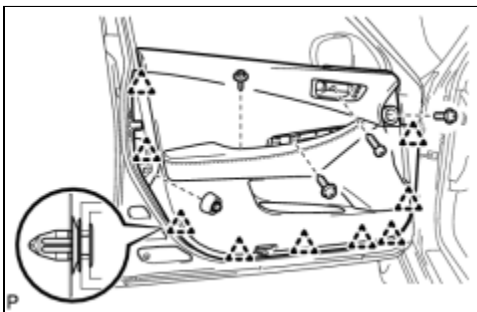
(b) Engage the front door trim board with the 4 clips of the front door inner glass weatherstrip.



(c) Engage the 9 clips and install the front door trim board to the front door panel.

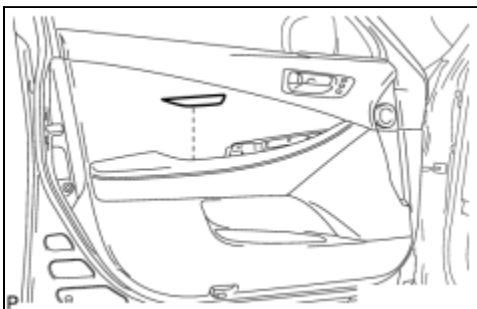
NOTICE:

Only when installing the front door trim RH, be careful not to allow the wire harness for the courtesy light to get caught between the trim board and the door panel.



(d) Install the 5 screws.

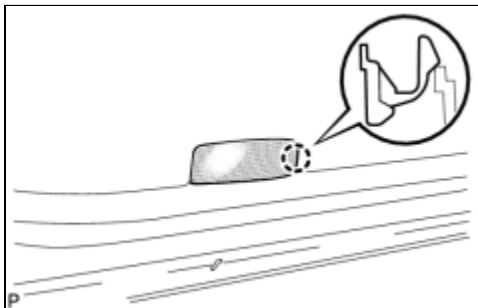
37. INSTALL DOOR ARMREST COVER



(a) Install the door armrest cover.

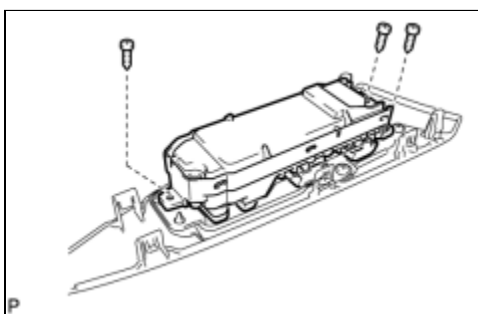
38. INSTALL COURTESY LIGHT ASSEMBLY

(a) Connect the connector.



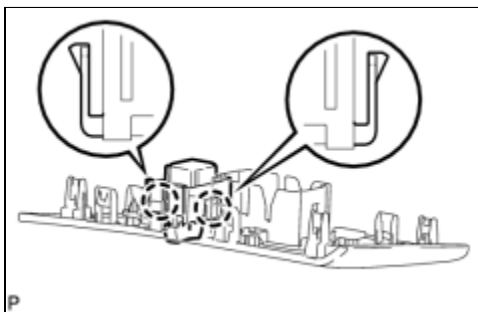
(b) Engage the claw and install the courtesy light assembly.

39. INSTALL POWER WINDOW REGULATOR MASTER SWITCH ASSEMBLY (for Driver Side)



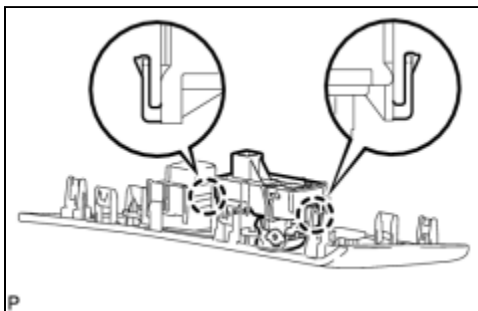
(a) Install the power window regulator master switch assembly with the 3 screws.

40. INSTALL DOOR CONTROL SWITCH ASSEMBLY (for Front Passenger Side)



(a) Engage the 2 claws and install the door control switch assembly.

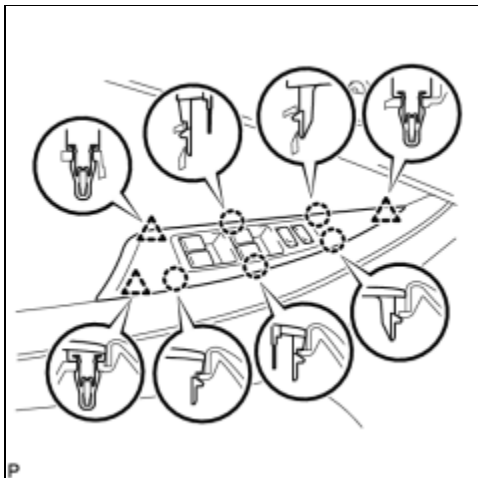
41. INSTALL POWER WINDOW REGULATOR SWITCH ASSEMBLY (for Front Passenger Side)



(a) Engage the 2 claws and install the power window regulator switch assembly.

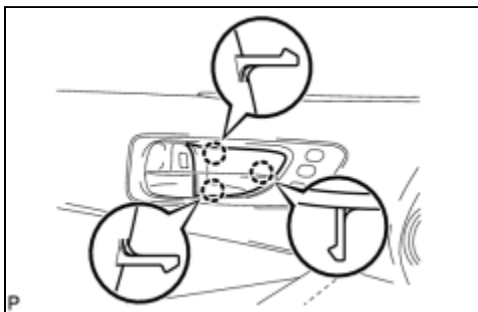
42. INSTALL FRONT DOOR ARMREST BASE PANEL ASSEMBLY

(a) Connect the connector.



(b) Engage the 5 claws and 3 clips, and install the front door armrest base panel assembly.

43. INSTALL FRONT DOOR INSIDE HANDLE BEZEL PLUG



(a) Engage the 3 claws and install the front door inside handle bezel plug.

44. INITIALIZE POWER WINDOW CONTROL SYSTEM

