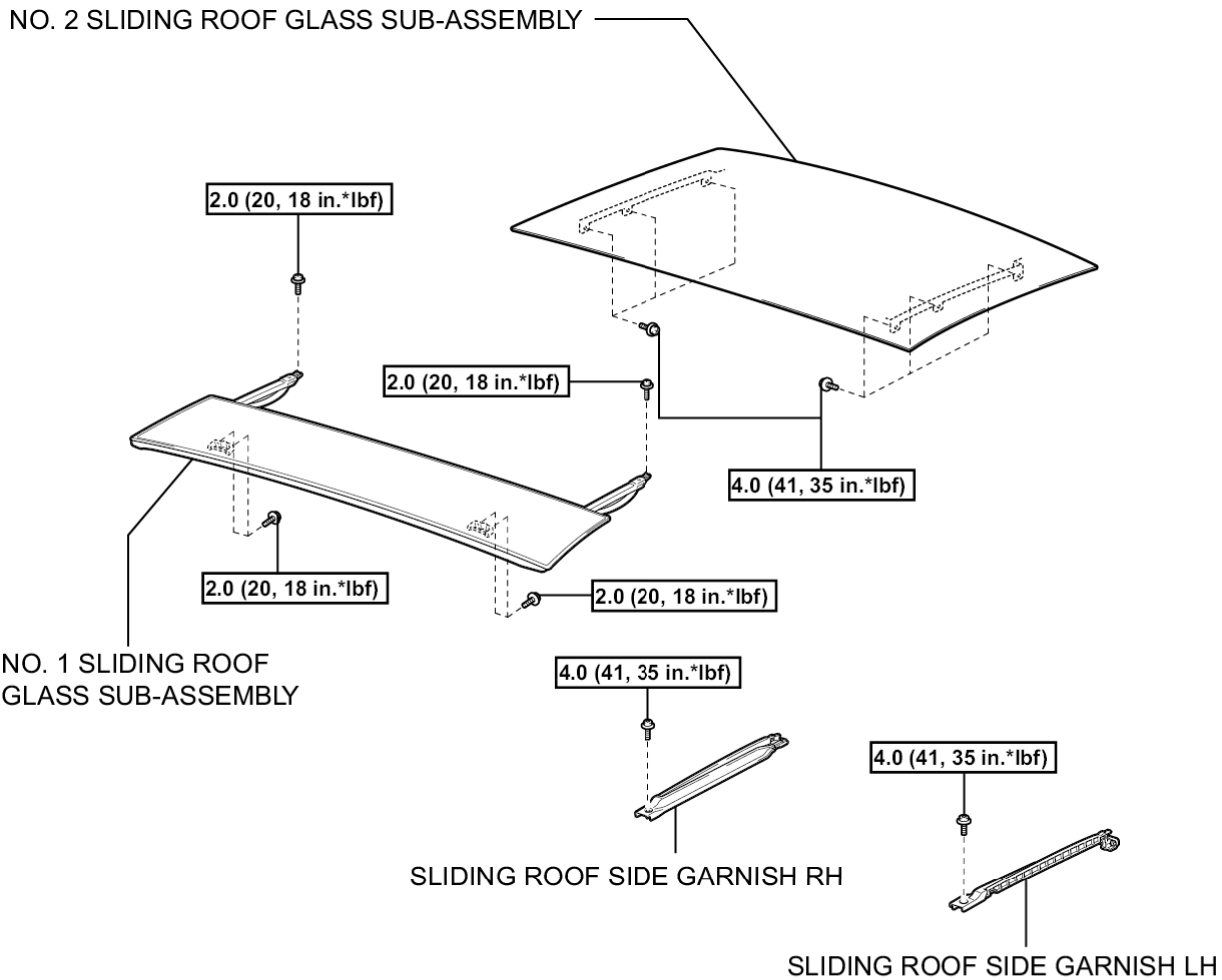


Last Modified: 7-13-2007		1.6 K
Service Category: Vehicle Exterior		Section: Sliding Roof/Convertible
Model Year: 2008	Model: ES350	Doc ID: RM000001NYZ00LX
Title: SLIDING ROOF: SLIDING ROOF HOUSING (for Glass Roof): COMPONENTS (2008 ES350)		

COMPONENTS

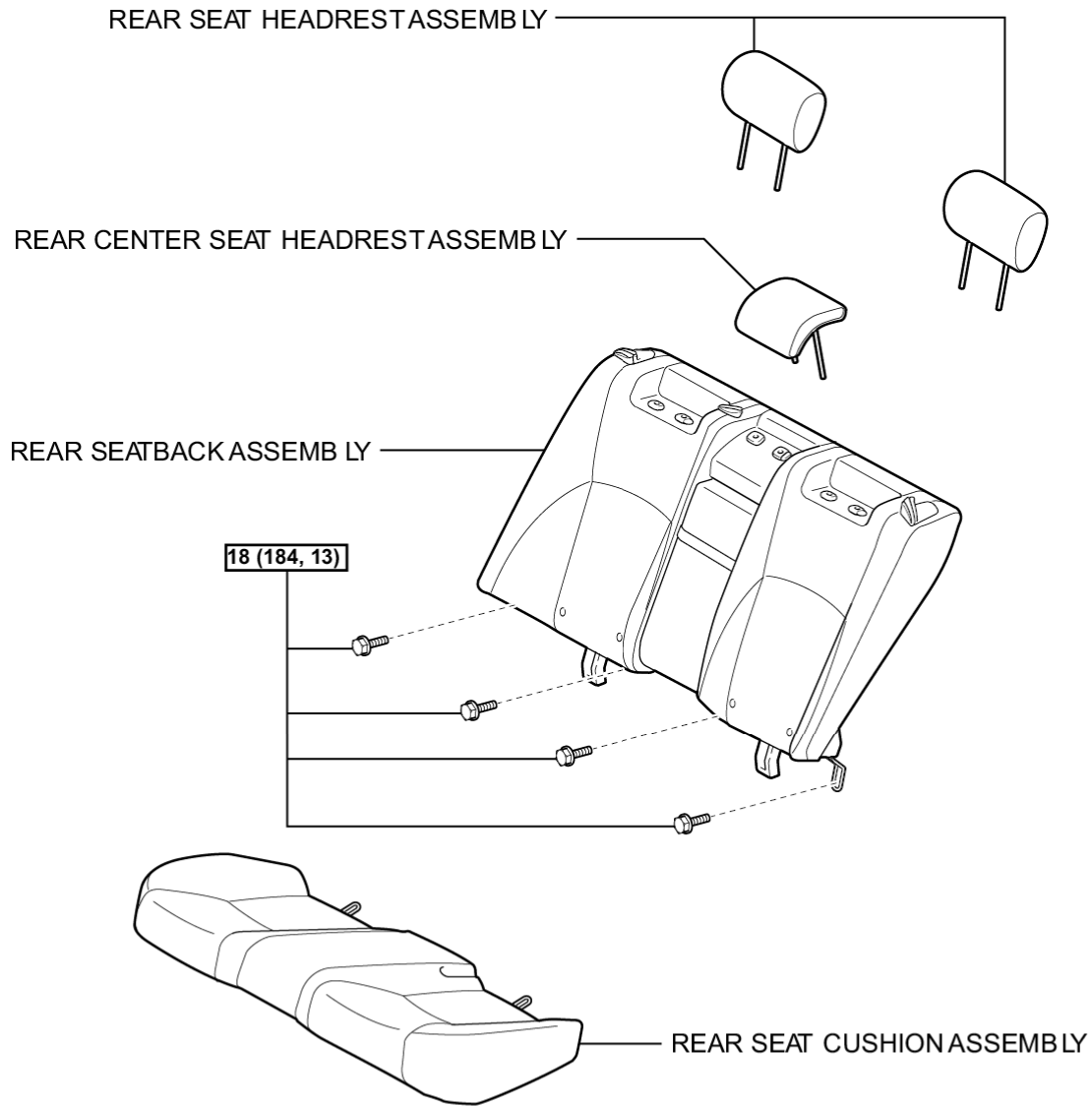
ILLUSTRATION



N*m (kgf*cm, ft.*lbf): Specified torque

P

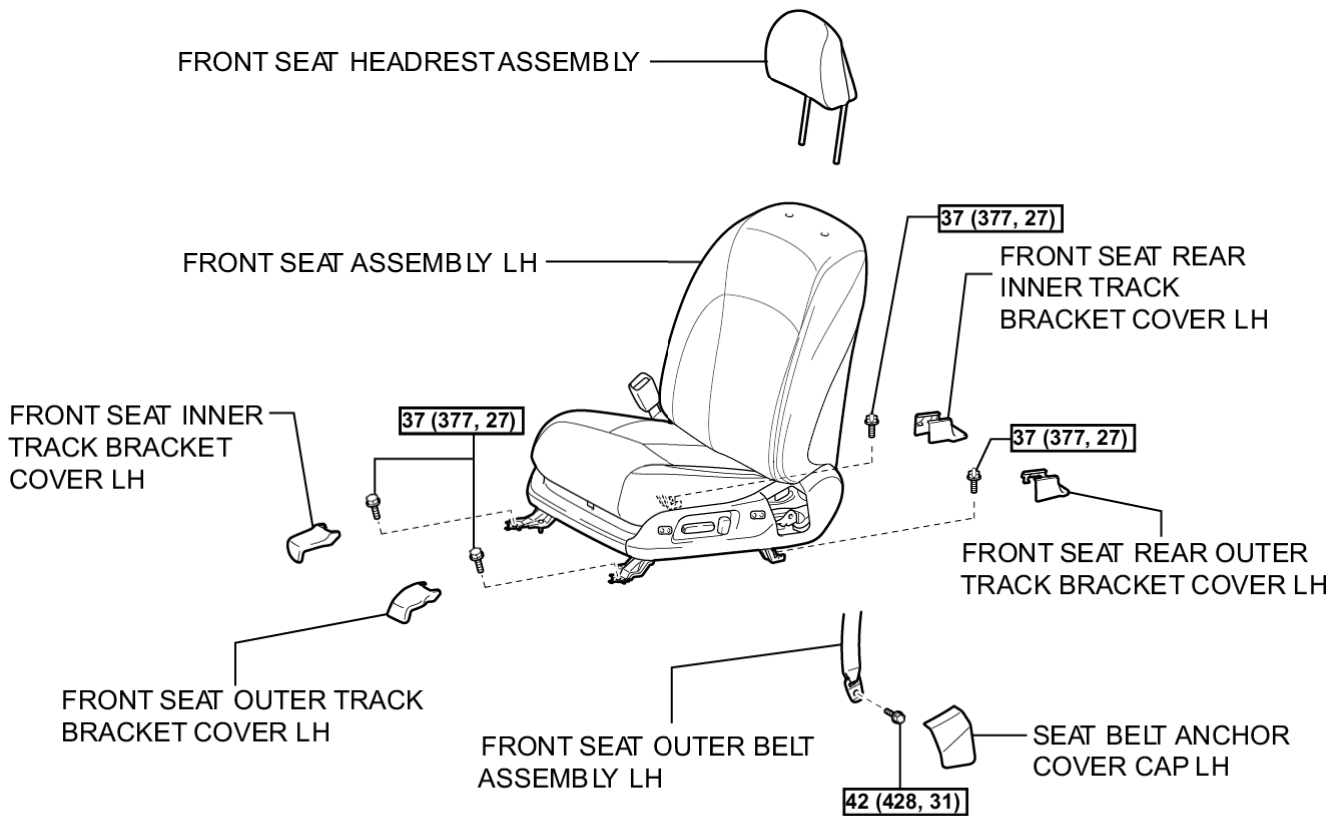
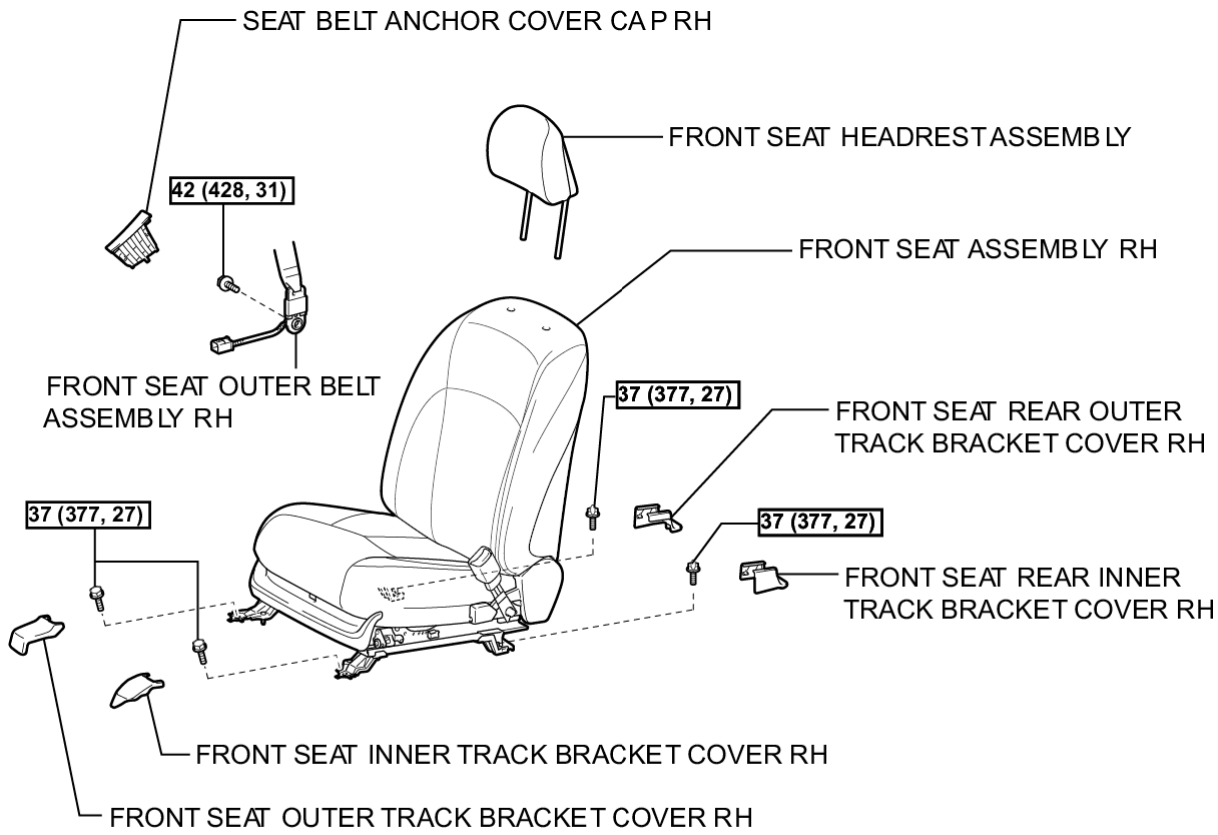
ILLUSTRATION



18 (184, 13): Specified torque

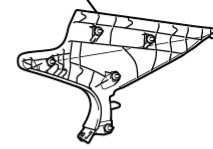
P

ILLUSTRATION



N*m (kgf*cm, ft.*lbf) : Specified torque

ROOF SIDE INNER GARNISH ASSEMBLY LH



UPPER CENTER PILLAR GARNISH LH



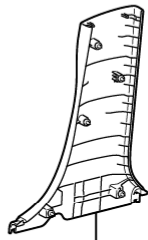
FRONT PILLAR GARNISH LH



● FRONT PILLAR GARNISH CLIP



FRONT DOOR OPENING TRIM COVER LH



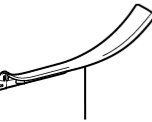
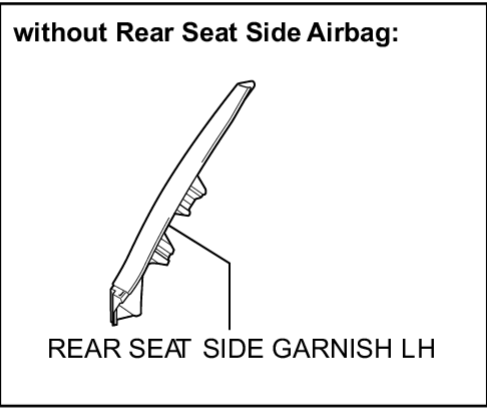
LOWER CENTER PILLAR GARNISH LH



REAR DOOR SCUFF PLATE LH



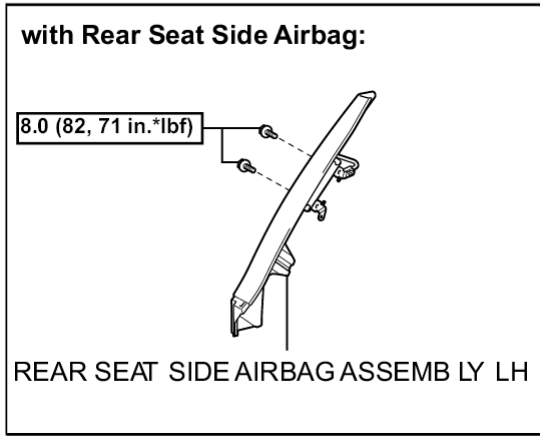
FRONT DOOR SCUFF PLATE LH



REAR DOOR SCUFF PLATE LH



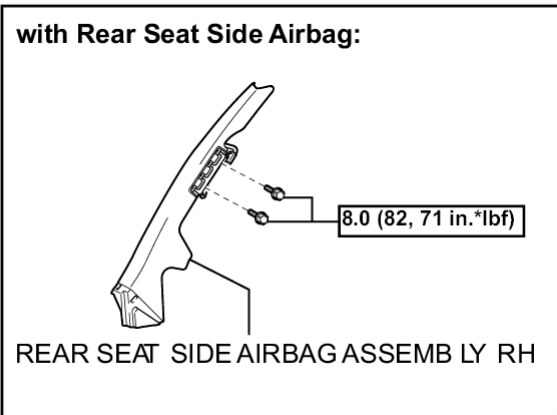
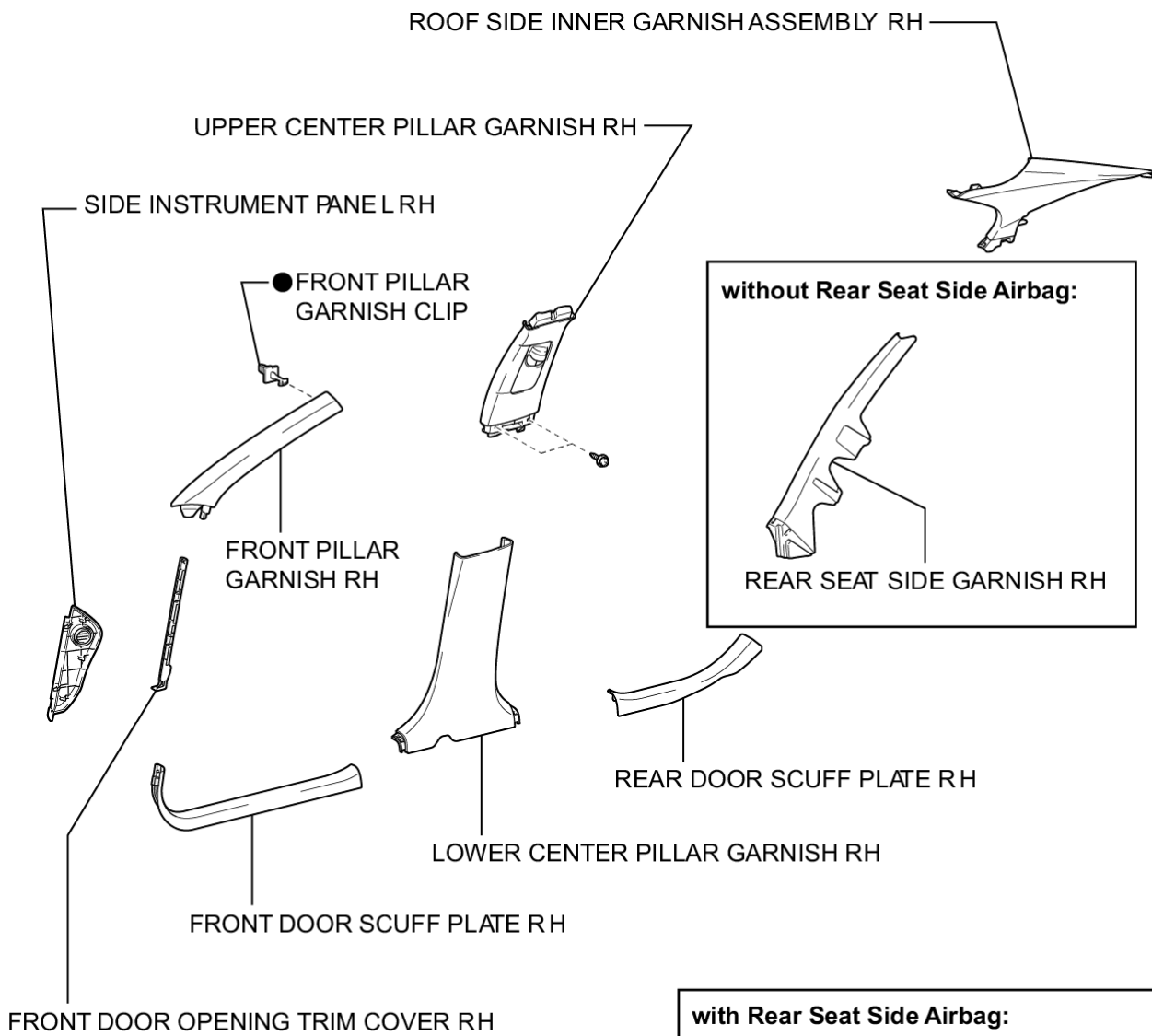
SIDE INSTRUMENT PANE L LH



N*m (kgf*cm, ft.*lbf) : Specified torque

● Non-reusable part

ILLUSTRATION



N*m (kgf*cm, ft.*lbf) : Specified torque

● Non-reusable part

P

ILLUSTRATION

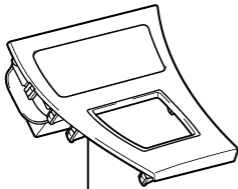


SHIFT LEVER KNOB
SUB-ASSEMBLY

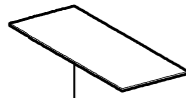


INSTRUMENT PANEL FINISH PANEL END RH

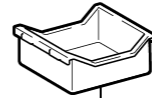
with Seat Heater System:	without Seat Heater System:
HEATER SEAT SWITCH CONSOLE BASE	HEATER SEAT SWITCH CONSOLE BASE



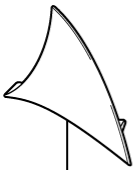
UPPER CONSOLE PANEL ASSEMBLY
WITH FRONT ASH RECEPTACLE



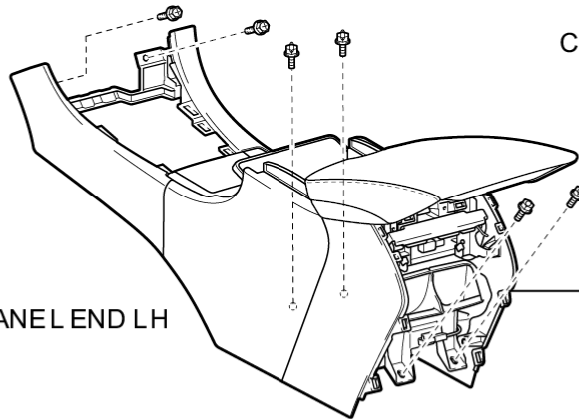
CONSOLE BOX CARPET



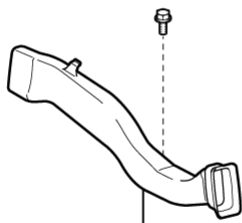
CONSOLE BOX POCKET



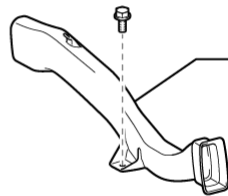
INSTRUMENT PANEL FINISH PANEL END LH



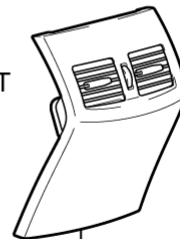
REAR CONSOLE
BOX ASSEMBLY



NO. 2 CONSOLE BOX DUCT



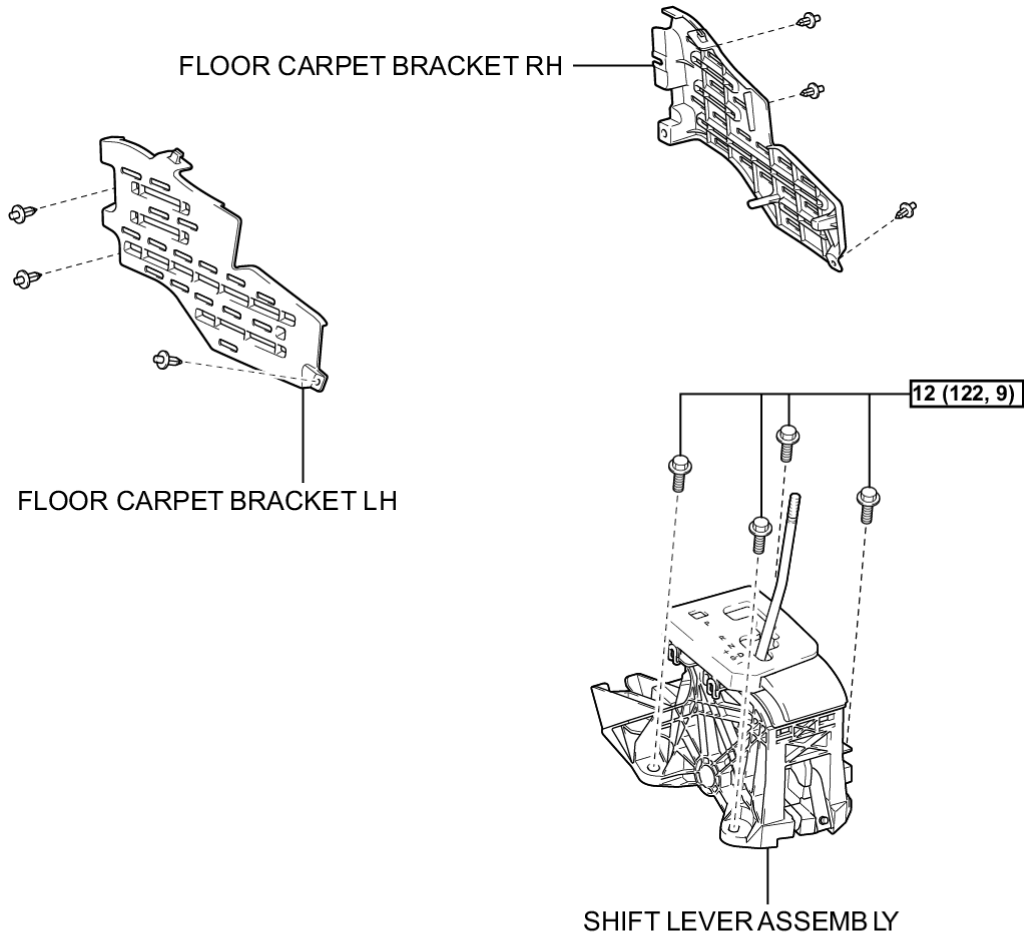
NO. 3 CONSOLE BOX DUCT



CONSOLE REAR END PANEL SUB-ASSEMBLY

P

ILLUSTRATION

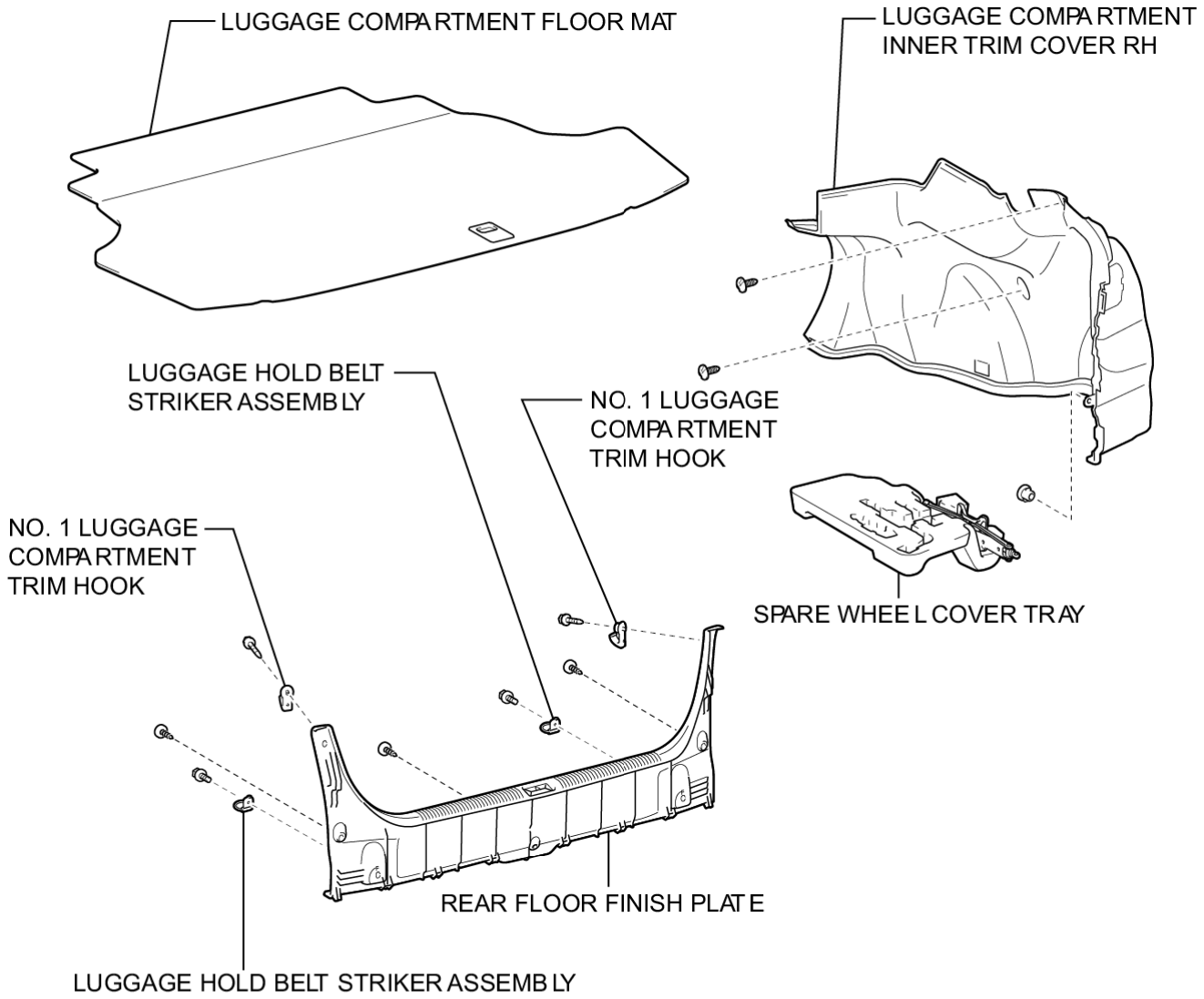


N*m (kgf*cm, ft.*lbf): Specified torque

P

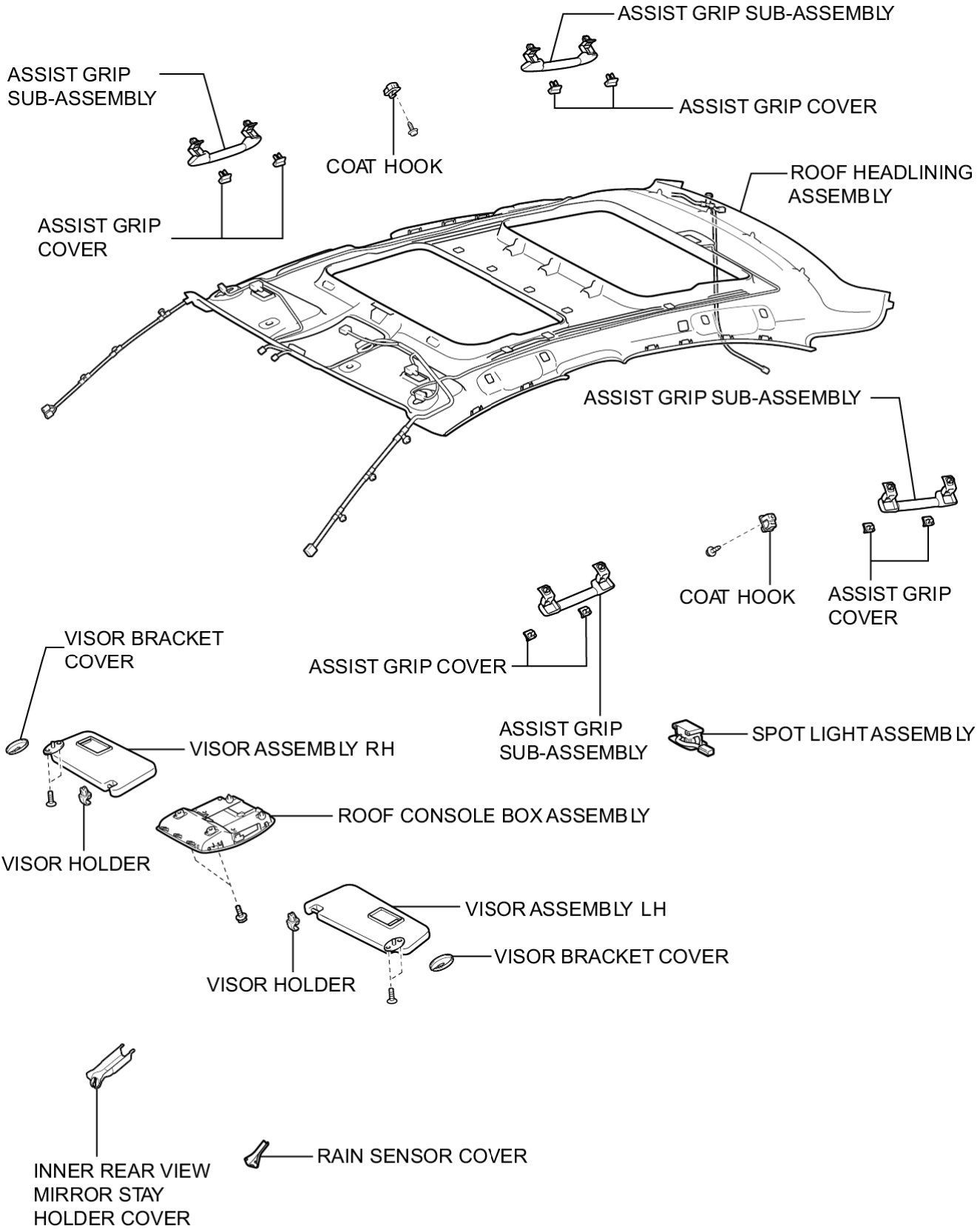
ILLUSTRATION

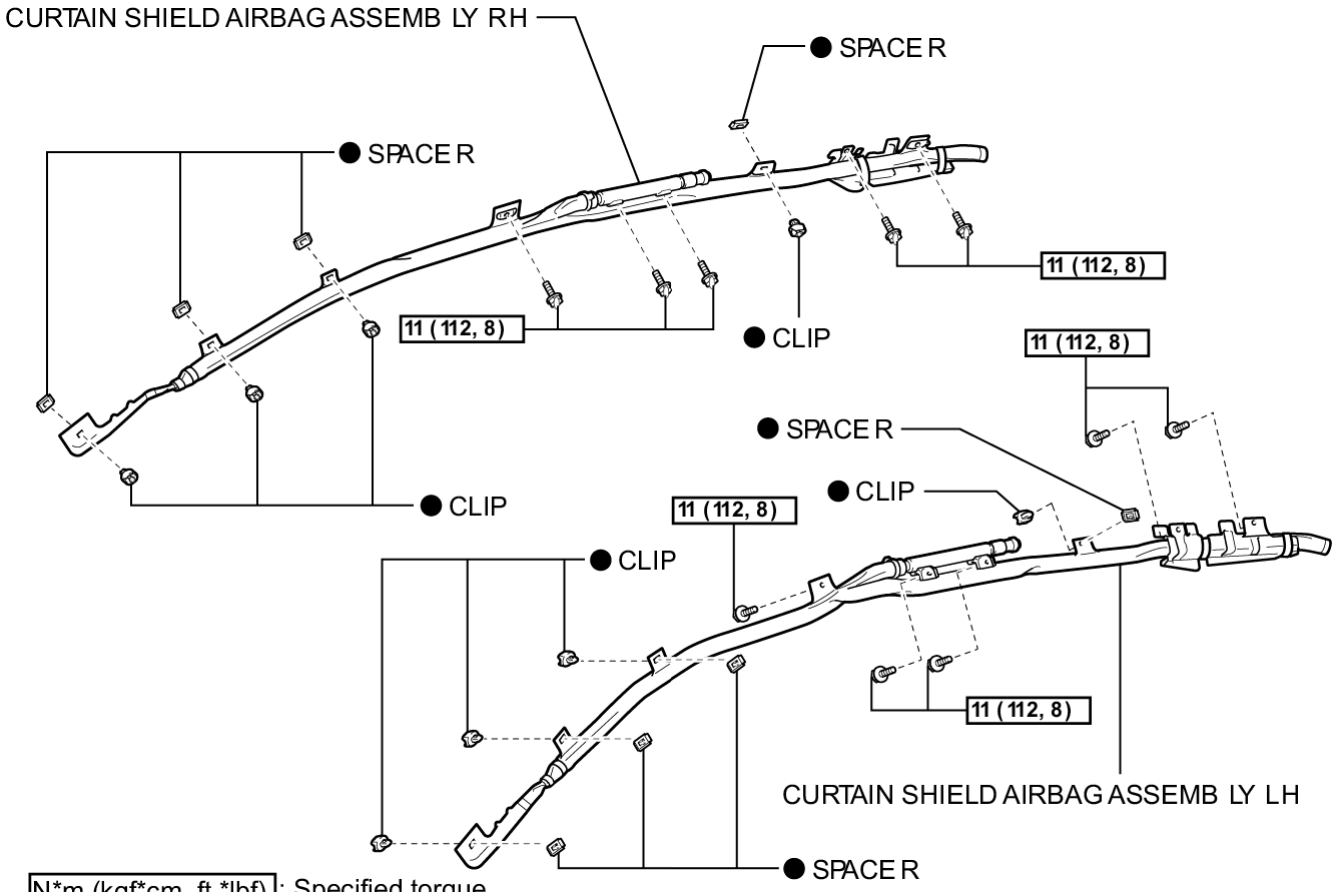
with DVD Player:



P

ILLUSTRATION



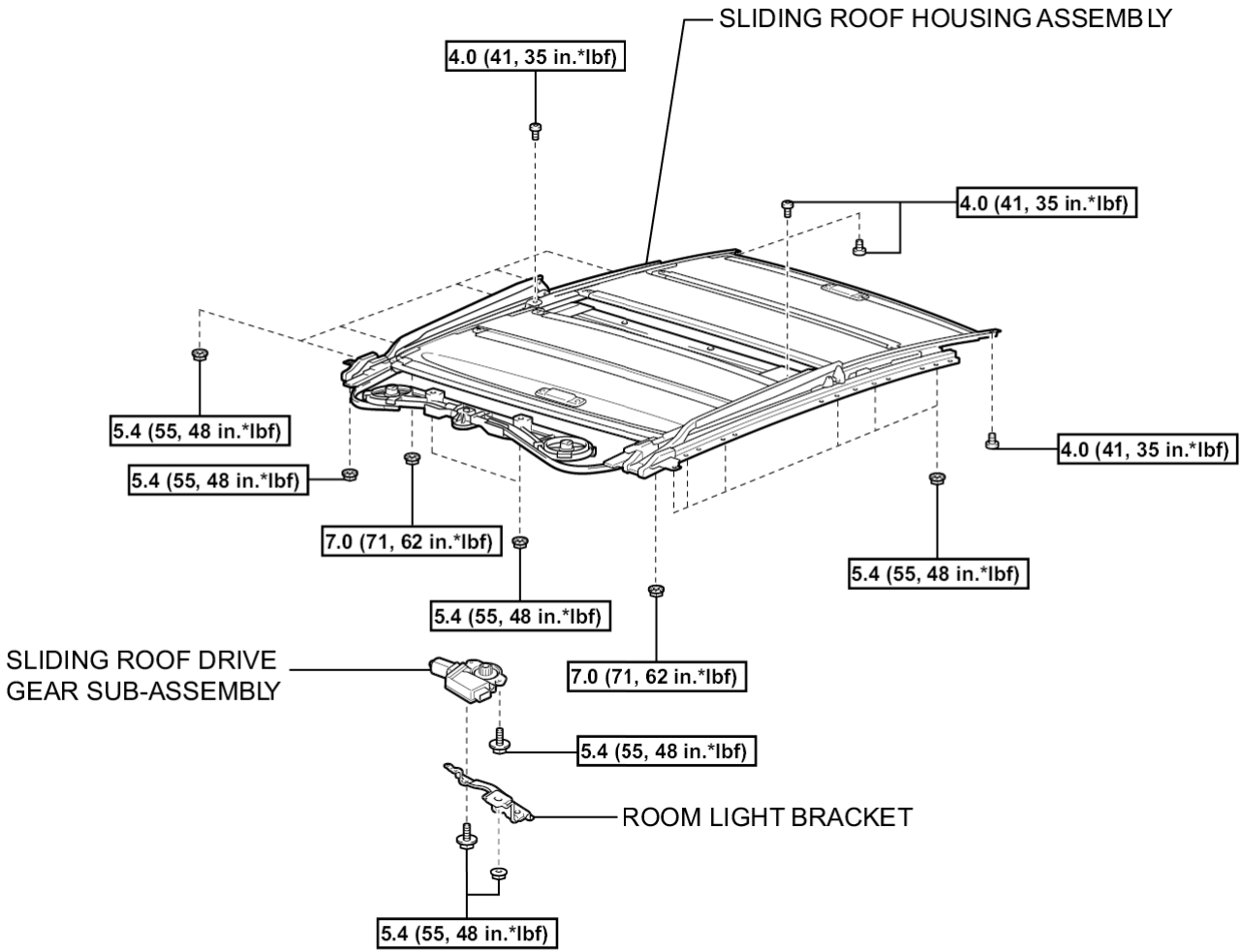


$\boxed{\text{N*m (kgf*cm, ft.*lbf)}}$: Specified torque

● Non-reusable part

P

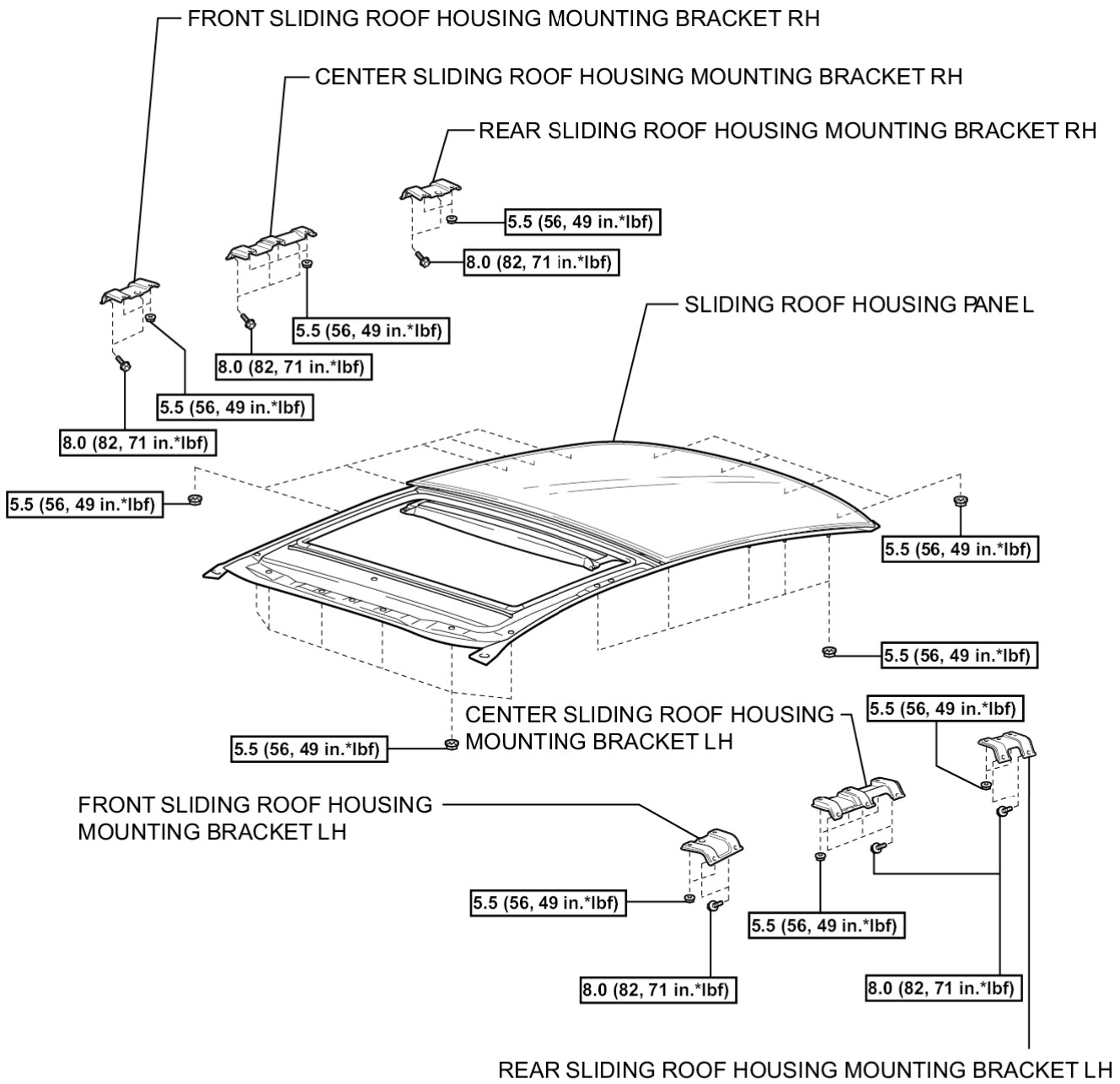
ILLUSTRATION



$\boxed{\text{N*m (kgf*cm, ft.*lbf)}}$: Specified torque

P

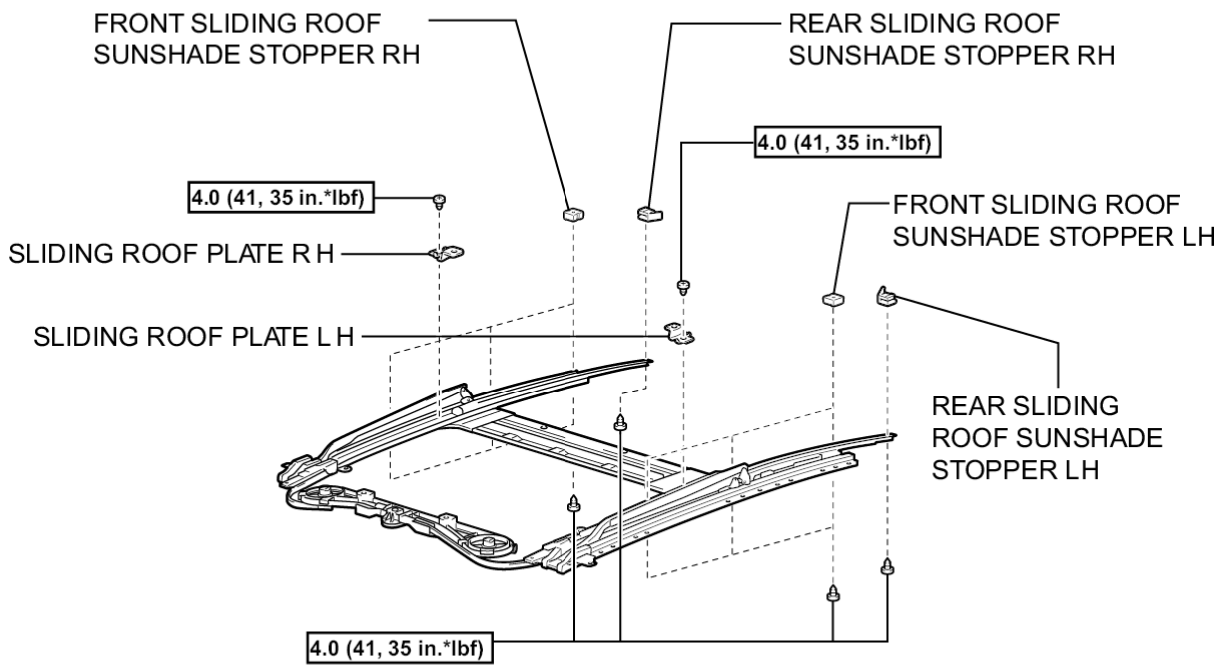
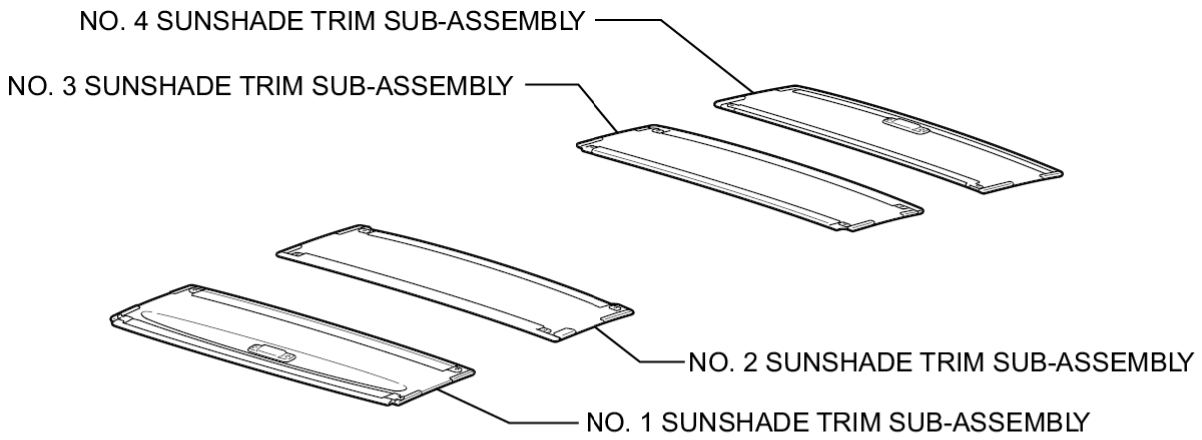
ILLUSTRATION



$\boxed{\text{N*m (kgf*cm, ft.*lbf)}}$: Specified torque

P

ILLUSTRATION

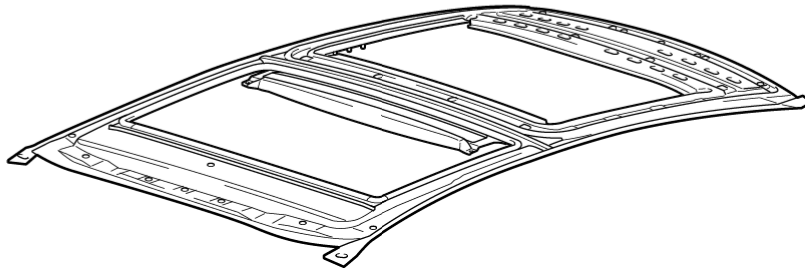
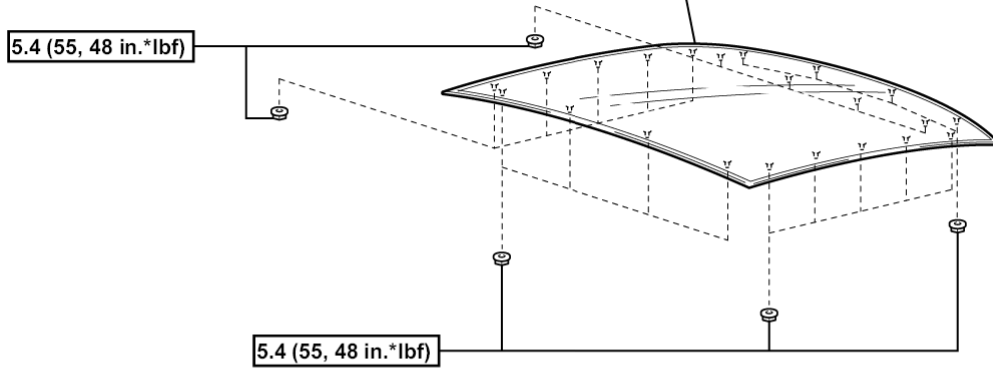


4.0 (41, 35 in.*lbf): Specified torque

P

ILLUSTRATION

NO. 3 SLIDING ROOF GLASS SUB-ASSEMBLY



N*m (kgf*cm, ft.*lbf): Specified torque

P

