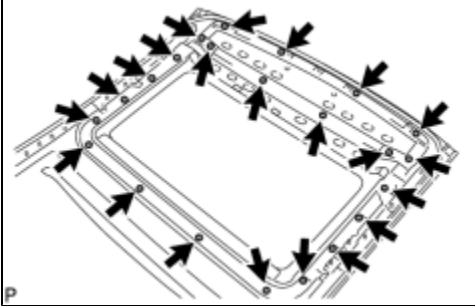


Last Modified: 7-13-2007		1.6 A
Service Category: Vehicle Exterior	Section: Sliding Roof/Convertible	
Model Year: 2008	Model: ES350	Doc ID: RM000001F2E00PX
Title: SLIDING ROOF: SLIDING ROOF HOUSING (for Glass Roof): REASSEMBLY (2008 ES350)		

REASSEMBLY

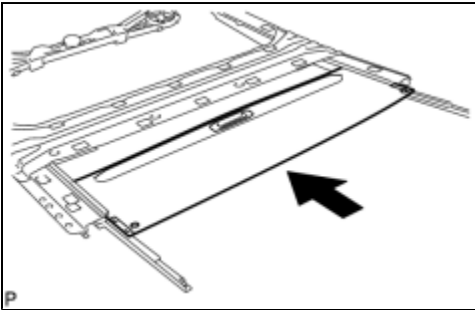
1. INSTALL NO. 3 SLIDING ROOF GLASS SUB-ASSEMBLY



(a) Install the No. 3 sliding roof glass sub-assembly with the 22 nuts.

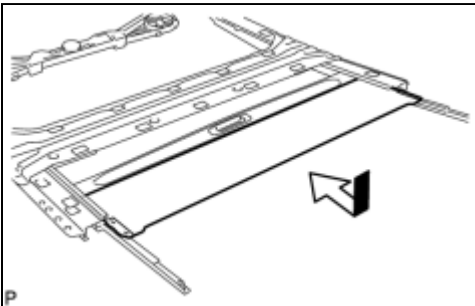
Torque: 5.4 N·m (55 kgf·cm, 48 in·lbf)

2. INSTALL NO. 1 SUNSHADE TRIM SUB-ASSEMBLY



(a) Slide and install the No. 1 sunshade trim sub-assembly.

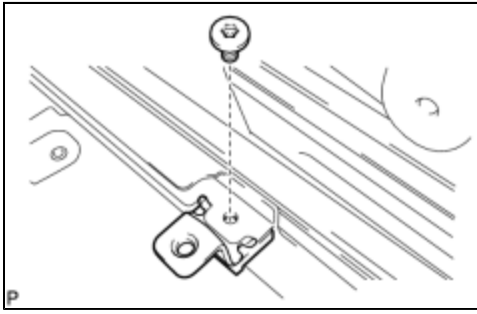
3. INSTALL NO. 2 SUNSHADE TRIM SUB-ASSEMBLY



(a) Slide and install the No. 2 sunshade trim sub-assembly.

(b) Using a T25 "TORX" socket wrench, install the sliding roof plate LH with the screw.

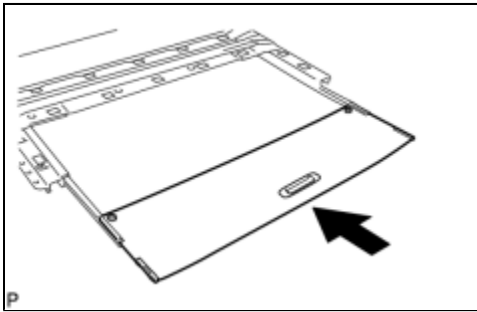
Torque: 4.0 N·m (41 kgf·cm, 35 in·lbf)



HINT:

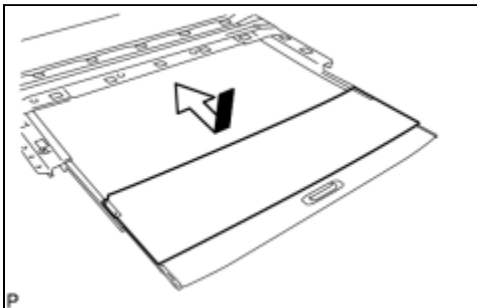
Use the same procedure for the RH side and the LH side.

4. INSTALL NO. 4 SUNSHADE TRIM SUB-ASSEMBLY

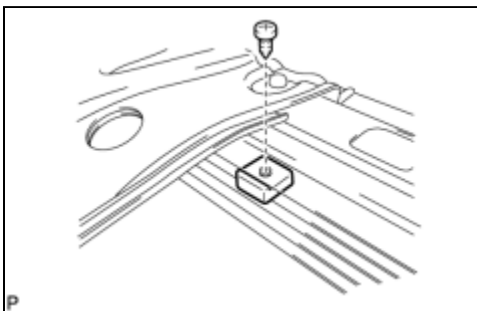


(a) Slide and install the No. 4 sunshade trim sub-assembly.

5. INSTALL NO. 3 SUNSHADE TRIM SUB-ASSEMBLY



(a) Slide and install the No. 3 sunshade trim sub-assembly.



(b) Install the front sliding roof sunshade stopper LH with the screw.

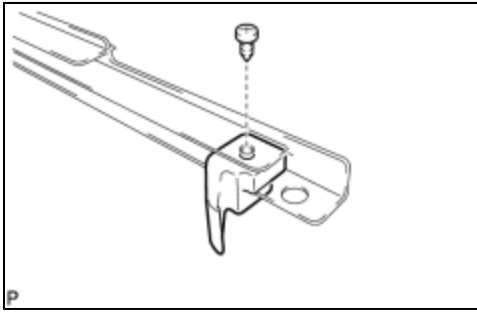
Torque: 4.0 N·m (41 kgf·cm, 35 in·lbf)

HINT:

- Use the same procedure for the other 2 stoppers.
- Use the same procedure for the RH side and the LH side.

(c) Install the rear sliding roof sunshade stopper LH with the screw.

Torque: 4.0 N·m (41 kgf·cm, 35 in·lbf)



HINT:

Use the same procedure for the RH side and the LH side.

