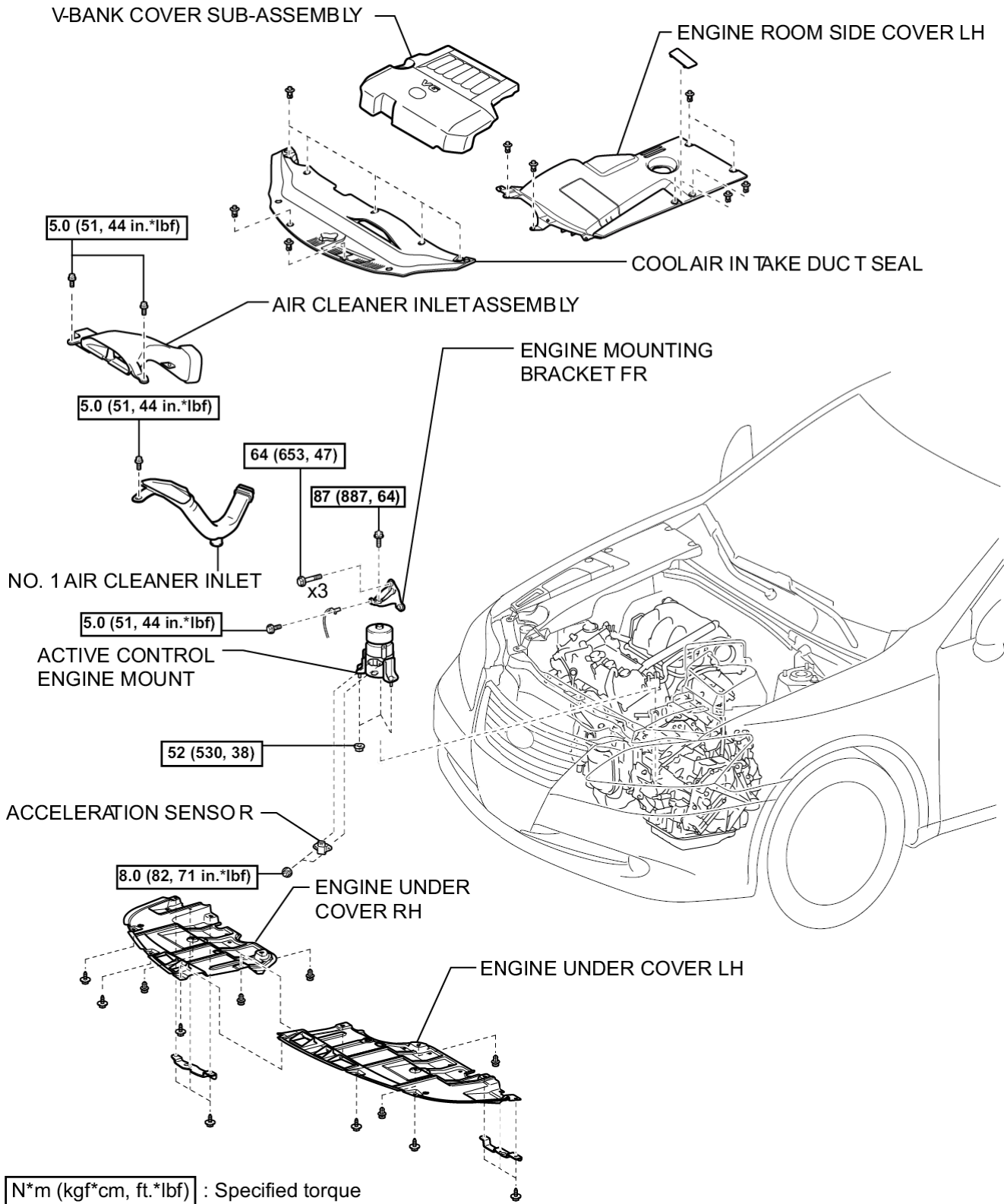


Last Modified: 7-13-2007		1.6 K
Service Category: Engine/Hybrid System	Section: Engine Control	
Model Year: 2008	Model: ES350	Doc ID: RM000002J7N002X
Title: 2GR-FE ENGINE CONTROL SYSTEM: ACTIVE CONTROL ENGINE MOUNT: COMPONENTS (2008 ES350)		

[**COMPONENTS**](#)

[**ILLUSTRATION**](#)



T

