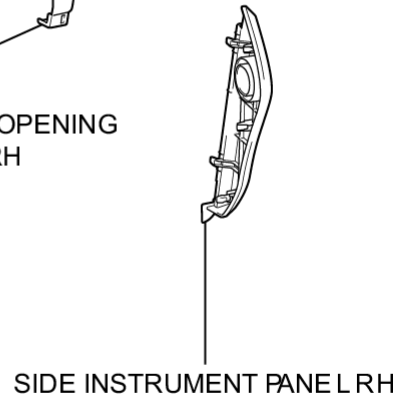
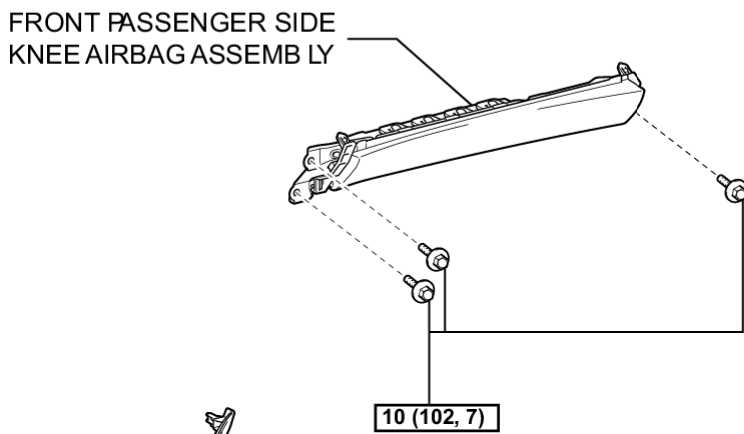
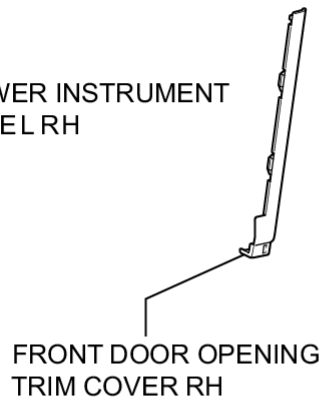
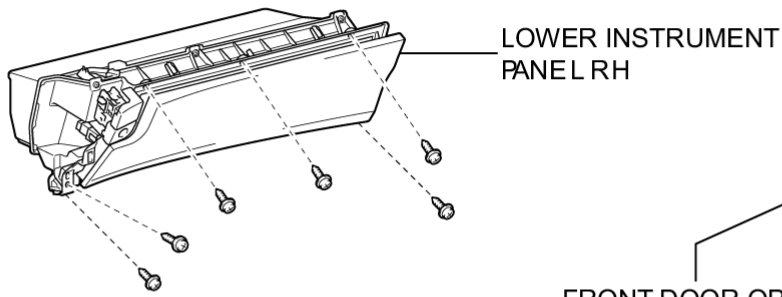
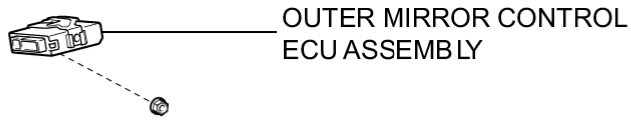


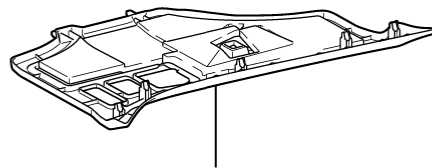
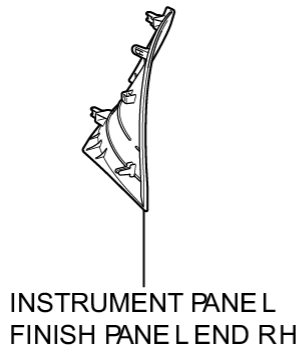
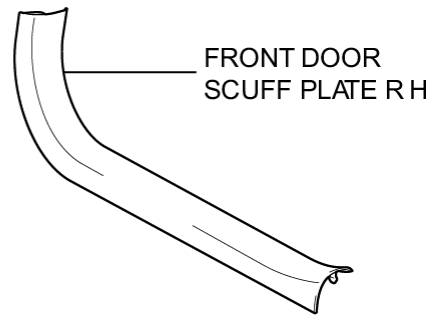
Last Modified: 7-13-2007		1.6 K
Service Category: Vehicle Exterior	Section: Mirror (ext)	
Model Year: 2008	Model: ES350	Doc ID: RM000002FYQ002X
Title: MIRROR: OUTER MIRROR CONTROL ECU: COMPONENTS (2008 ES350)		

COMPONENTS

ILLUSTRATION



10 (102, 7)



N*m (kgf*cm, ft.*lbf) : Specified torque

P

