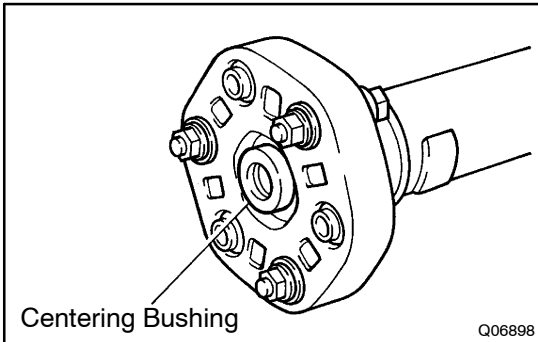


INSPECTION

1. INSPECT CENTER SUPPORT BEARING

- (a) Check for cracks in or damage to the cushion.
- (b) Check if the bearing turns smoothly.

If the center support bearing is damaged, worn or does not turn smoothly, replace it.



2. INSPECT FLEXIBLE COUPLINGS

Check for cracks in or damage to the front and rear flexible couplings.

If the flexible coupling is damaged, replace the propeller shaft assembly.

3. INSPECT FLEXIBLE COUPLING CENTERING BUSHING

Check for damage to the bushing.

If the bushing is damaged, replace the propeller shaft assembly.