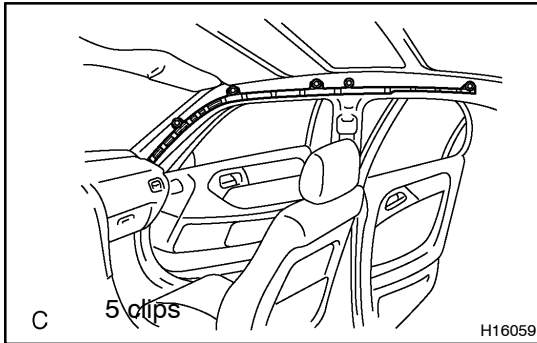


DISASSEMBLY

1. REMOVE DOOR INSIDE HANDLE BEZEL
2. REMOVE ARMREST BASE PANEL
3. REMOVE REAR DOOR COURTESY LIGHT



4. REMOVE DOOR TRIM

- (a) Remove the 5 screws.
- (b) Insert a screwdriver between the panel and the trim and remove the clips.

NOTICE:

Do not scratch the panel with the screwdriver.

HINT:

Tape the screwdriver tip before use.

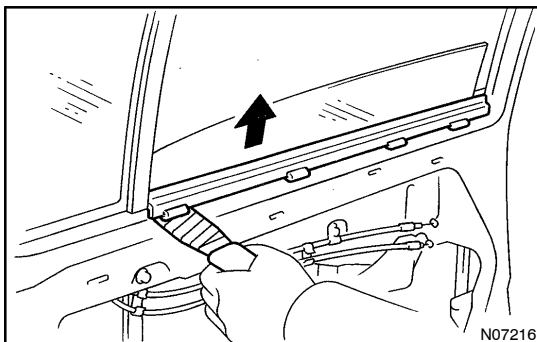
- (c) Remove the trim by pulling all of the trim up.
- (d) Remove the 2 cables from the door inside handle.

5. REMOVE REAR DOOR SPEAKER

6. REAR DOOR FRAME GARNISH

7. REMOVE INSIDE HANDLE

8. REMOVE REAR DOOR ECU



9. REMOVE REAR DOOR INNER WEATHERSTRIP

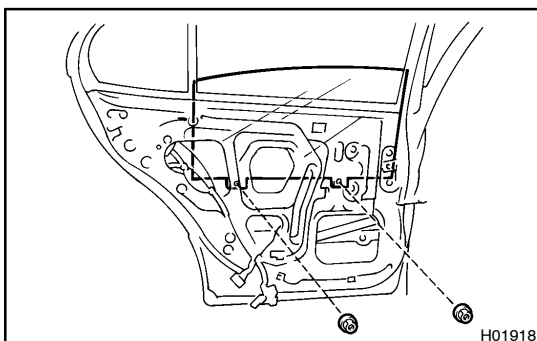
Using a scraper, remove the inner weatherstrip.

HINT:

Tape the scraper tip before use.

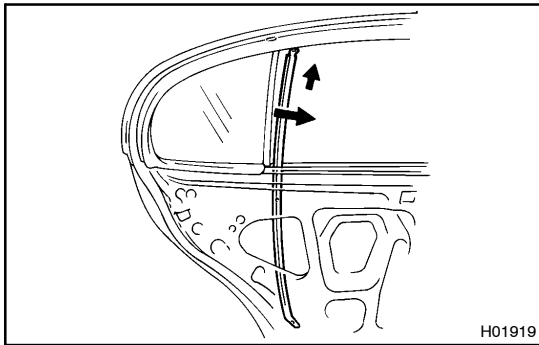
10. REMOVE SERVICE HOLE COVER

11. REMOVE REAR DOOR GLASS RUN

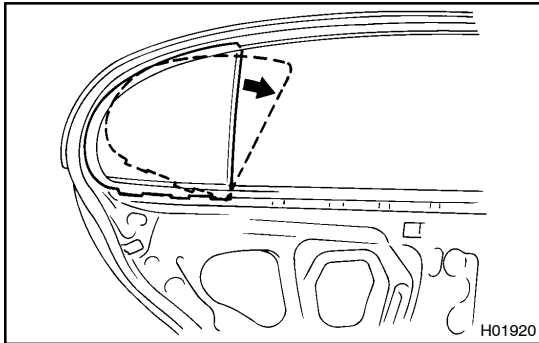
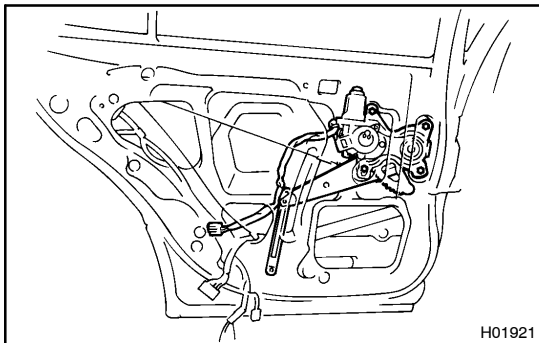


12. REMOVE DOOR GLASS

Remove the 2 nuts and the door glass.

**13. REMOVE DIVISION BAR**

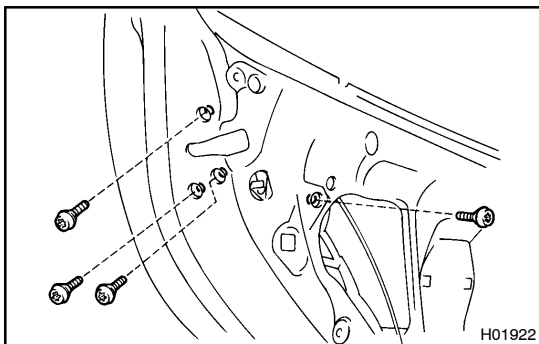
- (a) Remove the 2 bolts and screw.
- (b) Remove the division bar.

**14. REMOVE REAR DOOR QUARTER WINDOW GLASS****15. REMOVE WINDOW REGULATOR**

Torque: 8.0 N·m (82 kgf·cm, 71 in·lbf)

HINT:

At the time of reassembly, please refer to the following item.
Apply adhesive MP grease to window rollers.

**16. REMOVE DOOR LOCK**

Torque: 5.5 N·m (56 kgf·cm, 49 in·lbf)

HINT:

At the time of reassembly, please refer to the following item.
Apply adhesive to the screw.

Part No. 08833-00070 THREE BOND 1324 or equivalent

17. REMOVE REAR DOOR OUTSIDE HANDLE

Torque: 5.5 N·m (56 kgf·cm, 49 in·lbf)

18. REMOVE CHILD PROTECTOR LOCK LEVER KNOB**19. REMOVE REAR DOOR INSIDE HANDLE****20. REMOVE ORNAMENT****21. REMOVE PANEL**