

CHILD RESTRAINT SEAT TOP STRAP BRACKET INSTALLATION

TECHNICAL SERVICE BULLETIN

Reference Number(s): BO004-02, Date of Issue: July 29, 2002

LEXUS: 1990 - 2000 All Models

SECTION: Body

Related Ref Number(s): BO004-02

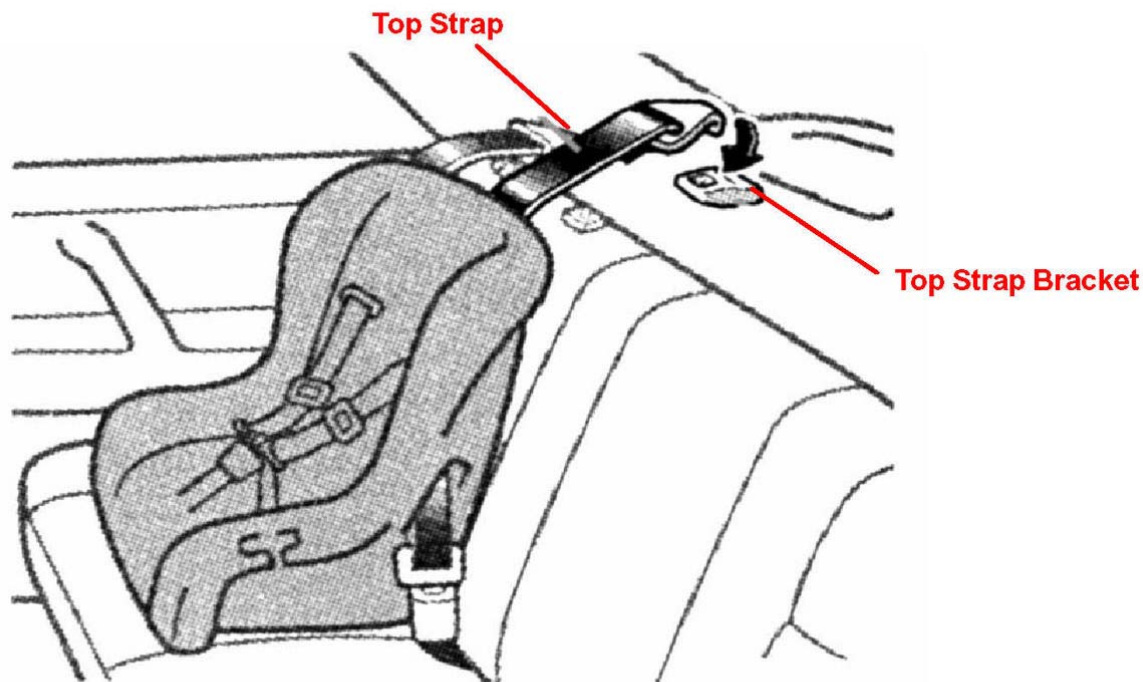
ARTICLE BEGINNING

INTRODUCTION

Child restraint seat top strap bracket installation procedures are provided to supplement the Owner's Manual. Beginning with 2001 models, the top strap brackets are factory installed.

NOTE:

- **The child restraint seat top strap assembly is not available as a service part. Contact the child restraint seat manufacturer for recommended top strap information, top strap to child restraint seat installation instructions, and top strap retailers.**
- **The top strap brackets can only be installed on vehicles that have nuts welded in place by the factory. The locations of these nuts can be found in the Owner's Manual (for most 1990 and newer models). Lexus does not recommend modifying vehicles that do not have nuts welded in place by the factory. All LX 450 and LX 470 vehicles, prior to 2001 model year, may not have these nuts welded in by the factory.**



G02519246

Fig. 1: Locating Top Strap Bracket

Courtesy of TOYOTA MOTOR SALES, U.S.A., INC.

APPLICABLE VEHICLES

1990 - 2000 model year vehicles, **all models.**

PARTS INFORMATION

PARTS INFORMATION

PART NUMBER	PART NAME
73709-12010	Bracket Sub-Assembly (Bracket, Bolt, 10 mm Spacer, and Washers)
04731-22012	CRS Kit (two Bolts [15 mm, 30 mm], three Spacers [5 mm, 10 mm, 15 mm], and Locking Clip)

WARRANTY INFORMATION

WARRANTY INFORMATION

OP CODE	DESCRIPTION	TIME	OFP	T1	T2
N/A	Not Applicable to Warranty	---	---	---	---

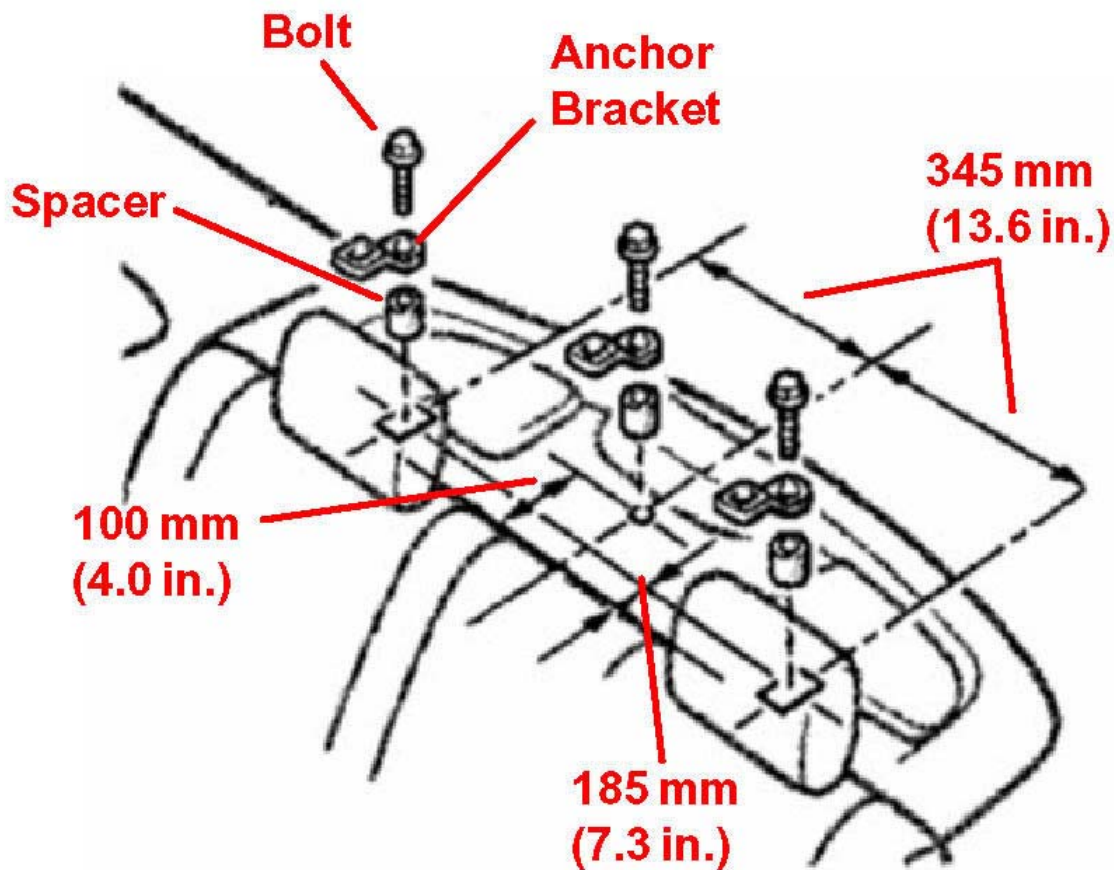
INSTALLATION PROCEDURE

CHILD RESTRAINT SEAT TOP STRAP BRACKET INSTALLATION

Obtain the exact year and vehicle model Lexus Owner's Manual before beginning installation.

1. Confirm with the customer which seat location(s) they will be installing the child restraint seat. The Owner's Manual seat section provides an illustration showing available top strap bracket location(s). The illustration page in the Owner's Manual is provided in [OWNER'S MANUAL REFERENCE INFORMATION PART 1 OF 2](#) and [OWNER'S MANUAL REFERENCE INFORMATION PARTS 2 OF 2](#) of this bulletin.

NOTE: Determine which kit parts are needed for each specific child seat location, by referring to [OWNER'S MANUAL REFERENCE INFORMATION PART 1 OF 2](#) and [OWNER'S MANUAL REFERENCE INFORMATION PART 2 OF 2](#) of this bulletin.



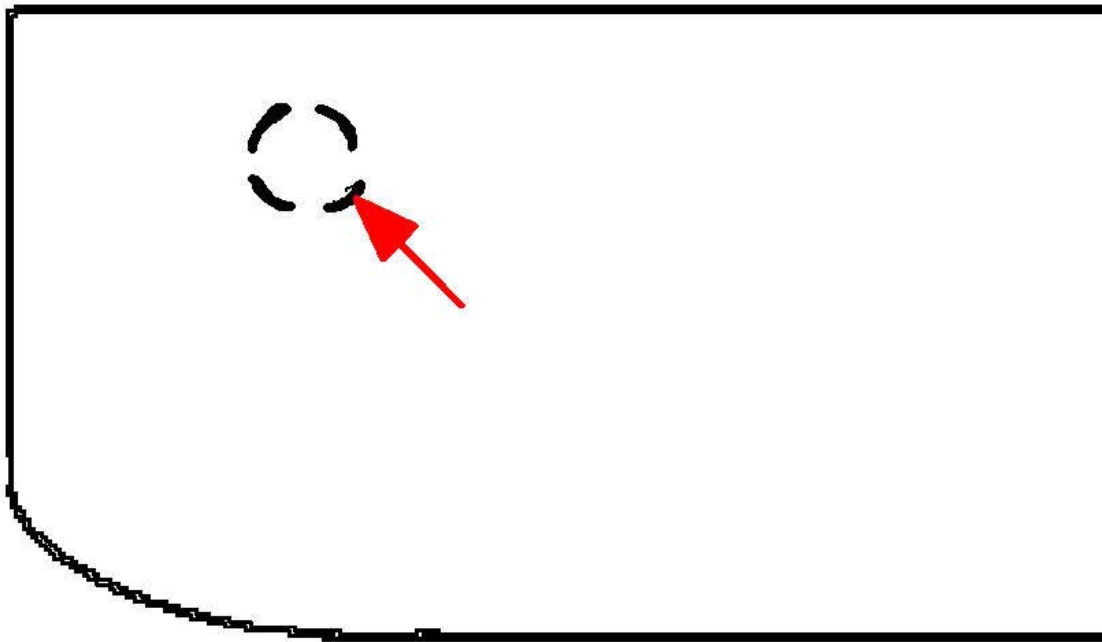
Example of 1999 ES 300 Showing Three (3) Available Bracket Locations

G02519247

Fig. 2: Available Bracket Locations

Courtesy of TOYOTA MOTOR SALES, U.S.A., INC.

2. Remove a 20 mm diameter area of the carpet or trim material above the bracket mounting location. In some vehicles, a 20 mm circle is already pre-cut into the interior trim material. Once the interior trim material is removed, the nuts welded in by the factory should be visible.

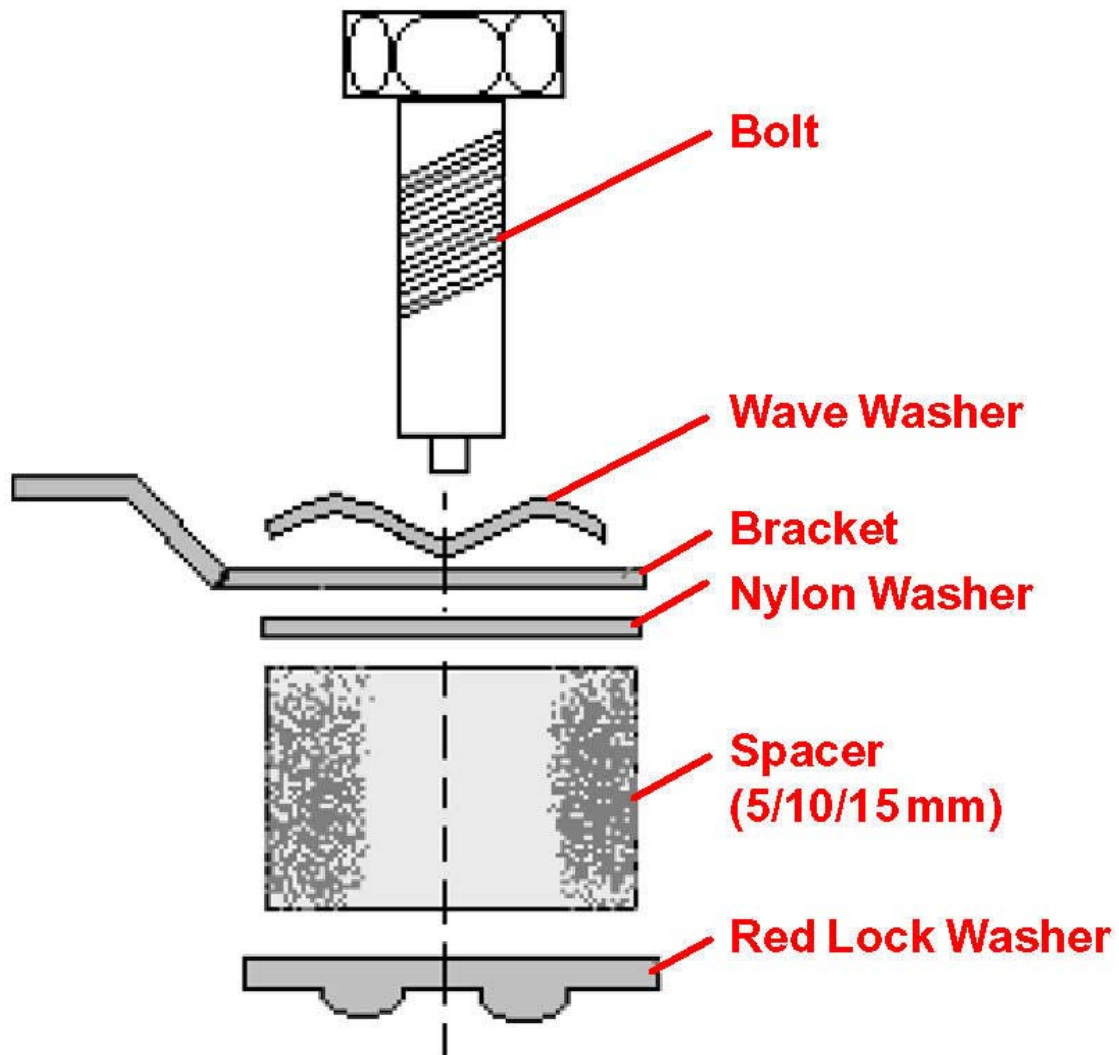
**Example of Pre-Cut Circle in Package Tray Finisher**

G02519248

Fig. 3: Pre-Cut Circle In Package Tray Finisher

Courtesy of TOYOTA MOTOR SALES, U.S.A., INC.

3. If a 5 mm or 15 mm spacer is specified, remove the red lock washer from the Bracket Sub-Assembly (P/N 73709-12010) and remove the 10 mm spacer. Assure the red lock washer is re-installed onto the bolt. If a 5 mm spacer is needed, use the 15 mm bolt from the CRS Kit (P/N 04731-22012).

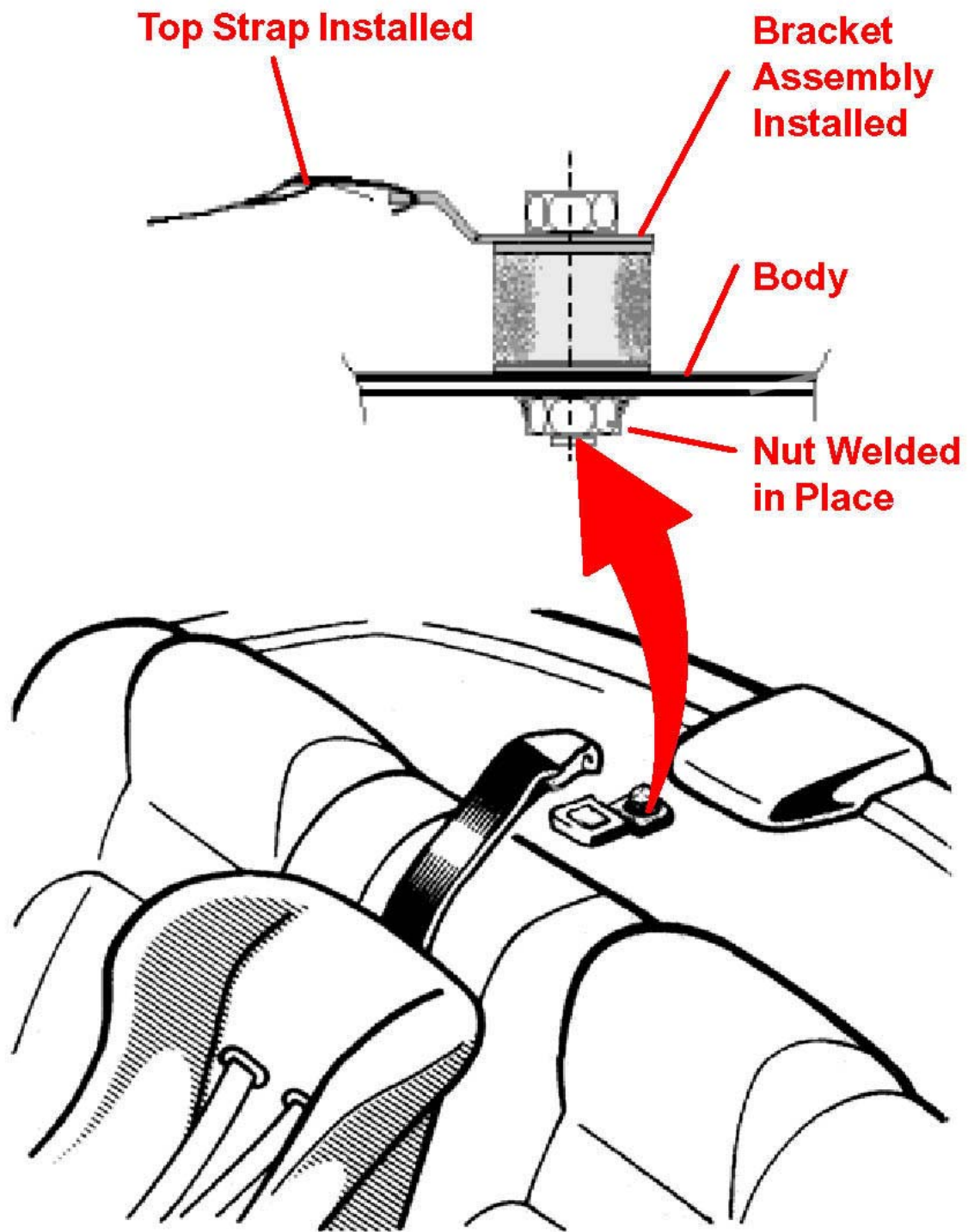


G02519249

Fig. 4: Bracket Sub-Assembly

Courtesy of TOYOTA MOTOR SALES, U.S.A., INC.

4. Install the bracket assembly, according to the directions in the Owner's Manual. Tighten the bolt to 16.5 - 24.7 N.m, (1.68 - 2.52 kgf.m, 12.2-18.2 ft-lbf).
 - Assure the top strap is attached to the child seat, according to the child seat manufacturer's instructions.
 - Assure the child seat is installed in the vehicle according to the Lexus Owner's Manual (seat section).



G02519250

Fig. 5: Installing Bracket Assembly
Courtesy of TOYOTA MOTOR SALES, U.S.A., INC.

INSTALLATION REFERENCE INFORMATION

OWNER'S MANUAL INSTALLATION REFERENCE INFORMATION

OWNER'S MANUAL REFERENCE INFORMATION PART 1 OF 2 and **OWNER'S MANUAL REFERENCE INFORMATION PART 2 OF 2** of this bulletin is a reference chart containing:

- Owner's Manual page(s) that provide the illustration showing available top strap bracket location (s). The information goes back to 1990 model year. 2001 models and newer already had the bracket installed by the factory.
- Installation notes, such as bracket spacer sizes for each specific child seat location.

EXAMPLE:

OWNER'S MANUAL	ES 300
1997	pg 89-90 a

This cell contains information on the 1997 ES300

Refer to this page in the Owner's Manual to find the illustration showing available top strap bracket locations.

Installation Note. In this case, all bracket positions on the 1997 ES 300 will require a 15 mm spacer.

G02519251

Fig. 6: Owner's Manual Reference Information

Courtesy of TOYOTA MOTOR SALES, U.S.A., INC.

INSTALLATION NOTE DESCRIPTION

INSTALLATION NOTE	COMMENT
a	Spacer - 15 mm for all anchors
b	Spacer - 10 mm for outer, 15 mm for center
c	Spacer - 15 mm for outer, 10 mm for center
d	Spacer - 5 mm for all anchors
N/A	Top strap anchor bracket mounting not available
Standard	No installation necessary, anchor already installed by factory

OWNER'S MANUAL REFERENCE INFORMATION PART 1 OF 2

OWNER'S MANUAL	LS400	ES300	ES250	SC400	SC300
2000	pg 117-118 Standard	pg 114-115 Standard	---	N/A	N/A
1999	pg 112-114 a	pg 105-106 a	N/A	---	N/A
1998	pg 111-113 a	pg 99-100 a	---	N/A	N/A
1997	pg 98-100 a	pg 89-90 a	pg 91-92 a	---	pg 91-92 a
1996	pg 79-82 a	pg 67-68 c		pg 72-73 a	pg 72-73 a

1995	pg 77-80 a	pg 67-68 c	---	pg 70-71 a	pg 70-71 a
1994	pg 74-75 b	pg 68-69 c	---	pg 67-68 a	pg 67-68 a
1993	pg 74-75 b	pg 60-61 c	---	pg 67-68 a	pg 67-68 a
1992	pg 62 b	pg 61-62 c	---	pg 61-62 a	pg 61-62 a
1991	pg 61-62 b	---	pg 59-60 a	---	---
1990	pg 61 b	---	pg 55-56 a	---	---

OWNER'S MANUAL REFERENCE INFORMATION PART 2 OF 2

OWNER'S MANUAL	GS400	GS300	LX470	LX450	RX300
2000	pg 112-113 Standard	pg 112-113 Standard	N/A	---	pg 126-127 d
1999	pg 108-109 a	pg 108-109 a	N/A	---	pg 123-124 d ⁽¹⁾
1998	pg 107-108 a	pg 107-108 a	N/A	---	---
1997	---	pg 97-98 a	---	N/A	---
1996	---	pg 70-72 a	---	N/A	---
1995	---	pg 69-70 a	---	---	---
1994	---	pg 69-70 a	---	---	---
1993	---	pg 69-70 a	---	---	---
1992	---	---	---	---	---
1991	---	---	---	---	---
1990	---	---	---	---	---

(1) 1999 RX 300 Owner's Manual OM48403U refer to pages 126-127.

© 2008 Mitchell Repair Information Co., LLC.