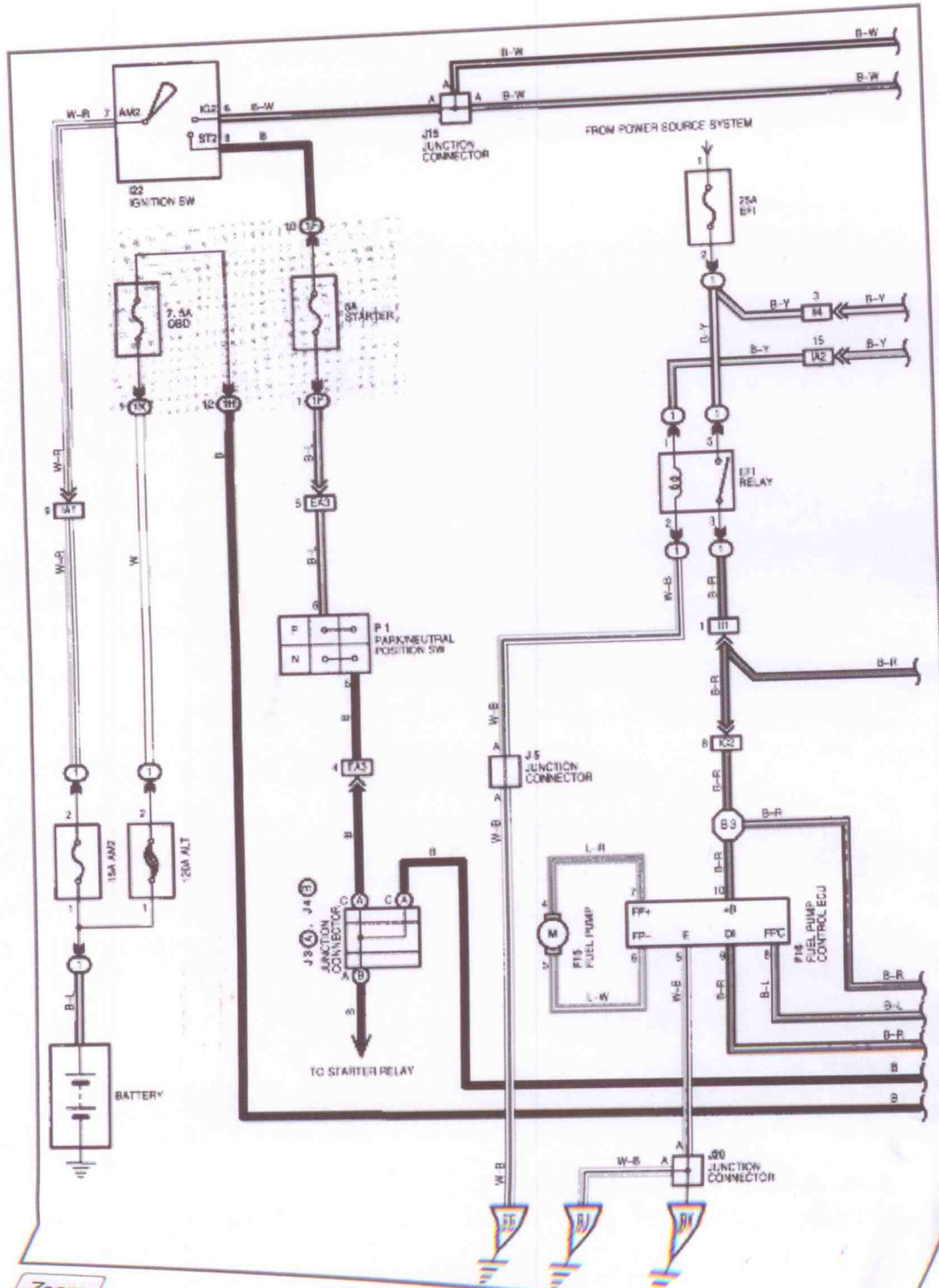


1999 Lexus GS 300 L6-3.0L (2JZ-GE)

Vehicle Level → Powertrain Management → Diagrams → Electrical Diagrams → Engine Controls ←

Engine Controls



Zoom

Sized for Print

Engine Control (Part 1 of 7)

Battery

EFI Relay

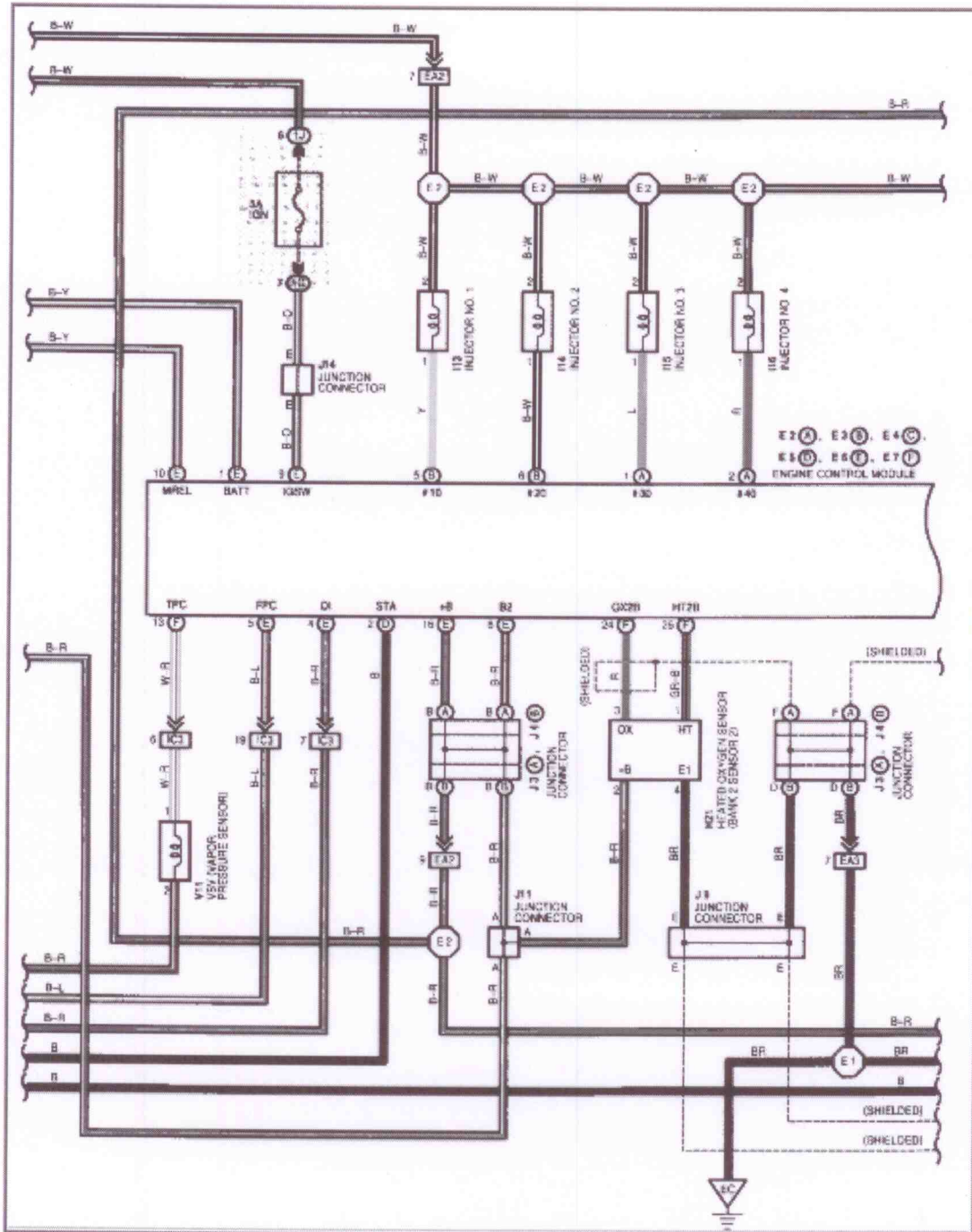
Fuel Pump Control ECU

Fuel Pump

Ignition SW

Junction Connector

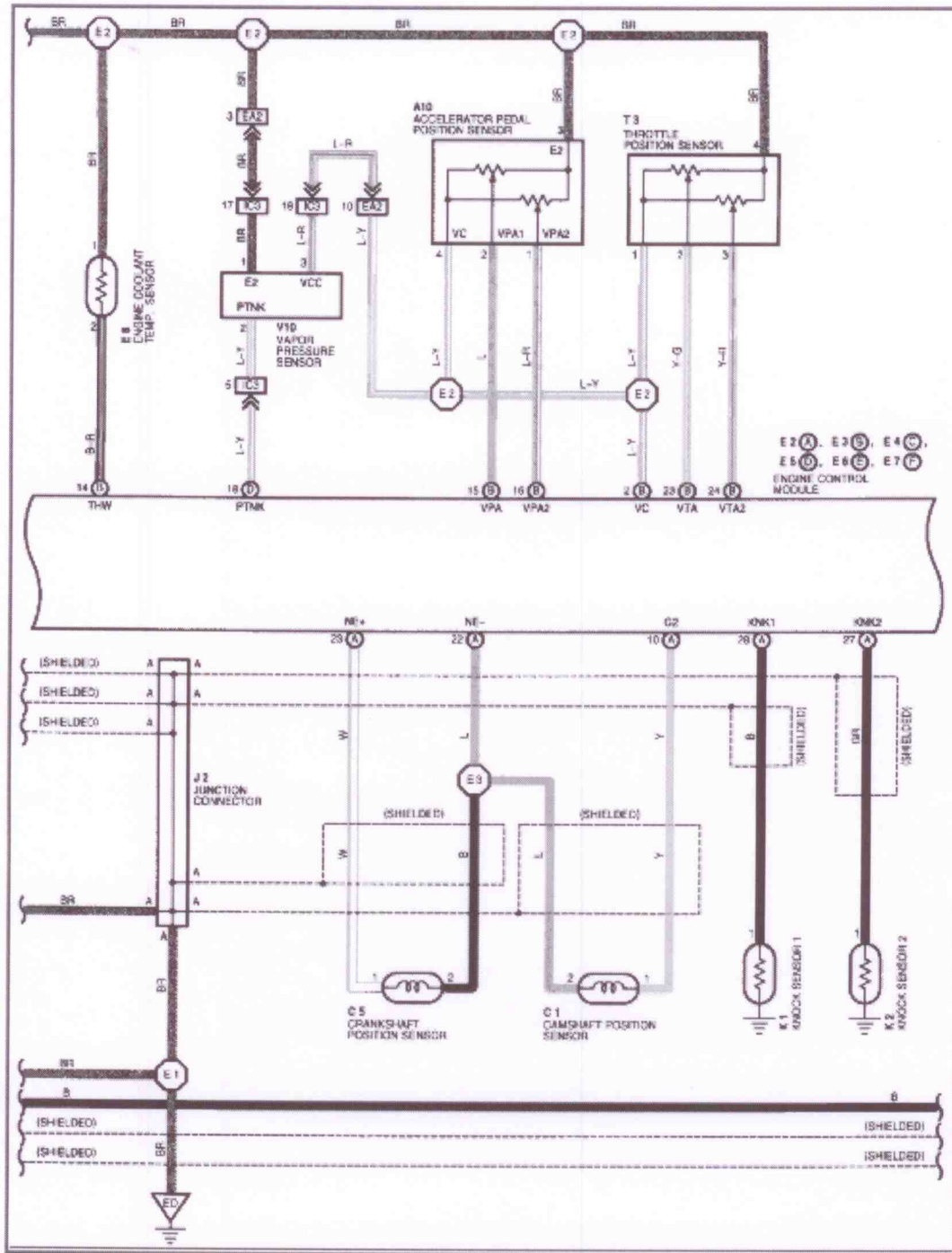
Park/Neutral Position SW



Zoom

Sized for Print

Junction Connector
 Mass Air Flow Meter
 Oxygen Sensor
 VSV



Zoom

Sized for Print

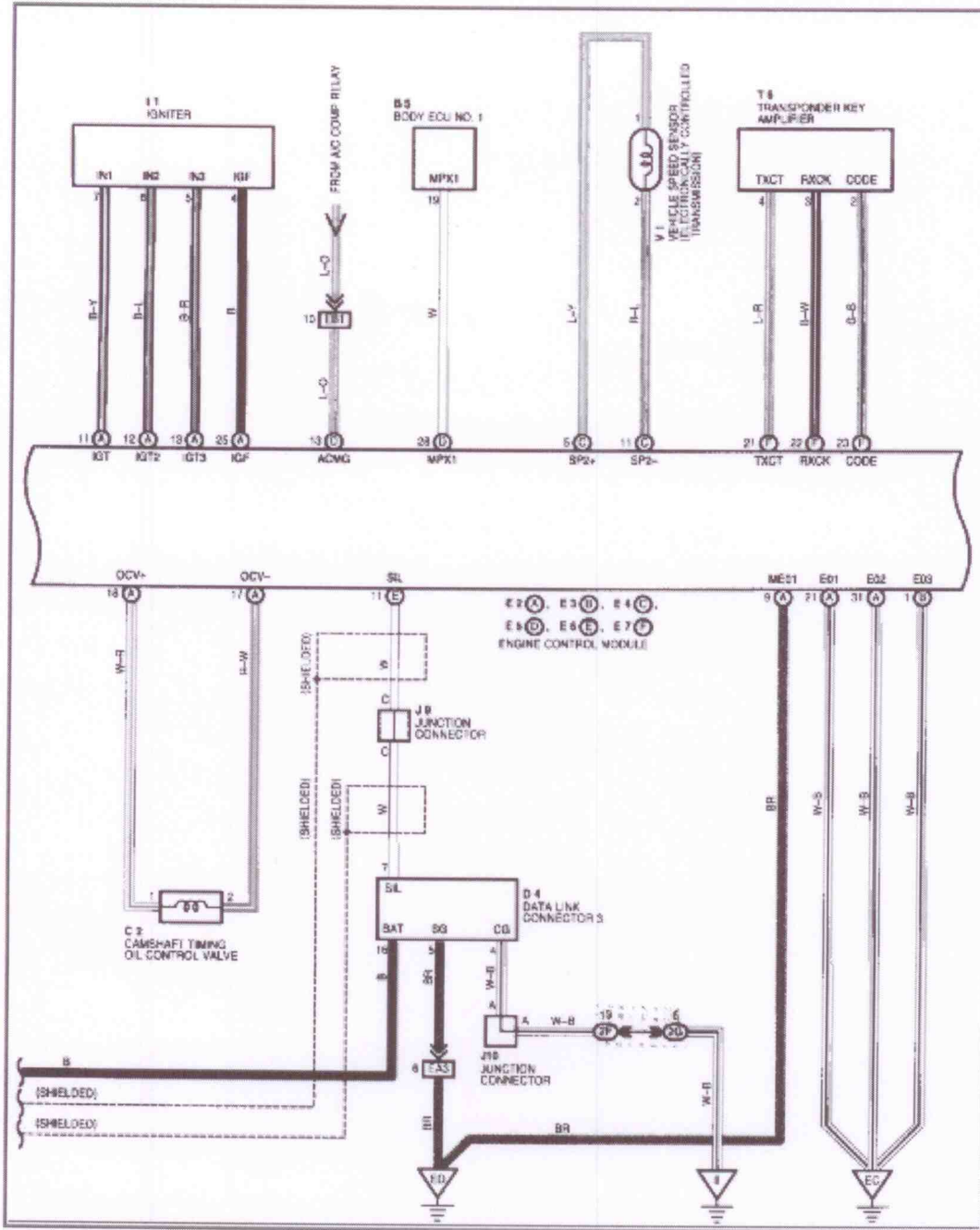
Engine Control (Part 4 of 7)
 Accelerator Pedal Position Position Sensor
 Camshaft Position Sensor
 Crankshaft Position Sensor
 Engine Control Module

Engine Coolant Temp. Sensor

[Knock Sensor](#)

[Throttle Position Sensor](#)

[Vapour Pressure Sensor](#)



Zoom

Sized for Print

- Engine Control (Part 5 of 7)
- Body ECU
- Camshaft Timing Oil Control Valve
- [Engine Control Module](#)
- Junction Connector
- Igniter
- Transponder Key Amplifier

