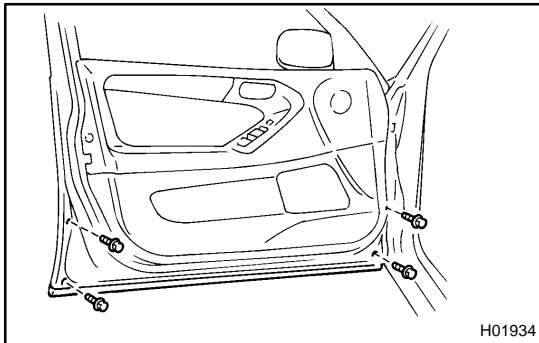


REMOVAL

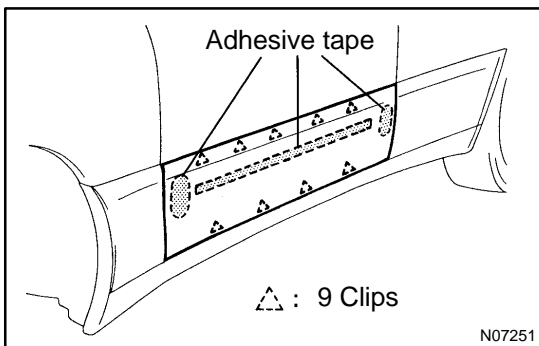
1. REMOVE FRONT FENDER MOULDING

- (a) Using a hexagon wrench, remove the 2 screws.
- (b) Using a moulding remover, pry out the moulding.
- (c) Remove the moulding.

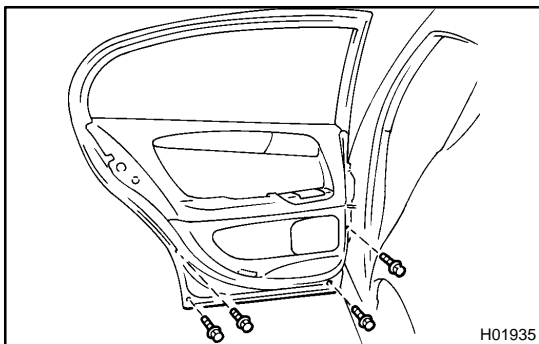


2. REMOVE FRONT DOOR OUTSIDE MOULDING

- (a) Remove the 4 bolts.

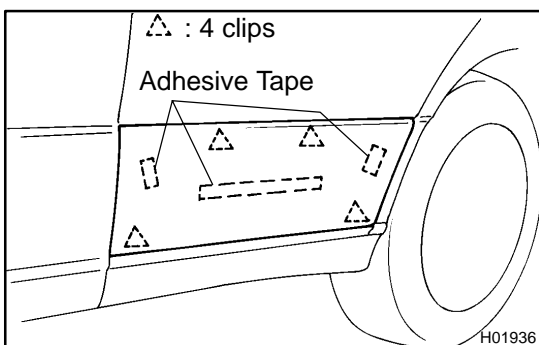


- (b) Using a moulding remover, pry out the moulding.
- (c) Pull off the moulding by cutting the adhesive tape with a knife.
- (d) Remove the moulding.

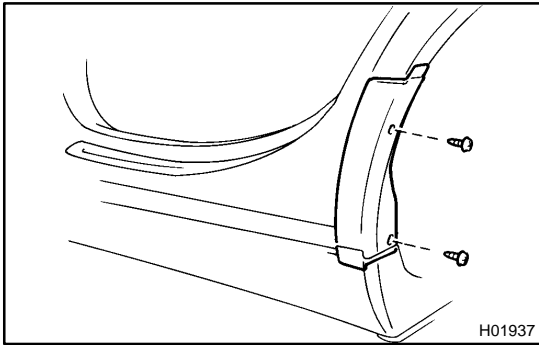


3. REMOVE REAR DOOR OUTSIDE MOULDING

- (a) Remove the 4 bolts.



- (b) Using a moulding remover, pry out the moulding.
- (c) Pull off the moulding by cutting the adhesive tape with a knife.
- (d) Remove the moulding.

**4. REMOVE QUARTER OUTSIDE MOULDING**

- (a) Remove the 2 screws.
- (b) Using a moulding remover, pry out the moulding.
- (c) Remove the moulding.