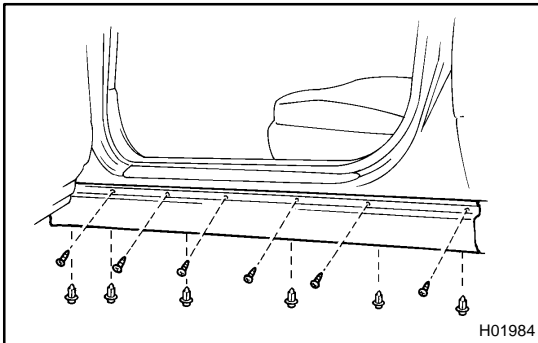


REMOVAL

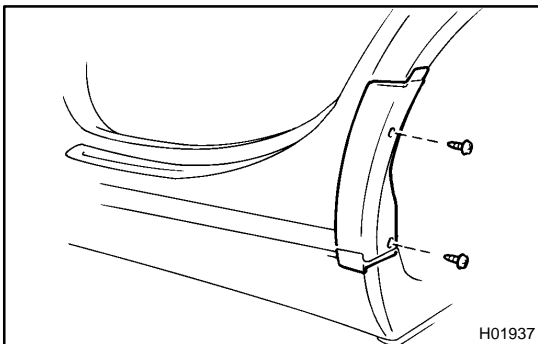
1. REMOVE FRONT FENDER MOULDING

- (a) Using a hexagon wrench, remove the 2 screws.
- (b) Using a moulding remover, pry out the moulding.
- (c) Remove the moulding.



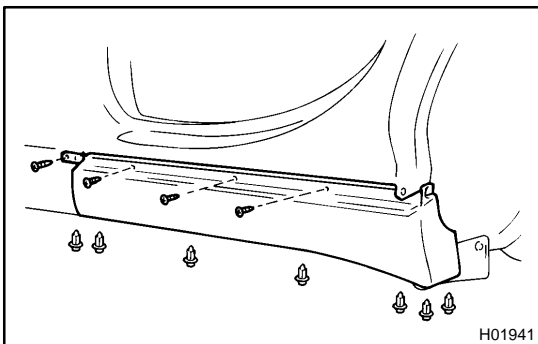
2. REMOVE FRONT ROCKER PANEL MOULDING

- (a) Remove the 6 screws.
- (b) Using a clip remover, remove the 6 clips.
- (c) Using a moulding remover, remove the moulding.



3. REMOVE QUARTER OUTSIDE MOULDING

- (a) Remove the 2 screws.
- (b) Using a moulding remover, pry out the moulding.
- (c) Remove the moulding.



4. REMOVE REAR ROCKER PANEL MOULDING

- (a) Remove the screw.
- (b) Using a clip remover, remove the 2 clips.
- (c) Using a moulding remover, remove the moulding.