

SHIFT LOCK CONTROL ECU

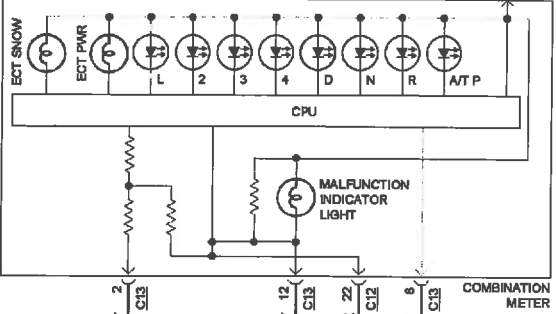
AT INDICATOR LIGHT SWITCH (INTEGRAL TO PARK/NEUTRAL POSITION SWITCH)

HOT IN ON OR START
GAUGE FUSE 10A

HOT AT ALL TIMES
STOP FUSE 15A

OBD FUSE 7.5A

DRIVER SIDE JUNCTION BLOCK

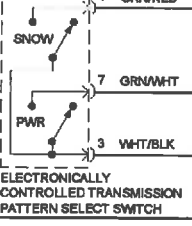


AC CONTROL ASSEMBLY



COMBINATION METER

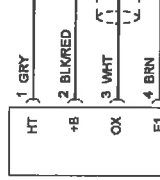
G201



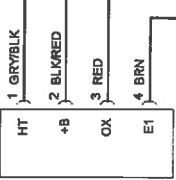
ELECTRONICALLY CONTROLLED TRANSMISSION PATTERN SELECT SWITCH



BODY ECU 1



HEATED OXYGEN SENSOR (BANK 1 SENSOR 2)



HEATED OXYGEN SENSOR (BANK 2 SENSOR 2)

VAPOR PRESSURE SENSOR

G131

