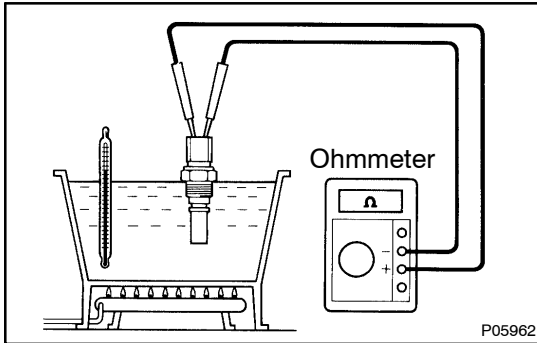


ENGINE COOLANT TEMPERATURE (ECT) SWITCH INSPECTION

CO0BA-01

1. **DRAIN ENGINE COOLANT**
2. **REMOVE ECT SWITCH**
 - (a) Disconnect the connector.
 - (b) Remove the ECT switch.
 - (c) Remove the O-ring from the ECT switch.



3. **INSPECT ECT SWITCH**
 - (a) Using an ohmmeter, check that there is no continuity between the terminals when the coolant temperature is above 93°C (199°F).

If there is continuity, replace the switch.

- (b) Using an ohmmeter, check that there is continuity between the terminals when the coolant temperature is below 83°C (181°F).

If there is no continuity, replace the switch.

4. **REINSTALL ECT SWITCH**
 - (a) Install a new O-ring to the ECT switch.
 - (b) Install the ECT switch.
 - (c) Connect the connector.
5. **REFILL WITH ENGINE COOLANT (See page CO-2)**
6. **START ENGINE AND CHECK FOR ENGINE COOLANT LEAKS**