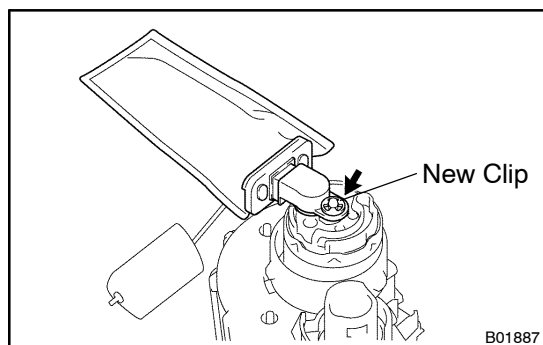


## INSTALLATION

### 1. INSTALL FUEL PUMP

- Apply a light coat of gasoline to the O-ring.
- Push in the fuel pump.
- Connect the fuel pump connector.

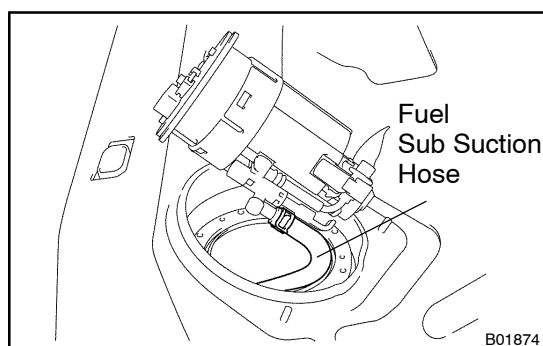


### 2. INSTALL FUEL SUCTION FILTER

Install the suction filter with a new clip.

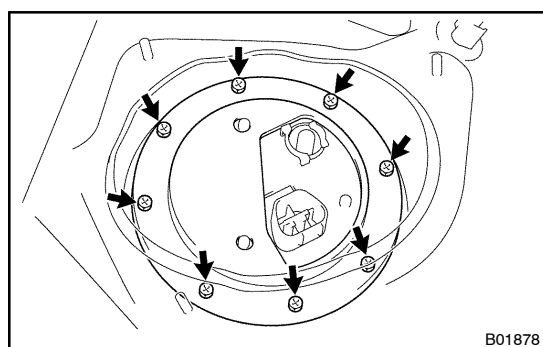
### 3. INSTALL FUEL PRESSURE REGULATOR AND FUEL RETURN JET TUBE ASSEMBLY (See page SF-18)

### 4. INSTALL NO.2 FUEL SUCTION SUPPORT (See page SF-18)

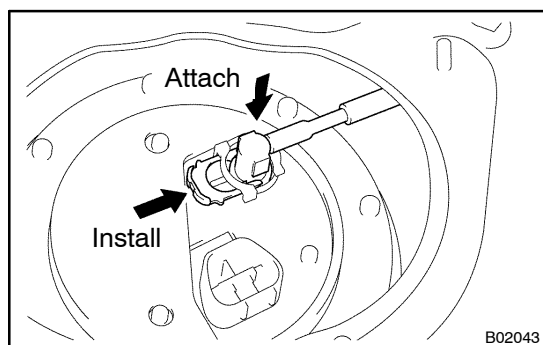


### 5. INSTALL FUEL PUMP AND SENDER GAUGE ASSEMBLY TO FUEL TANK

- Install a new gasket to the fuel suction plate.
- Connect the fuel sub suction hose to the fuel return jet tube.
- Attach the fuel pump and sender gauge assembly to the fuel tank.



- Install the fuel tank vent tube set plate with the 8 bolts.  
**Torque: 3.5 N·m (36 kgf·cm, 31 in·lbf)**

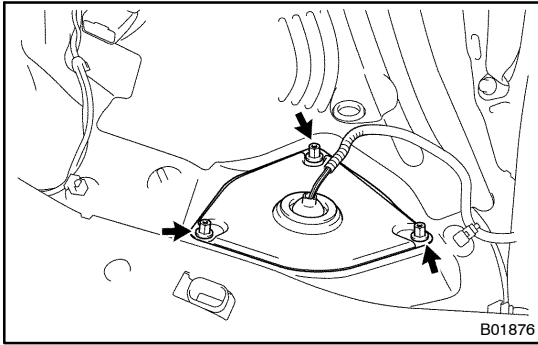


### 6. CONNECT FUEL TANK MAIN TUBE (FUEL TUBE CONNECTOR) TO FUEL SUCTION PLATE

- Attach the fuel tube connector to the port of the fuel suction plate.
- Install the tube joint clip.

### 7. CONNECT FUEL PUMP & SENDER GAUGE CONNECTOR

### 8. CHECK FOR FUEL LEAKS (See page SF-1)

**9. INSTALL FLOOR SERVICE HOLE COVER**

Install the service hole cover with the 3 cap nuts.

**10. INSTALL REAR SEAT CUSHION**