

REMOVAL

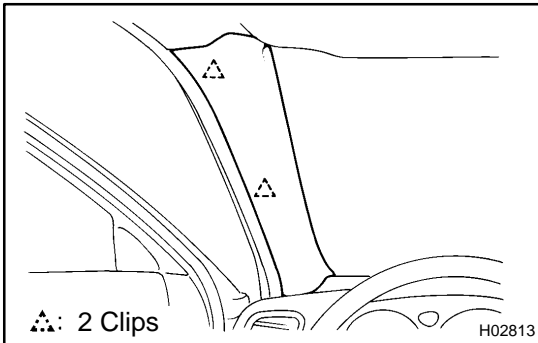
1. REMOVE MAP LAMP ASSEMBLY

- (a) Using a screwdriver, remove the lens and cover.

HINT:

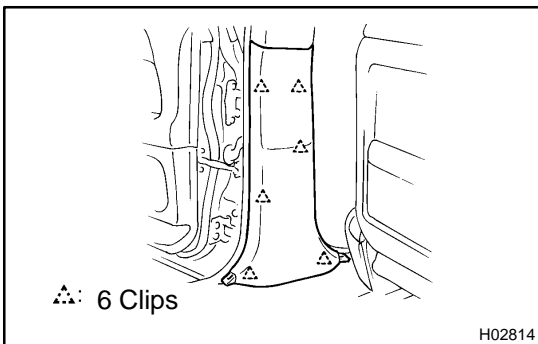
Tape the screwdriver tip before use.

- (b) Remove the 4 screws and map lamp assembly.
 (c) Disconnect the connectors.



2. REMOVE THESE PARTS:

- (a) Rear seat
 (See page [BO-118](#))
 (b) Sun visors and holders
 (c) Assist grips
 (d) Front door inside scuff plates
 (e) Rear door inside scuff plates
 (f) Front door opening trims
 (g) Rear door opening trims
 (h) Front pillar garnishes
 (i) Rear personal lights
 (j) Rear seat side garnishes

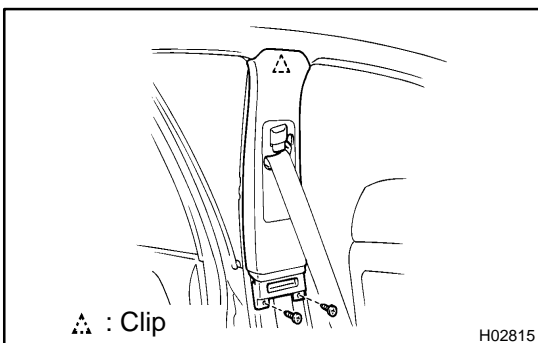


3. REMOVE CENTER PILLAR LOWER GARNISH

Using a screwdriver, remove the center pillar lower garnish.

HINT:

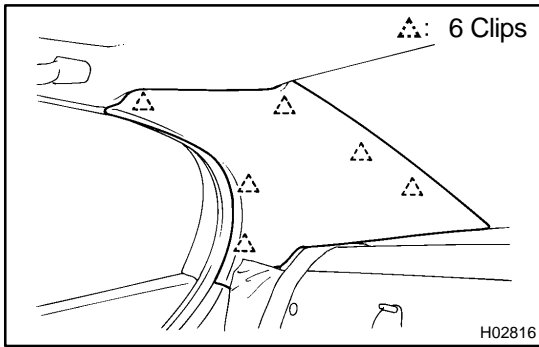
- Tape the screwdriver tip before use.
- Do the same for LH and RH.



4. REMOVE CENTER PILLAR UPPER GARNISH

HINT:

- Tape the screwdriver tip before use.
 - Do the same for LH and RH.
- (a) Remove the 2 screws.
 (b) Using the screwdriver, remove the center pillar upper garnish.

**5. REMOVE ROOF SIDE INNER GARNISH**

Using a screwdriver, remove the roof side inner garnishes.

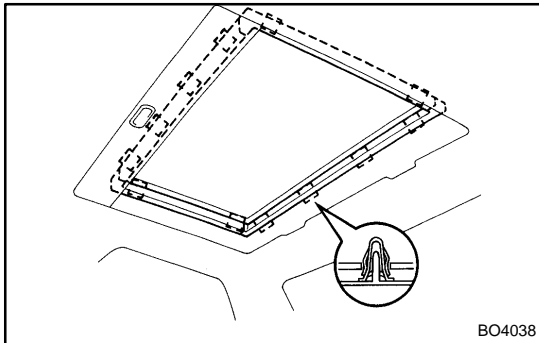
HINT:

Tape the screwdriver tip before use.

6. REMOVE ROOF HEADLINING

(a) Remove the opening trim.

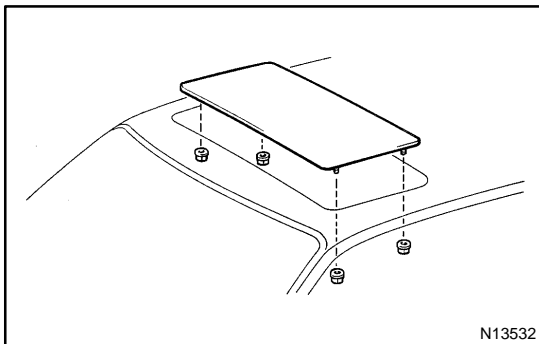
(b) Release the 3 clips and fastener tapes to remove the roof headlining.

**7. REMOVE SLIDING ROOF GARNISHES**

Using a screwdriver, remove the sliding roof garnishes.

HINT:

- Tape the screwdriver tip before use.
- Be careful not to scratch the glass or garnishes.

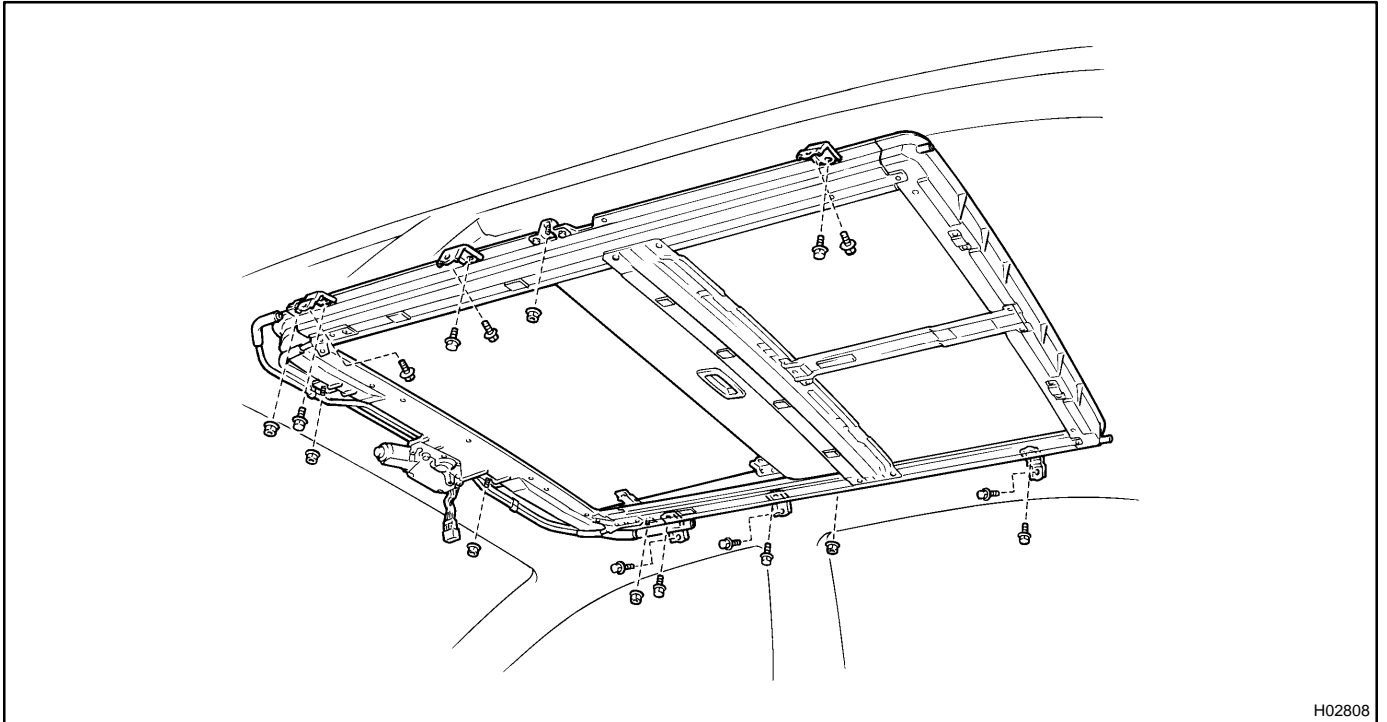
**8. REMOVE SLIDING ROOF GLASS**

(a) Remove the 4 nuts.

(b) Pull the glass upward to remove it.

9. REMOVE SLIDING ROOF HOUSING

- (a) Disconnect the connector.
- (b) Remove the 4 clips and disconnect the 4 drain hoses from the housing.
- (c) Remove the 12 bolts and 6 brackets.
- (d) Remove the 6 nuts and sliding roof housing from the body.



H02808