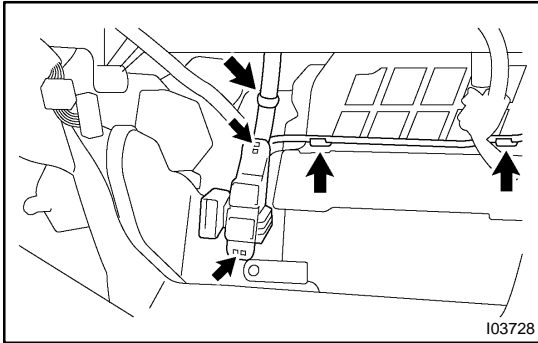


SERVOMOTOR REMOVAL

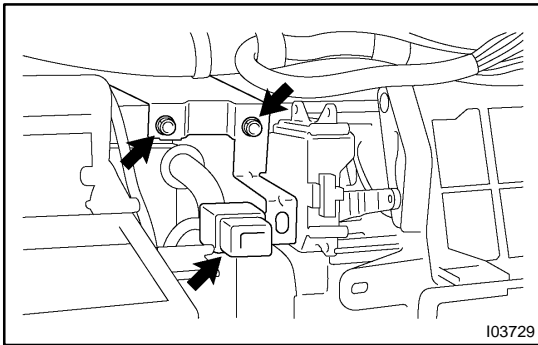
AC0XH-01

1. REMOVE AIR INLET SERVOMOTOR

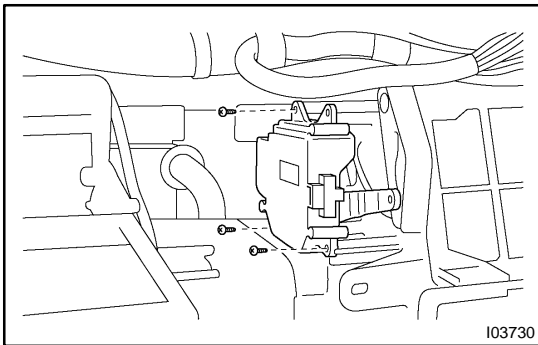
- (a) Remove these parts:
- (1) Front door scuff plate RH
 - (2) Cowl side trim RH
 - (3) No.2 under cover
 - (4) Glove compartment door
 - (5) Glove compartment panel (See page [BO-93](#))
- (b) Disconnect the wire harness.



- (c) Remove the bracket.
- (1) Disconnect wire harness clamp.
 - (2) Remove the 2 bolts and bracket.

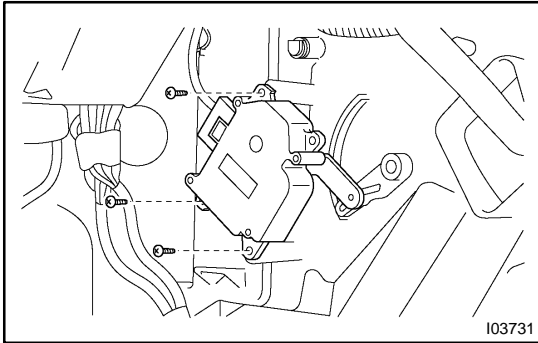


- (d) Remove the air inlet servomotor.
- (1) Disconnect the connector.
 - (2) Remove the 3 screws and servomotor.



2. REMOVE AIR MIX SERVOMOTOR (Driver Side)

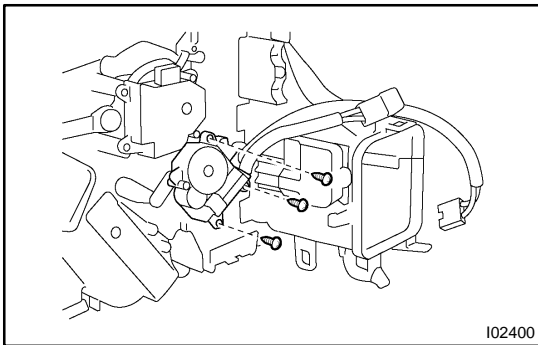
- (a) Remove these parts:
- (1) No.1 under cover
 - (2) No.1 safety pad (See page [BO-93](#))



- (b) Remove the air mix servomotor.
- (1) Disconnect the connector.
 - (2) Remove the 3 screws and servomotor.

3. REMOVE AIR MIX SERVOMOTOR (Passenger Side)

- (a) Remove heater radiator (See page [AC-55](#)).

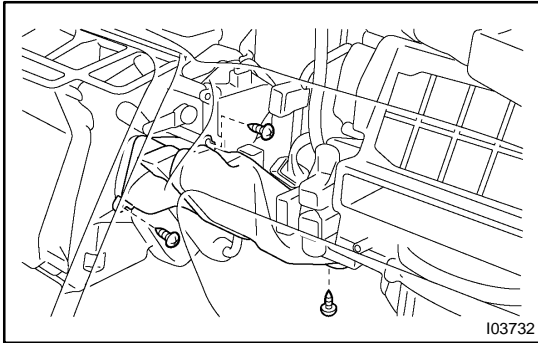


- (b) Remove the air mix servomotor.
- (1) Disconnect the connector.
 - (2) Remove the 3 screws and servomotor.

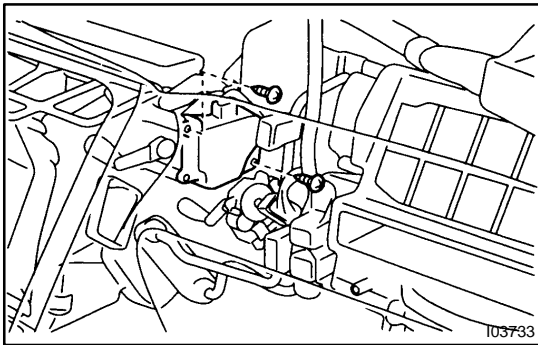
4. REMOVE AIR OUTLET SERVOMOTOR

(a) Remove these parts:

- (1) No. 2 under cover
- (2) Glove compartment door
- (3) Glove compartment panel (See page [BO-93](#))



(b) Remove the air duct.
Remove the 3 screws and air duct.



(c) Remove air outlet servomotor.
(1) Disconnect the connector.
(2) Remove the 2 screws and servomotor.