



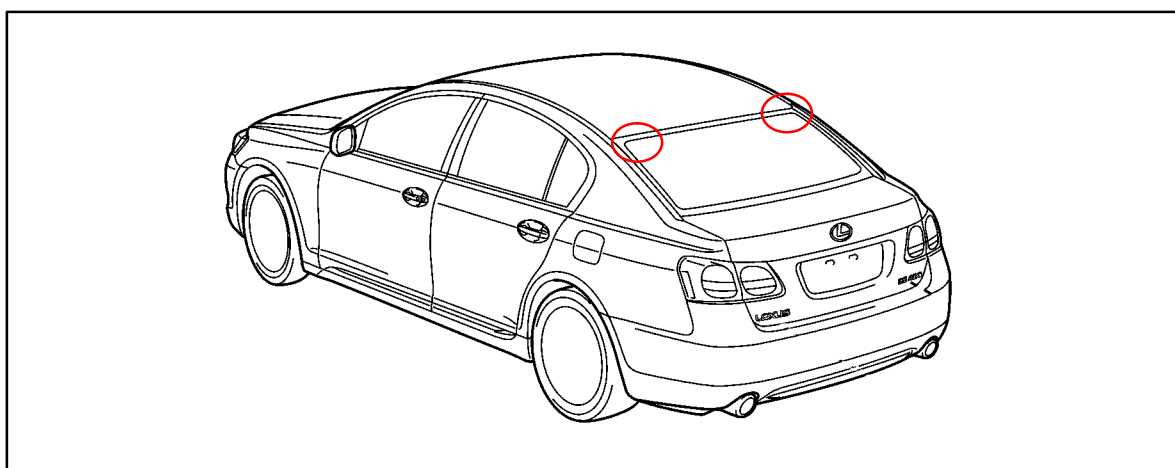
# Technical Service Information Bulletin

September 1, 2005

## Title: **BACK WINDOW GLASS CREAK** Models: **'06 GS 300 & GS 430**

NVH  
NV002-05

**Introduction** Some 2006 model year GS 300 and GS 430 vehicles may experience a creak noise coming from the upper portion of the back window glass. The source of this noise may be the two glass stoppers (locating pins) bonded to the top of the glass, rubbing against the body. A production countermeasure has been implemented beginning with VIN numbers listed below. Vehicles prior to the countermeasure VIN can be corrected by removal of a portion of each stopper.



### Applicable Vehicles

- **2006** model year **GS 300** and **GS 430** vehicles produced **BEFORE** the Production Change Effective VINs shown below.

### Production Change Information

MODEL	DRIVETRAIN	PRODUCTION CHANGE EFFECTIVE VIN
GS 300	2WD	JTHBH96S#65010856
	AWD	JTHCH96S#60005772
GS 430		JTHBN96S#65004536

### Warranty Information

OP CODE	DESCRIPTION	TIME	OFP	T1	T2
743201	R & R Roof Headliner Assembly	1.7	56115-30120	91	13
Combo Z	Remove Pins	0.2			

### Applicable Warranty\*:

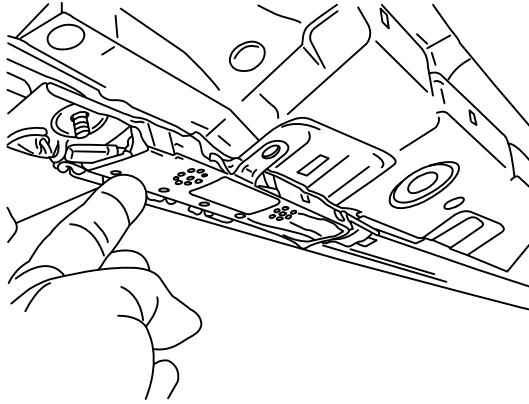
This repair is covered under the Lexus Comprehensive Warranty. This warranty is in effect for 48 months or 50,000 miles, whichever occurs first, from the vehicle's in-service date.

\* Warranty application is limited to correction of a problem based upon a customer's specific complaint.

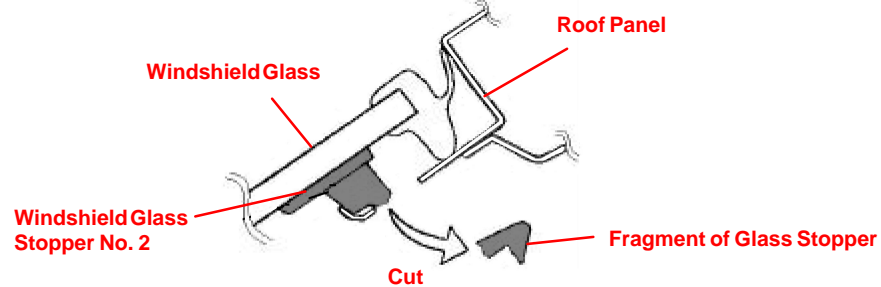
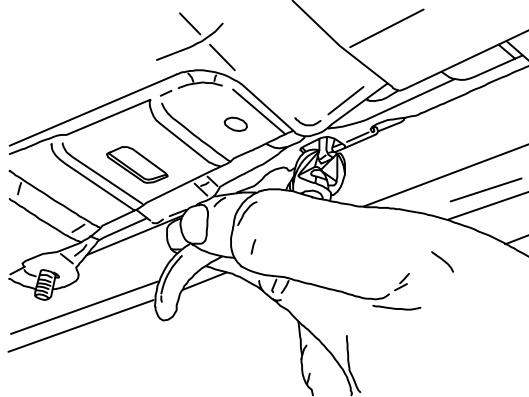


**Repair Procedure**

1. Remove the roof headlining assembly to gain access to the back window glass stopper. For proper removal procedures, refer to the Technical Information System (TIS), 2006 model year GS 300 or GS 430 Repair Manual: *Interior: Headlining: Removal*.
2. Remove the two 10 mm nuts attaching the antenna amplifier to the body. Move the amplifier to the side to gain access to the RH upper clip. (Refer to Figure 1.)

**Figure 1**

3. Cut off the tip of the back window glass stopper, located at each upper corner of the rear glass. (Refer to Figures 2 and 3.)

**Figure 2****Figure 3**

4. Reassemble the headliner in reverse order. For proper installation procedures, refer to TIS, 2006 model year GS 300 or GS 430 Repair Manual: *Interior: Headlining: Installation*.