

Last Modified: 2-20-2009	5.7 A	From: 200709
Model Year: 2008	Model: GS350	Doc ID: RM000000WR7005X
Title: INTERIOR: ROOF HEADLINING: REMOVAL (2008 GS350 GS460)		

REMOVAL

HINT:

- The installation procedures are the removal procedures in reverse order. However, only installation procedures requiring additional information are included.
- A bolt without a torque specification is shown in the standard bolt chart.

1. DISCONNECT CABLE FROM NEGATIVE BATTERY TERMINAL

CAUTION:

Wait at least 90 seconds after disconnecting the cable from the negative (-) battery terminal to prevent airbag and seat belt pretensioner activation.

2. DISCONNECT FRONT SEAT OUTER BELT ASSEMBLY

Remove the front seat outer belt assembly. [INFO](#)

3. REMOVE FRONT SEAT ASSEMBLY

Remove the front seat assembly. [INFO](#)

4. REMOVE REAR SEAT CUSHION ASSEMBLY

Remove the rear seat cushion assembly. [INFO](#)

5. REMOVE REAR SEAT HEADREST ASSEMBLY LH

Remove the rear seat headrest assembly. RH [INFO](#)

6. REMOVE REAR SEAT HEADREST ASSEMBLY RH

Remove the rear seat headrest assembly. [INFO](#)

7. REMOVE REAR SEAT HEADREST ASSEMBLY CENTER

Remove the rear seat headrest assembly center. [INFO](#)

8. REMOVE REAR SEATBACK ASSEMBLY

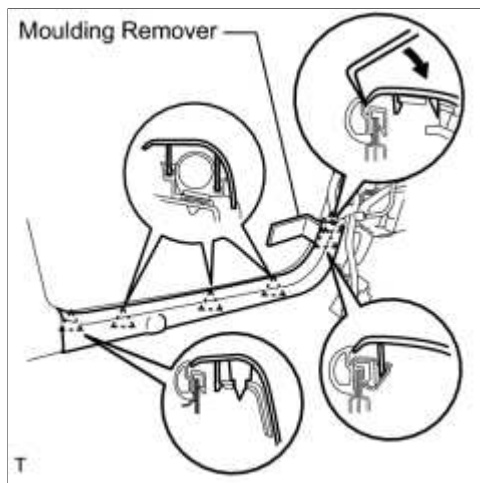
Remove rear seatback assembly. [INFO](#)

9. REMOVE CONSOLE BOX

Remove the console box. [INFO](#)

10. REMOVE FRONT DOOR SCUFF PLATE LH

(a) Using a moulding remover, detach the 5 claws and remove the



scuff plate.

11. REMOVE FRONT DOOR SCUFF PLATE RH

HINT:

Use the same procedures described for the LH side.

12. REMOVE FRONT DOOR OPENING TRIM COVER LH

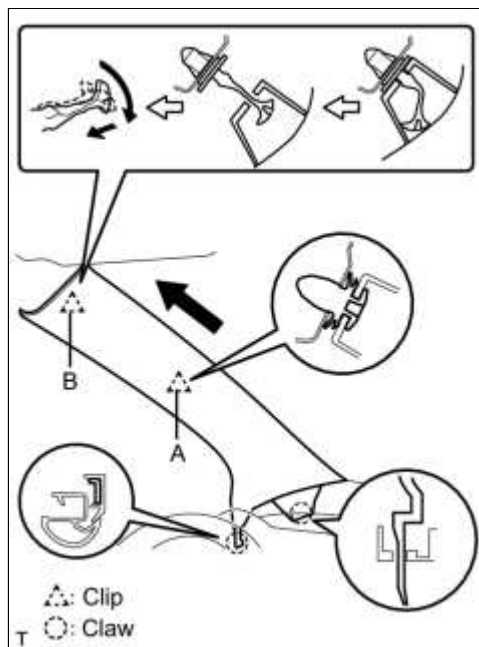
(a) Using a moulding remover, detach the 3 claws and remove the trim cover.

13. REMOVE FRONT DOOR OPENING TRIM COVER RH

HINT:

Use the same procedures described for the LH side.

14. REMOVE FRONT PILLAR GARNISH LH

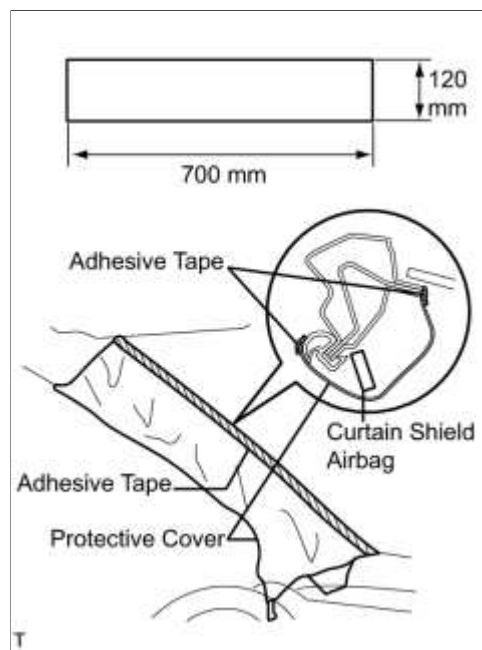


(a) Detach the clip labeled A from the vehicle body. Pull the pillar garnish so that the tip of B locks in the pillar garnish's hole.

(b) Using needle-nose pliers, rotate clip B 90° and remove the pillar garnish.

HINT:

If clip B is removed from the vehicle body or is damaged, replace it with a new one.



(c) Protect the curtain shield airbag.

- (1) Thoroughly cover the airbag with a cloth or nylon sheet that is 700 mm (27.56 in.) x 120 mm (4.72 in.) and fix the ends of the cover with adhesive tape, as shown in the illustration.

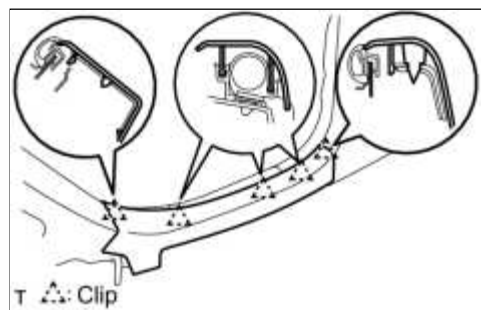
NOTICE:

Cover the curtain shield airbag with a protective cover as soon as the front pillar garnish is removed.

15. REMOVE FRONT PILLAR GARNISH RH

HINT:

Use the same procedures described for the LH side.



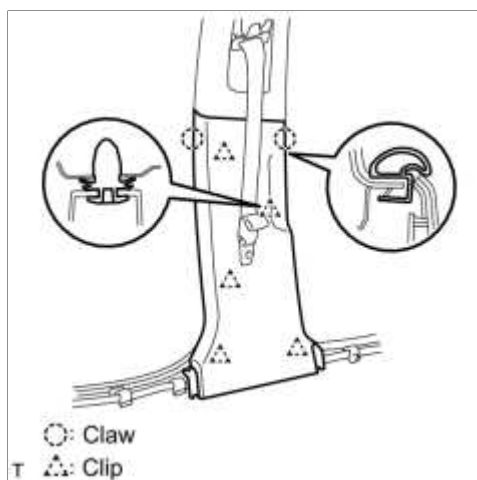
16. REMOVE REAR DOOR SCUFF PLATE LH

- (a) Detach the 5claws and remove the scuff plate.

17. REMOVE REAR DOOR SCUFF PLATE RH

HINT:

Use the same procedures described for the LH side.



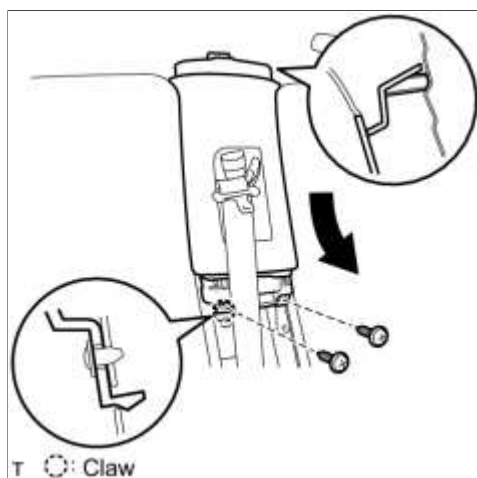
18. REMOVE CENTER PILLAR GARNISH LOWER LH

- (a) Detach the 2 claws and 5 clips, and remove the garnish.

19. REMOVE CENTER PILLAR GARNISH LOWER RH

HINT:

Use the same procedures described for the LH side.



20. REMOVE CENTER PILLAR GARNISH LH

- (a) Remove the 2 screws.
- (b) Pull the garnish in the direction indicated by the arrow in the illustration to detach the claw. Then remove the garnish.

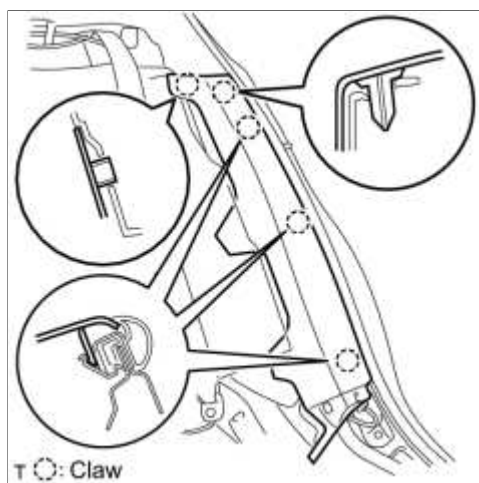
21. REMOVE CENTER PILLAR GARNISH RH

HINT:

Use the same procedures described for the LH side.

22. REMOVE REAR SEAT SIDE GARNISH LH

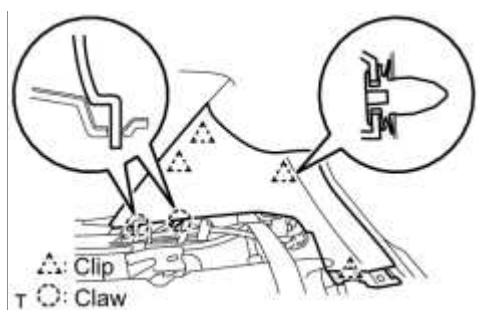
- (a) Using a moulding remover, pull the garnish in the direction indicated by the arrow in the illustration to detach the 5claws. Then remove the garnish.



23. REMOVE REAR SEAT SIDE GARNISH RH

HINT:

Use the same procedures described for the LH side.



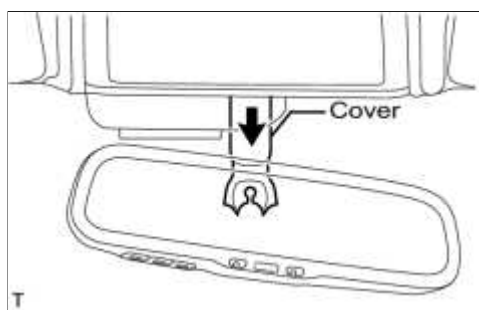
24. REMOVE ROOF SIDE GARNISH INNER LH

- Detach the 4 clips.
- Pull the garnish in the direction indicated by the arrow in the illustration to detach the 2 claws. Then remove the garnish.

25. REMOVE ROOF SIDE GARNISH INNER RH

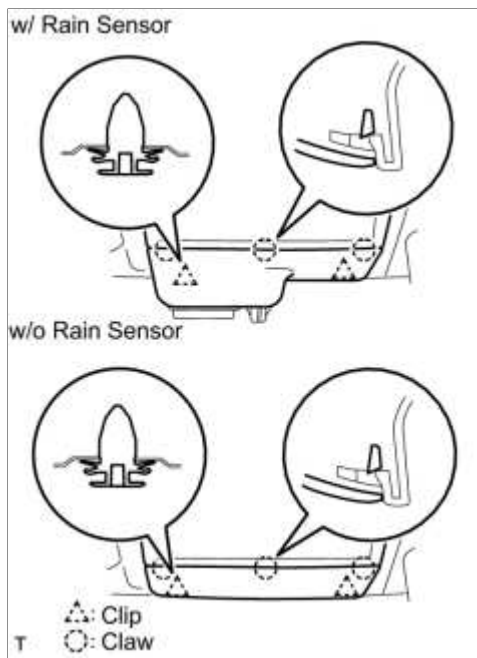
HINT:

Use the same procedures described for the LH side.



26. REMOVE REAR VIEW MIRROR COVER INNER

- Pull the cover in the direction indicated by the arrow in the illustration. Then remove the cover.



27. REMOVE FRONT ROOF TOP GARNISH

(a) With rain sensor:

Remove the top garnish.

- (1) Using a screwdriver, detach the 3 claws and 2 clips, and remove the top garnish.

HINT:

Tape the screwdriver tip before use.

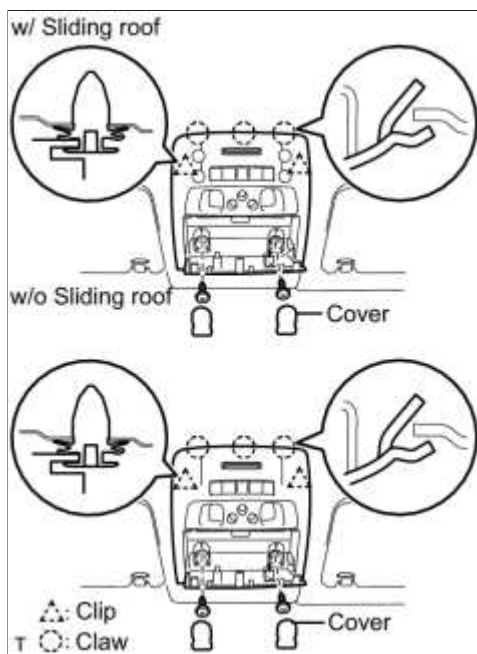
(b) Without rain sensor:

Remove the top garnish.

- (1) Using a screwdriver, detach the 3 claws and 2 clips, and remove the top garnish.

HINT:

Tape the screwdriver tip before use.



28. REMOVE PERSONAL LIGHT ASSEMBLY

(a) Using a screwdriver, remove the 2 covers and 2 screws.

(b) Using a moulding remover, detach the 2 clips and 3 claws.

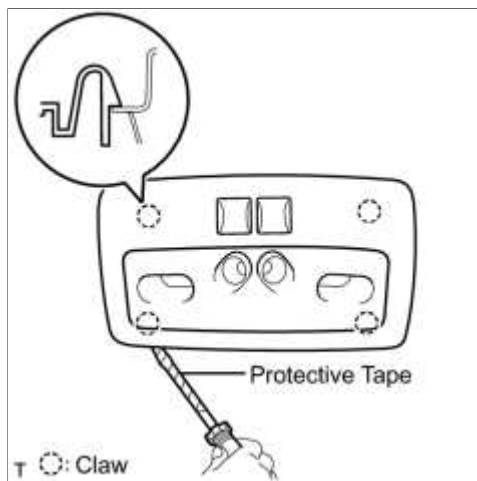
(c) Disconnect the connector and remove the personal light.

29. REMOVE REAR VIEW MIRROR ASSEMBLY INNER

INFO

30. REMOVE REAR ROOM LIGHT ASSEMBLY

(a) Using a screwdriver, detach the 4 claws and remove the rear



room light from the vehicle body.

HINT:

Tape the screwdriver tip before use.

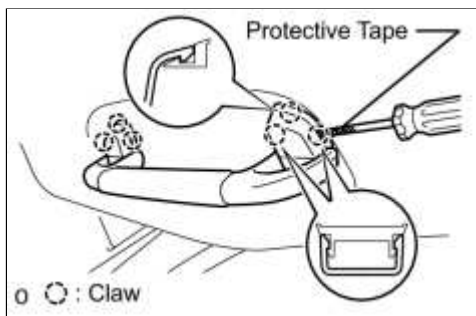
- (b) Disconnect the connector from the room light.

31. REMOVE STEERING SPOTLIGHT ASSEMBLY

- (a) Using a moulding remover, detach the 2 claws and remove the spotlight.
 (b) Disconnect the connector.

32. REMOVE ASSIST GRIP ASSEMBLY

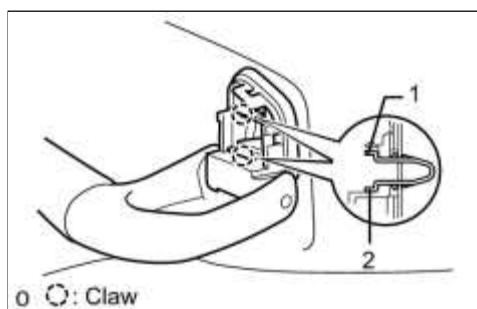
- (a) Without Sliding roof:
 Remove the assist grip.



- (1) Using a screwdriver, detach the 6 claws and remove the 2 assist grip covers.

HINT:

Tape the screwdriver tip before use.

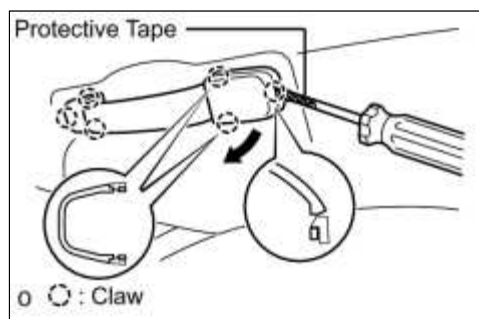


- (2) Detach the 2 claws in the order shown in the illustration.

HINT:

Repeat for the other side and remove the assist grip.

(b) With sliding roof:

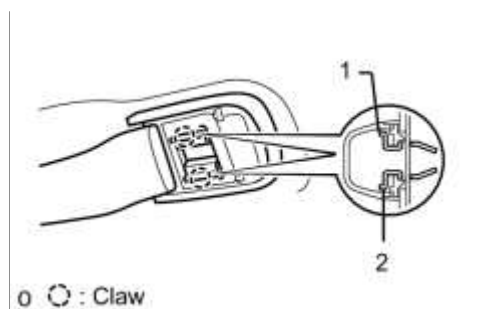


Remove the assist grip.

(1) Using a screwdriver, detach the 6 claws and remove the 2 assist grip covers.

HINT:

Tape the screwdriver tip before use.

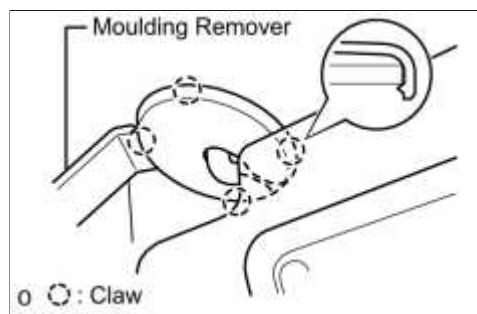


(2) Detach the 2 claws in the order shown in the illustration.

HINT:

Repeat for the other side and remove the assist grip.

33. REMOVE VISOR BRACKET COVER



(a) Using a moulding remover, detach the 4 claws and remove the cover.

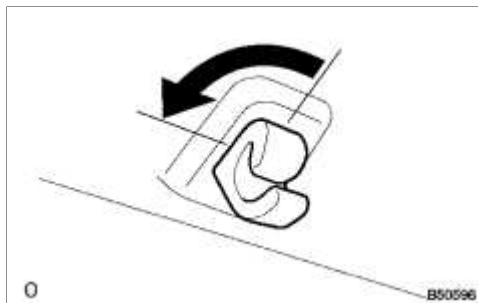
34. REMOVE VISOR ASSEMBLY LH

(a) Remove the 2 screws and visor.

35. REMOVE VISOR ASSEMBLY RH

(a) Remove the 2 screws and visor.

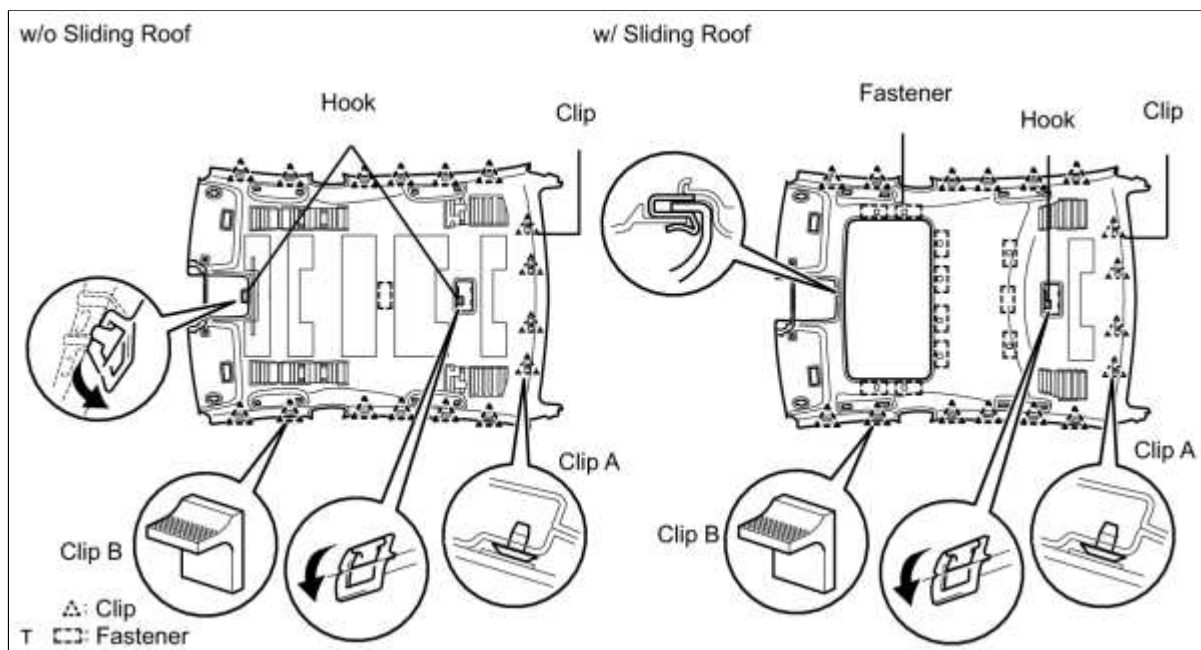
36. REMOVE VISOR HOLDER



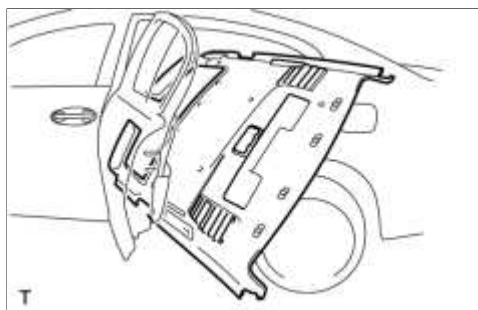
(a) Remove the visor holder by turning it counterclockwise.

37. REMOVE ROOF HEADLINING ASSEMBLY

- (a) Disconnect the roof wire and connector from the front pillar.
- (b) Detach the 4 clips labeled A and 12 clips labeled B.
- (c) Without sliding roof:
 - (1) Detach the 2 hooks and fastener from the vehicle body side.
- (d) With sliding roof:
 - (1) Detach the hook and claw from the vehicle body side.
 - (2) Disconnect the connector from the drive gear.
 - (3) Detach the 4 clips labeled A and 12 clips labeled B, and 11 fasteners.



(e) Remove the roof headlining from the vehicle through the rear door, as shown in the illustration.



(f) Only when replacing the roof headlining:

- (1) Remove the 11 fasteners from the roof headlining.

38. REMOVE VANITY LIGHT ASSEMBLY

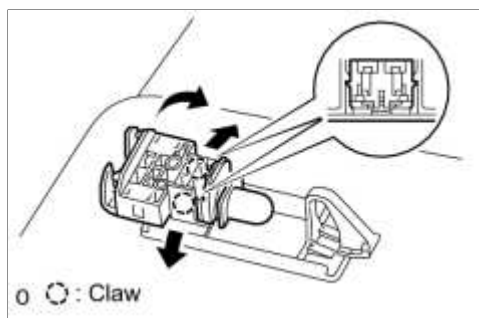
(a) Using a screwdriver, detach the claws.

HINT:

Tape the screwdriver tip before use.

(b) Spread apart the detached claws and remove the bulb holder from the vanity light.

(c) Only when replacing the roof headlining:



- (1) Detach the claw and remove the vanity light assembly.

39. REMOVE ROOF NO.1 WIRE

(a) Only when replacing the roof headlining:

- (1) Remove the double-sided tape and roof wire.

