

|  |                     |                                |
|--|---------------------|--------------------------------|
| <b>Last Modified:</b> 2-28-2012  | 6.4 A               | <b>From:</b> 200607            |
| <b>Model Year:</b> 2007  | <b>Model:</b> GS350 | <b>Doc ID:</b> RM000000XYZ004X |
| <b>Title:</b> INTERIOR: REAR SUNSHADE ASSEMBLY: REMOVAL (2007 GS350 GS430) |                     |                                |

## REMOVAL

### 1. DISCONNECT CABLE FROM NEGATIVE BATTERY TERMINAL

#### **CAUTION:**

**Wait at least 90 seconds after disconnecting the cable from the negative (-) battery terminal to prevent airbag and seat belt pretensioner activation.**

### 2. REMOVE REAR SEAT CUSHION ASSEMBLY

Remove the rear seat cushion assembly. [INFO](#)

### 3. REMOVE REAR SEAT HEADREST ASSEMBLY LH

Remove rear seat headrest assembly. [INFO](#)

### 4. REMOVE REAR SEAT HEADREST ASSEMBLY RH

Remove the rear seat headrest assembly. [INFO](#)

### 5. REMOVE REAR SEAT HEADREST ASSEMBLY CENTER

Remove rear seat headrest assembly. [INFO](#)

### 6. REMOVE REAR SEATBACK ASSEMBLY

Remove the rear seatback assembly. [INFO](#)

### 7. REMOVE REAR DOOR SCUFF PLATE LH

Remove the rear door scuff plate LH. [INFO](#)

### 8. REMOVE REAR DOOR SCUFF PLATE RH

Remove the rear door scuff plate RH. [INFO](#)

### 9. REMOVE REAR SEAT SIDE GARNISH LH

Remove rear seat side garnish LH. [INFO](#)

### 10. REMOVE REAR SEAT SIDE GARNISH RH

Remove the rear seat side garnish. [INFO](#)

### 11. REMOVE ROOF SIDE GARNISH INNER LH

Remove roof side garnish inner LH. [INFO](#)

### 12. REMOVE ROOF SIDE GARNISH INNER RH

Remove the roof side garnish inner RH. [INFO](#)

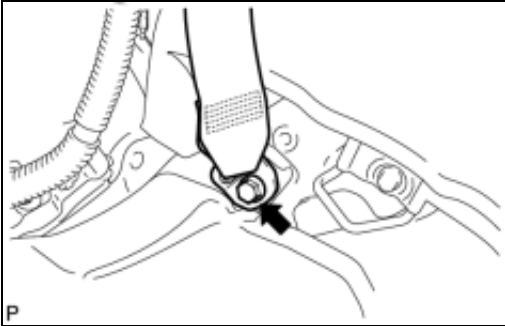
### 13. REMOVE HIGH MOUNTED STOP LIGHT ASSEMBLY

(a) Remove the high mounted stop light.

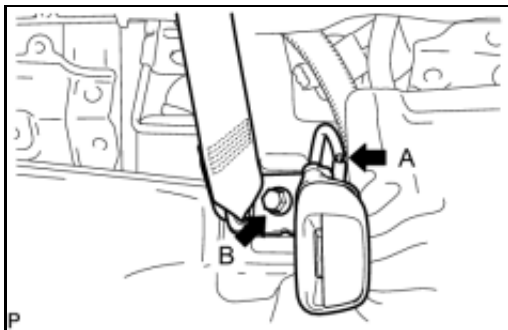
#### 14. REMOVE AUTOMATIC LIGHT CONTROL SENSOR

(a) Disconnect the connector, and remove the sensor.

#### 15. REMOVE PACKAGE TRAY TRIM PANEL ASSEMBLY

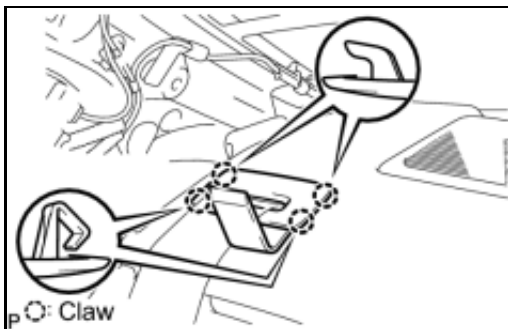


(a) Remove the bolt and anchor of the rear seat outer belt.



(b) Disconnect the connector labeled A.

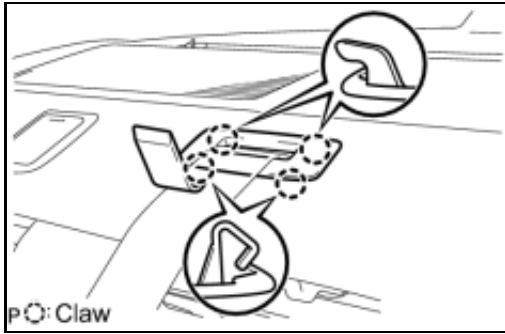
(c) Remove the bolt and seat belt labeled B.



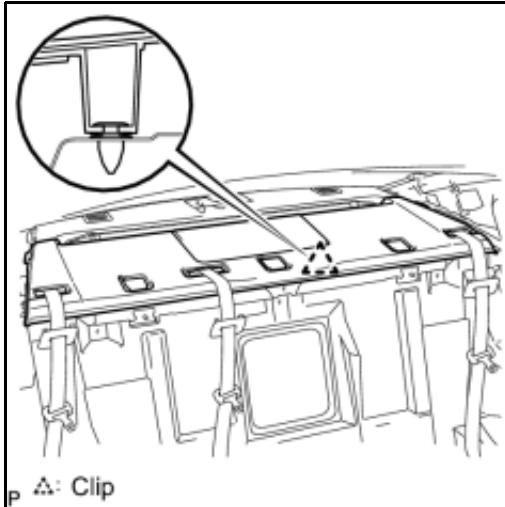
(d) Using a moulding remover, detach the 4 claws and remove belt guide LH.

**HINT:**

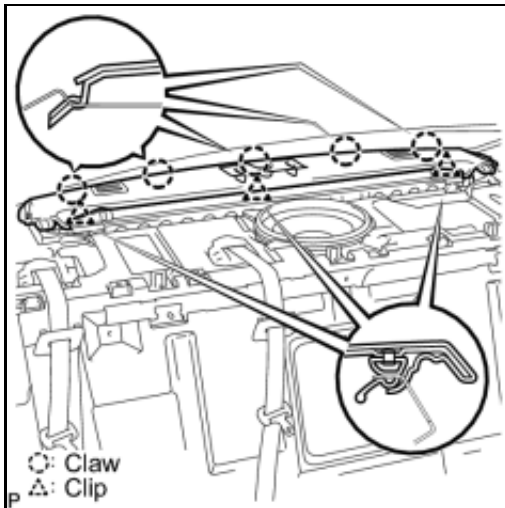
**Use the same procedure described for the LH side.**



- (e) Using a moulding remover, detach the 4 claws and remove the belt guide center.



- (f) Detach the clip and remove the panel.

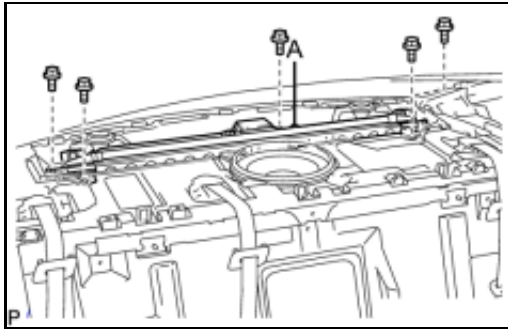


## 16. REMOVE NO.2 PACKAGE TRAY TRIM PANEL ASSEMBLY

- (a) Detach the 5 claws and 3 clips.  
 (b) Disconnect the connector and remove the panel.

## 17. REMOVE REAR WINDOW SHADE ASSEMBLY

- (a) Remove the 5 bolts.



(b) Loosen the bolt labeled A, and remove the window shade.

**NOTICE:**

**Do not remove the bolt A.**

**18. REMOVE REAR SUNSHADE RELAY**

(a) Using a screwdriver, detach the claw and remove the relay cover.

**HINT:**

**Tape the screwdriver tip before use.**

(b) Remove the 2 screws.

(c) Disconnect the connector and remove the relay.

