

Last Modified: 11-16-2015	6.6 L	Doc ID: RM000000TCP007X
Model Year Start: 2007	Model: GS350	Prod Date Range: [07/2006 -]
Title: INSTRUMENT PANEL: INSTRUMENT PANEL SAFETY PAD: PRECAUTION; 2007 MY GS350 GS430 [07/2006 -]		

PRECAUTION

1. PRECAUTION FOR VEHICLE WITH SRS AIRBAG AND SEAT BELT PRETENSIONER

(a) Some operations in this section may affect the SRS airbags. Prior to performing the corresponding operations, read the SRS airbag NOTICE.

NOTICE FOR INITIALIZATION:

When disconnecting the negative (-) battery terminal, initialize the following systems after the terminal is reconnected.

SYSTEM NAME	SEE PROCEDURE
Power Window Control System	INFO
Intuitive Parking Assist System	
Variable Gear Ratio Steering System	



REMOVAL

1. 1. DISCONNECT CABLE FROM NEGATIVE BATTERY TERMINAL

CAUTION:

Wait at least 90 seconds after disconnecting the cable from the negative (-) battery terminal to prevent airbag and seat belt pretensioner activation.

2. REMOVE FRONT CONSOLE UPPER PANEL GARNISH [INFO](#)
3. REMOVE FRONT CONSOLE UPPER PANEL ASSEMBLY [INFO](#)
4. REMOVE INSTRUMENT PANEL FINISH PANEL END LH [INFO](#)
5. REMOVE FRONT DOOR SCUFF PLATE LH [INFO](#)
6. REMOVE FRONT DOOR OPENING TRIM COVER LH [INFO](#)
7. REMOVE INSTRUMENT SIDE PANEL LH [INFO](#)
8. REMOVE NO. 1 INSTRUMENT PANEL SAFETY PAD SUB-ASSEMBLY [INFO](#)
9. REMOVE DRIVER SIDE KNEE AIRBAG ASSEMBLY [INFO](#)
10. REMOVE NO. 1 INSTRUMENT PANEL UNDER COVER SUB-ASSEMBLY [INFO](#)

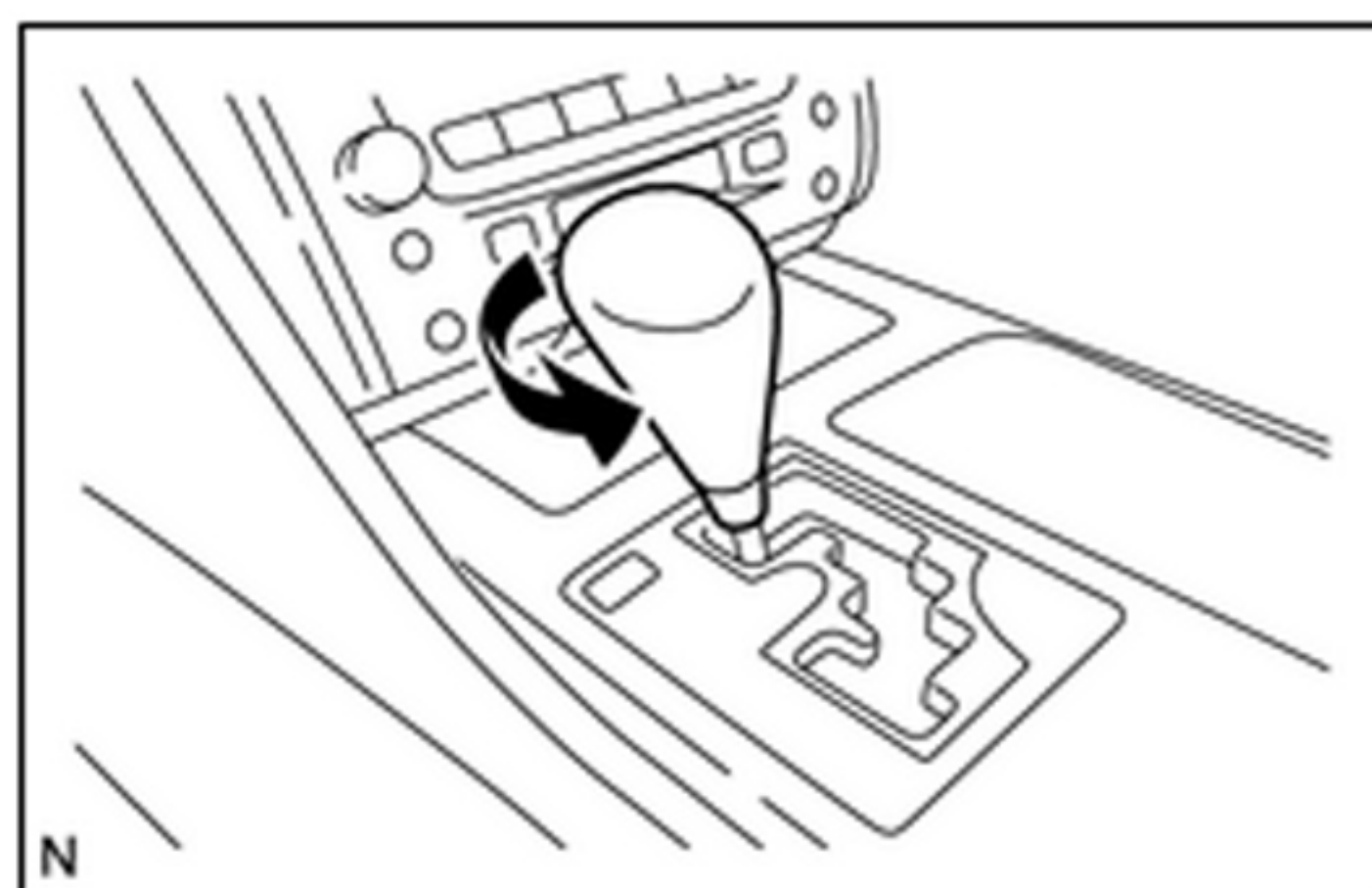
2. REMOVE FRONT CONSOLE UPPER PANEL GARNISH

(a) Using a clip remover, detach the claws and remove the garnish.

HINT:

Tape the clip remover tip before use.

3. REMOVE CONSOLE UPPER PANEL ASSEMBLY

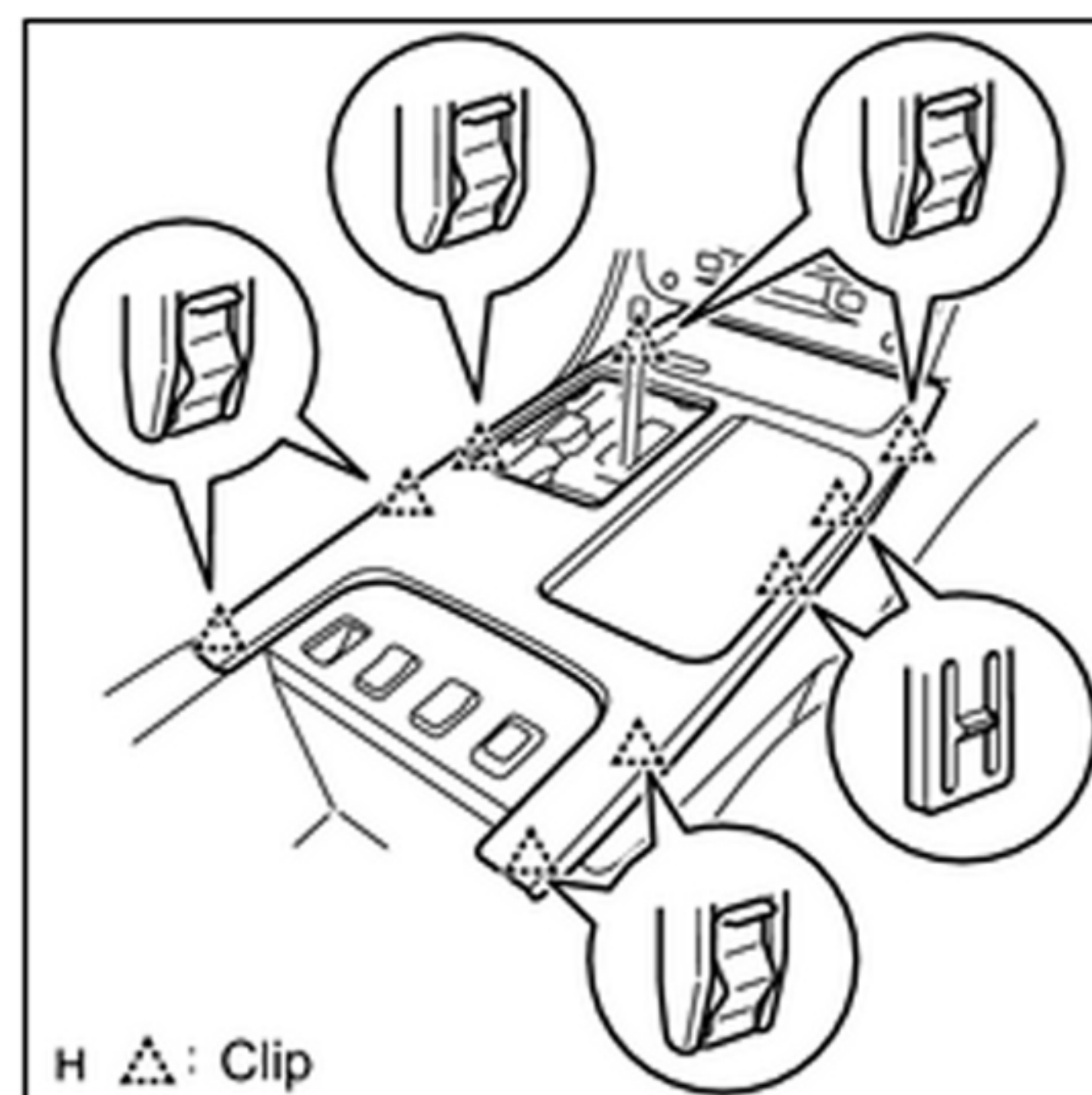


(a) Twist the shift lever knob in the direction indicated by the arrow and remove it.

(b) Using a screwdriver, detach the 9 clips.

HINT:

Tape the screwdriver tip before use.



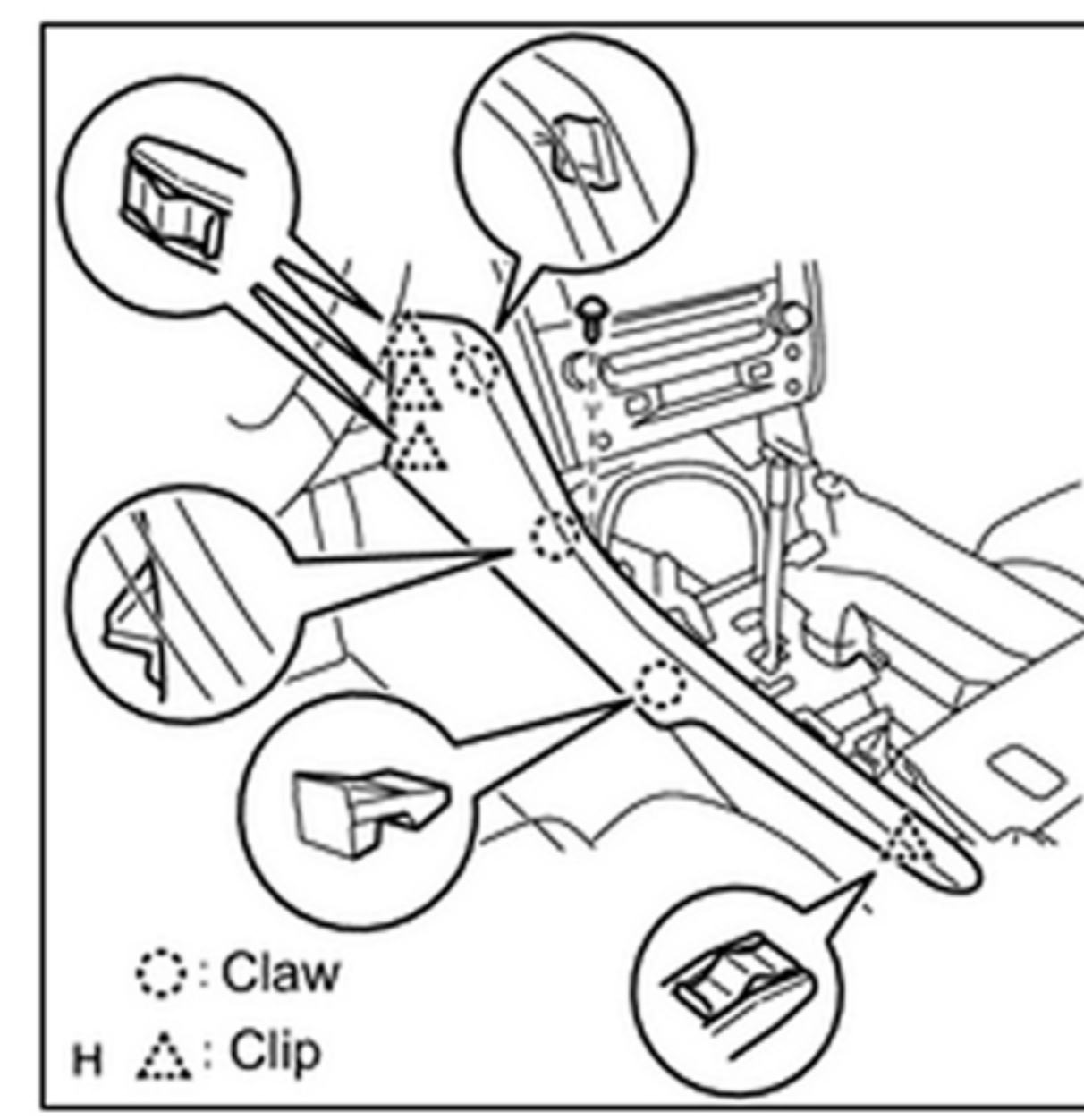
4. REMOVE INSTRUMENT PANEL FINISH PANEL END LH

- (a) Remove the screw.
- (b) Using a screwdriver, detach the 4 clips and 3 claws.

HINT:

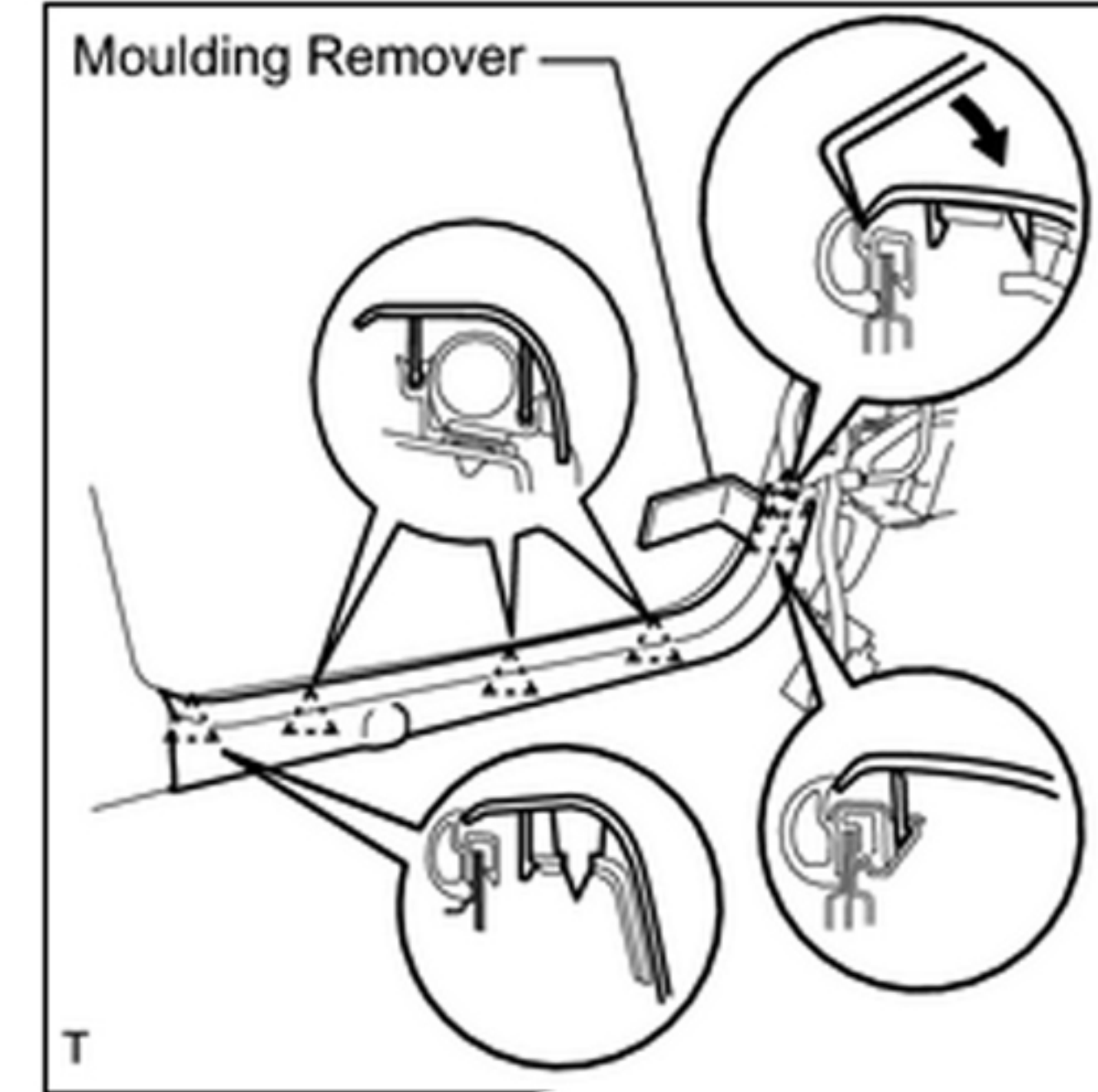
Tape the screwdriver tip before use.

- (c) Remove the finish panel end.



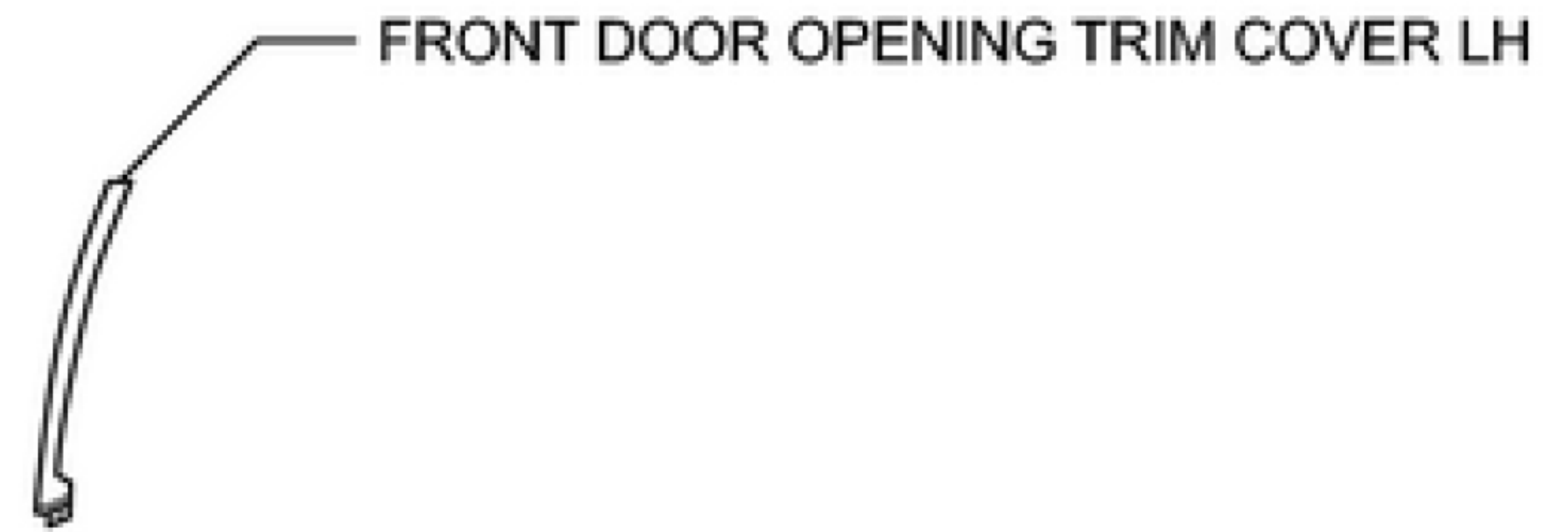
5. REMOVE FRONT DOOR SCUFF PLATE LH

- (a) Using a moulding remover, detach the 5 claws and remove the scuff plate.



6. REMOVE FRONT DOOR OPENING TRIM COVER LH

- (a) Using a moulding remover, detach the 3 claws and remove the trim cover.

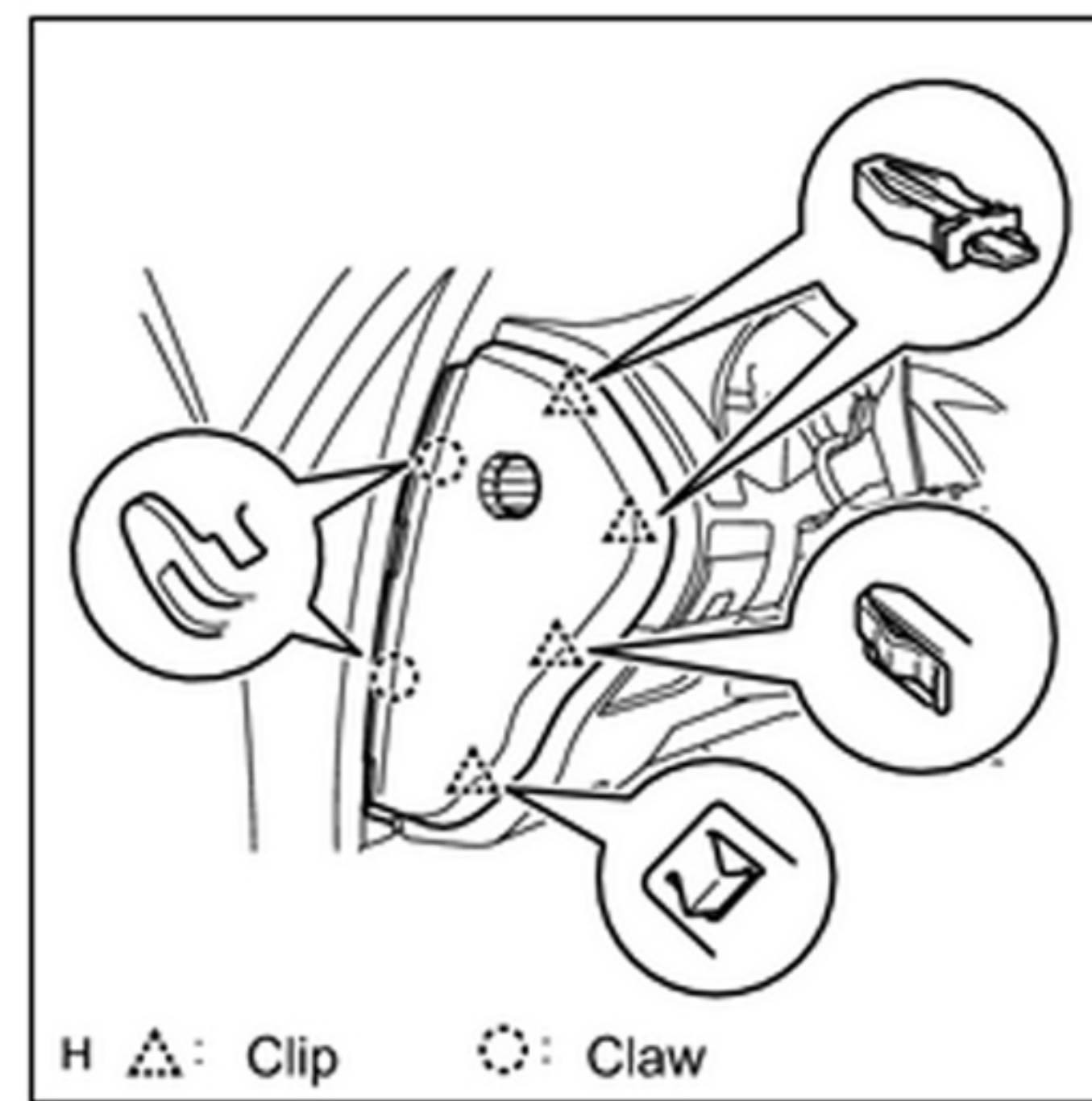


7. REMOVE INSTRUMENT SIDE PANEL LH

- (a) Using a screwdriver, detach the 2 claws and 4 clips, and remove the side panel.

HINT:

Tape the screwdriver tip before use.



8. REMOVE INSTRUMENT PANEL NO. 1 UNDER COVER SUB-ASSEMBLY

- (a) Remove the 2 screws.
- (b) Detach the 3 claws.
- (c) Remove the under cover and then disconnect the connector.



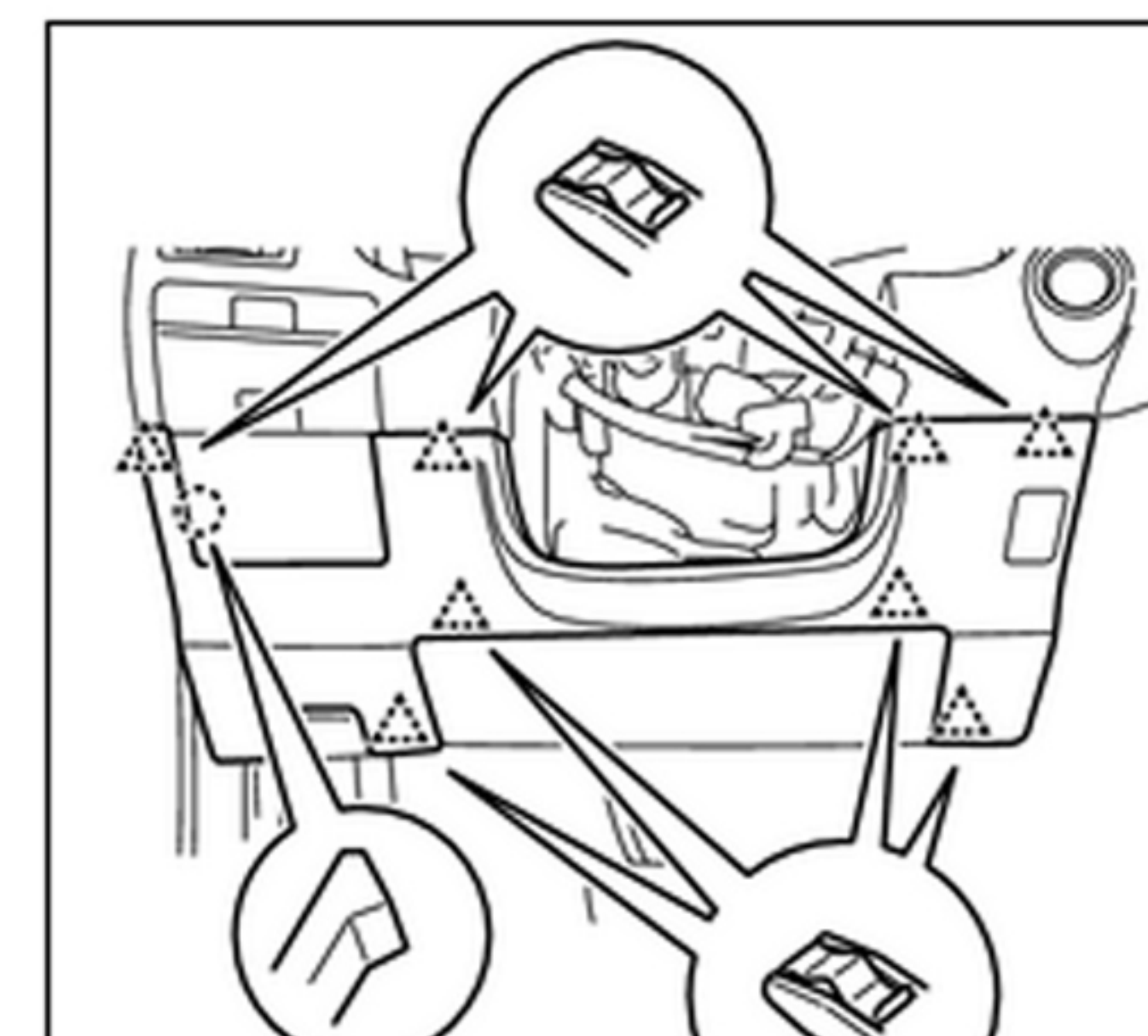
REMOVE INSTRUMENT PANEL NO. 1 SAFETY PAD SUB-ASSEMBLY

- (a) Using a screwdriver, detach the 8 clips and claw.

HINT:

Tape the screwdriver tip before use.

- (b) Remove the hood lock control cable from the safety pad.
- (c) Remove the safety pad.



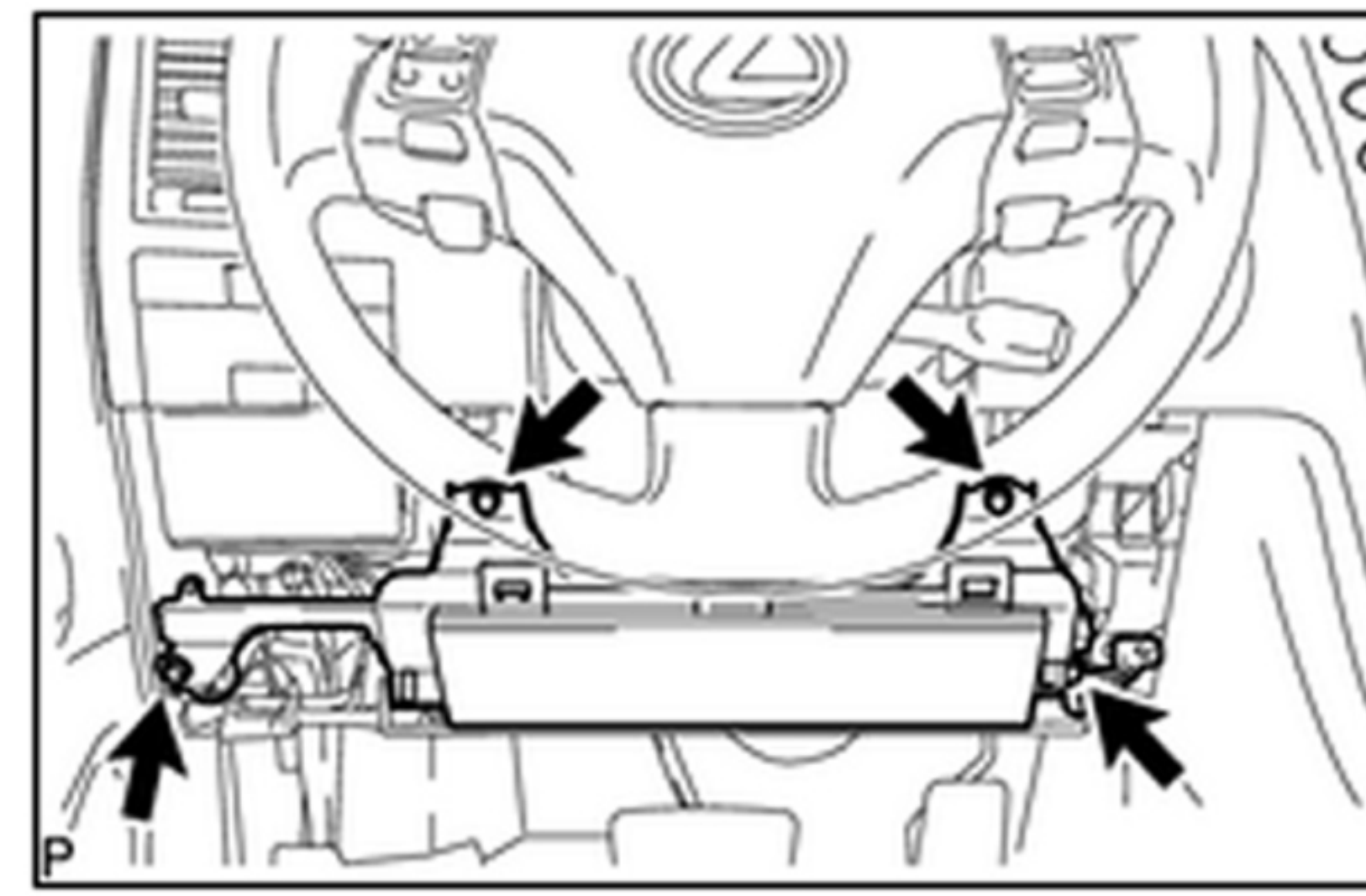
9. REMOVE DRIVER SIDE KNEE AIRBAG ASSEMBLY

(a) Remove the 4 bolts and driver side knee airbag assembly.

(b) Disconnect the connector.

NOTICE:

When handling the airbag connector, take care not to damage the airbag wire harness.



REMOVE NO. 1 INSTRUMENT PANEL UNDER COVER SUB-ASSEMBLY INFO

10. REMOVE ENGINE SWITCH

(a) Disconnect the switch connector.

(b) Detach the 2 claws and remove the switch.

