


Trunk Will Not Open Electrically

Service Category Vehicle Exterior

Section Door/Hatch

Market USA

Lexus Supports
ASE Certification 

Applicability

YEAR(S)	MODEL(S)	ADDITIONAL INFORMATION
2006	GS300	
2007 – 2008	GS350	
2006 – 2007	GS430	
2007 – 2008	GS450H	
2008	GS460	

Introduction

Some customers may experience a condition where the trunk will not open electrically. Diagnostic Trouble Code (DTC) B2216 may also be present. Use the following procedure to address customer concerns.

Production Change Information

This TSIB applies to vehicles produced **BEFORE** the Production Change Effective VINs shown below, and to all 2006 GS 300 and 2006 – 2007 GS 430 vehicles.

MODEL	DRIVETRAIN	PRODUCTION CHANGE EFFECTIVE VIN
GS 350	2WD	JTHBE96S*80041669
	AWD	JTHCE96S*80020905
GS 450h	2WD	JTHBC96S*85016861
GS 460		JTHBL96S*85002830

Warranty Information

OP CODE	DESCRIPTION	TIME	OFF	T1	T2
EL8051	R & R Junction Block Assembly, LH	1.2	82730-30272	9A	71

Trunk Will Not Open Electrically

Warranty Information (Continued)

APPLICABLE WARRANTY

- This repair is covered under the Lexus Comprehensive Warranty. This warranty is in effect for 48 months or 50,000 miles, whichever occurs first, from the vehicle's in-service date.
- Warranty application is limited to correction of a problem based upon a customer's specific complaint.

Parts Information

MODEL	PREVIOUS PART NUMBER	CURRENT PART NUMBER	PART NAME	QTY
GS 300	82730-30272	82730-30273	Block Assembly, Junction, LH	1
GS 350				1
GS 430				1
GS 460				1
GS 450h	82730-30641	82730-30642	Block Assembly, Junction, LH	1

Required Tools & Equipment

REQUIRED EQUIPMENT	SUPPLIER	PART NUMBER	QTY
TIS Techstream* NOTE: Software version 4.00.017 or later is required.	ADE	TSPKG1	1

* Essential SST.

NOTE

Additional TIS Techstream units may be ordered by calling Approved Dealer Equipment (ADE) at 1-800-368-6787.

Trunk Will Not Open Electrically

Repair Procedure

1. Verify that the trunk will NOT open electrically.
 - A. Use TIS Techstream and verify the “Trunk Main SW” is ON (use Body Data List).
 - B. Verify that the trunk will NOT open with the following:
 - Luggage compartment door opener switch
 - Wireless key
 - Smart Access
 - C. Verify that the trunk WILL open with the metal key.
2. Disconnect the 12V battery.
3. Remove the following interior panels using Repair Manual instructions (see Figure 1 for location):
 - Front console upper garnish
 - Front console upper panel assembly
 - Instrument panel finish panel end LH
 - Front door scuff plate LH
 - Instrument side panel LH
 - Instrument panel No. 1 undercover sub-assembly
 - Instrument panel No. 1 safety pad sub-assembly
 - Driver side knee airbag assembly
 - Driver side lower kick panel

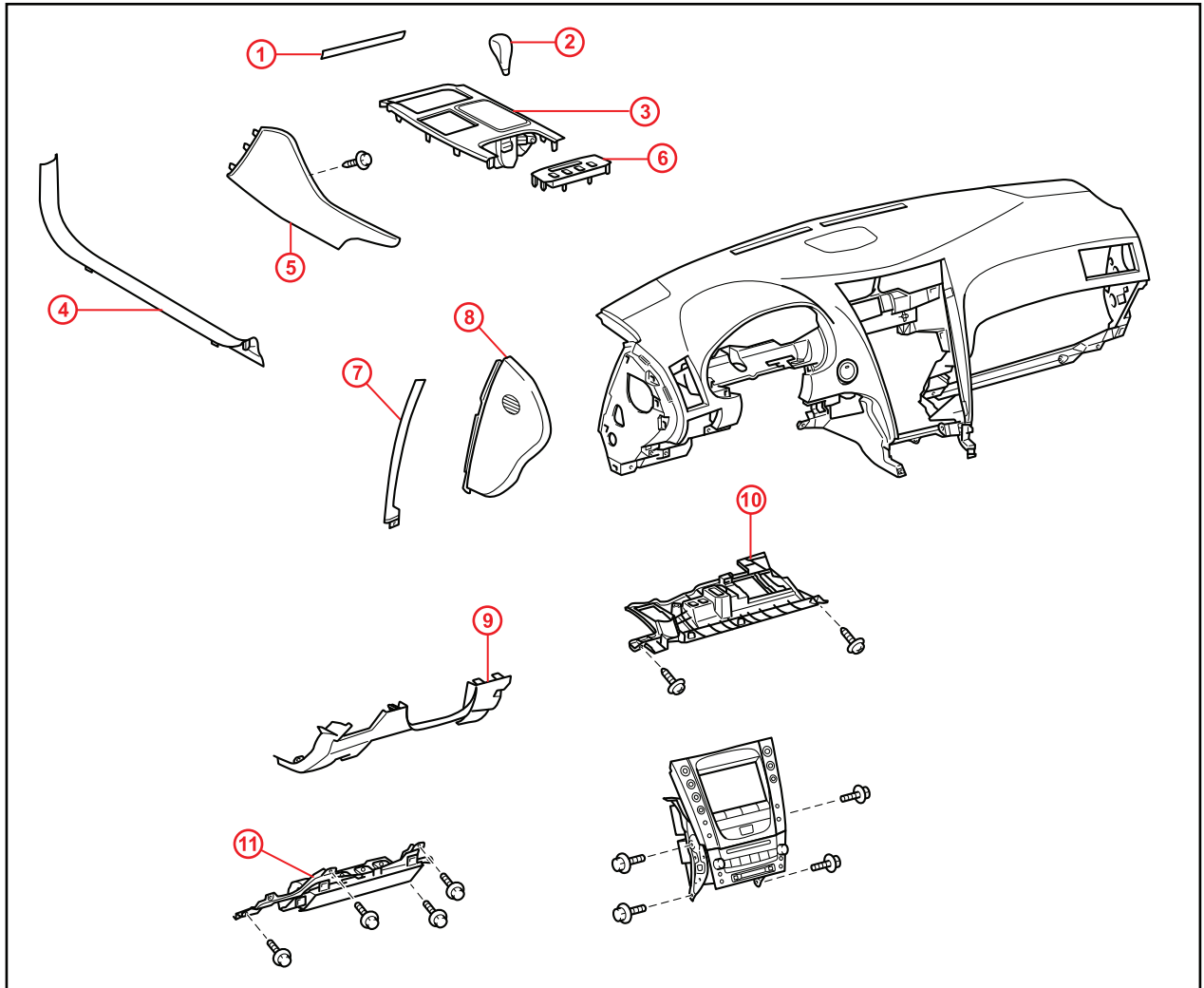
Refer to the Technical Information System (TIS), applicable model and model year Repair Manual, *Vehicle Interior – Interior Panels/Trim – “Instrument Panel: Instrument Panel Safety Pad: Removal”*:

- [2006 GS 300](#)
- [2007 / 2008](#) GS 350
- [2006 / 2007](#) GS 430
- [2007 / 2008](#) GS 450h
- [2008](#) GS 460

Trunk Will Not Open Electrically

Repair Procedure (Continued)

Figure 1. Location of Components



1	Front Console Upper Panel Garnish
2	Shift Lever Knob
3	Console Upper Panel Assembly
4	Front Door Scuff Plate LH
5	Instrument Panel Finish Panel End LH
6	Console Box Plate

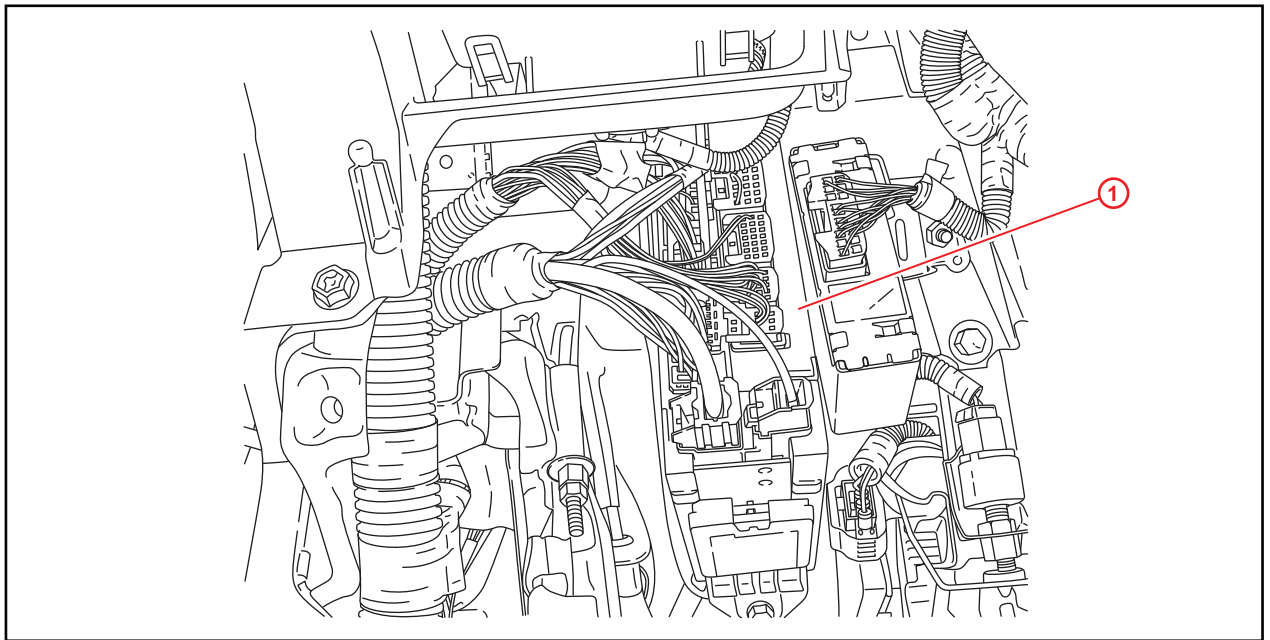
7	Front Door Opening Trim Cover LH (Driver Side Kick Panel)
8	Instrument Side Panel LH
9	Instrument Panel No. 1 Safety Pad Sub-assembly
10	Instrument Panel No. 1 Under Cover Sub-assembly
11	Driver Side Knee Airbag Assembly

Trunk Will Not Open Electrically

Repair Procedure (Continued)

4. Remove the cowl side Junction Block.

Figure 2. Cowl Side Junction Block



1	Junction Block
----------	-----------------------

- A. Disconnect all connectors.
 - B. Remove the 2 nuts holding the cowl side Junction Block.
 - C. Remove the bolt holding the bracket to the cowl side Junction Block.
5. Reinstall the cowl side Junction Block in reverse order.
 6. Reassemble remaining components in reverse order.

Refer to TIS, applicable model and model year Repair Manual, *Vehicle Interior – Interior Panels/Trim – “Instrument Panel: Instrument Panel Safety Pad: Installation”*:

- [2006 GS 300](#)
 - [2007 / 2008](#) GS 350
 - [2006 / 2007](#) GS 430
 - [2007 / 2008](#) GS 450h
 - [2008](#) GS 460
7. Reconnect the 12V battery.

Trunk Will Not Open Electrically

Repair Procedure (Continued)

8. Re-initialize affected electrical systems.

Refer to TSIB No. [L-SB-0041-08](#) (2008 models) / [PD007-07](#) (2007 models) / [PD009-06](#) (2006 models), *"Power System Initialization During PDS"*.

9. Confirm repair and clear any DTCs that may have set.