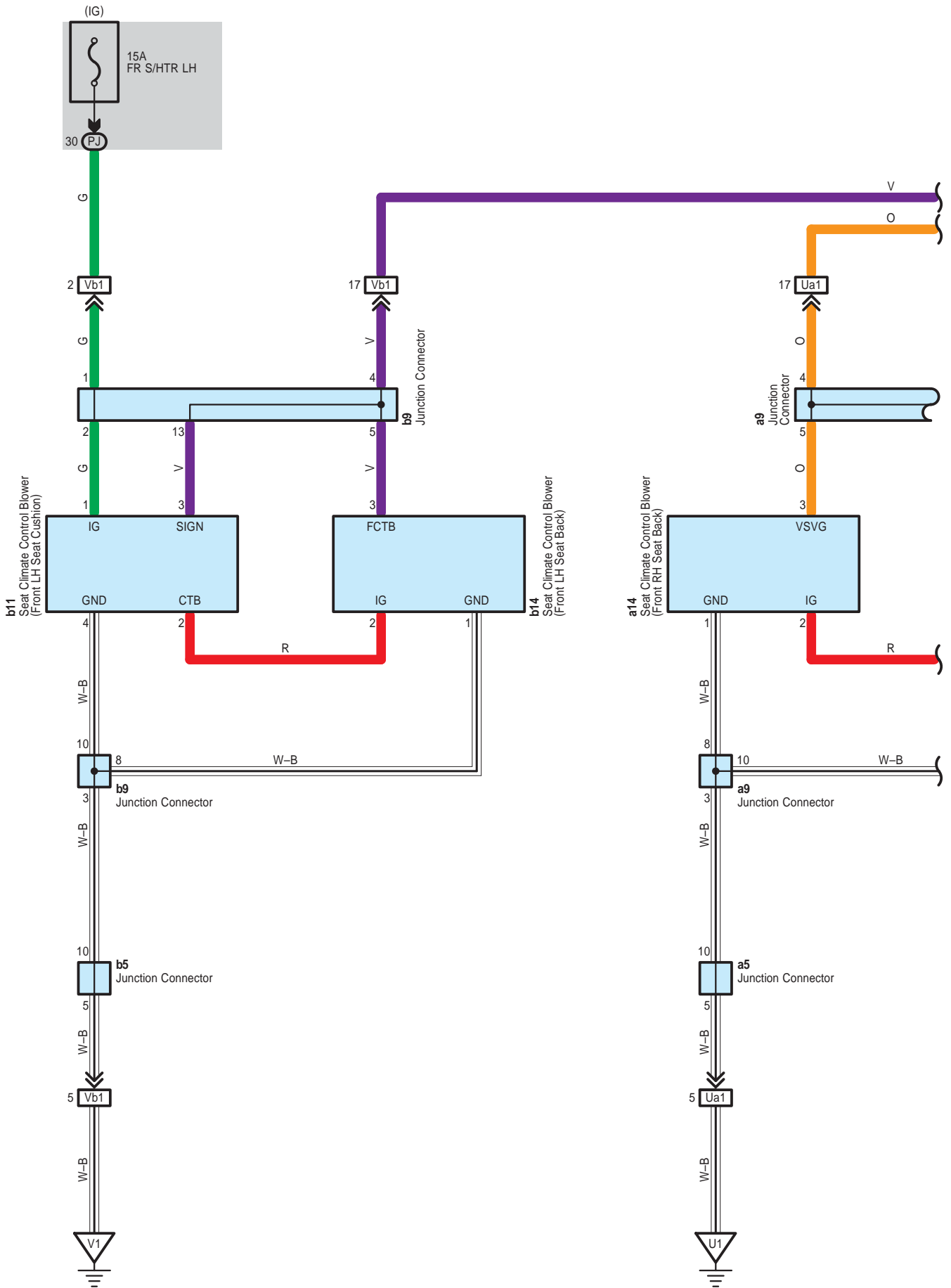
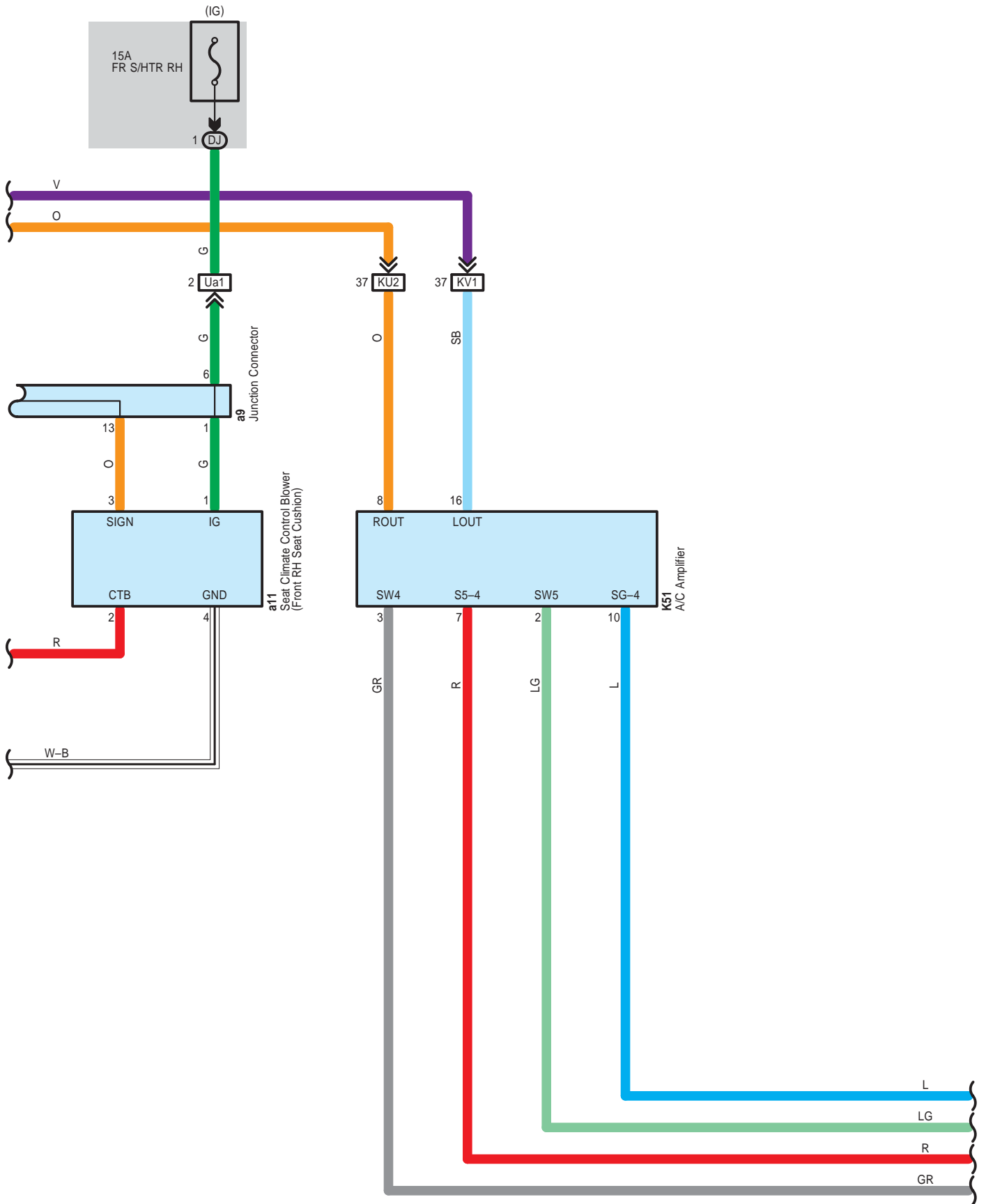
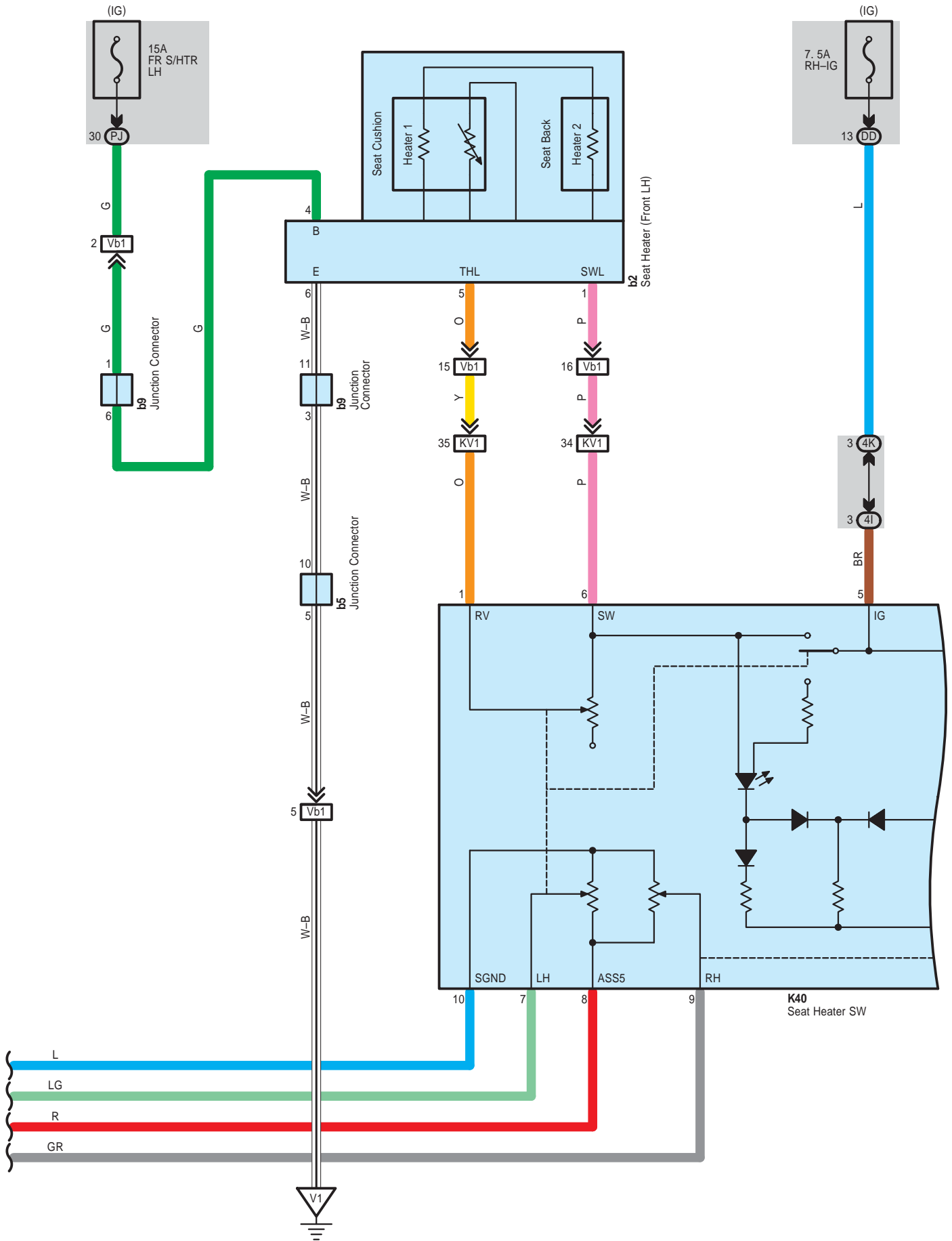


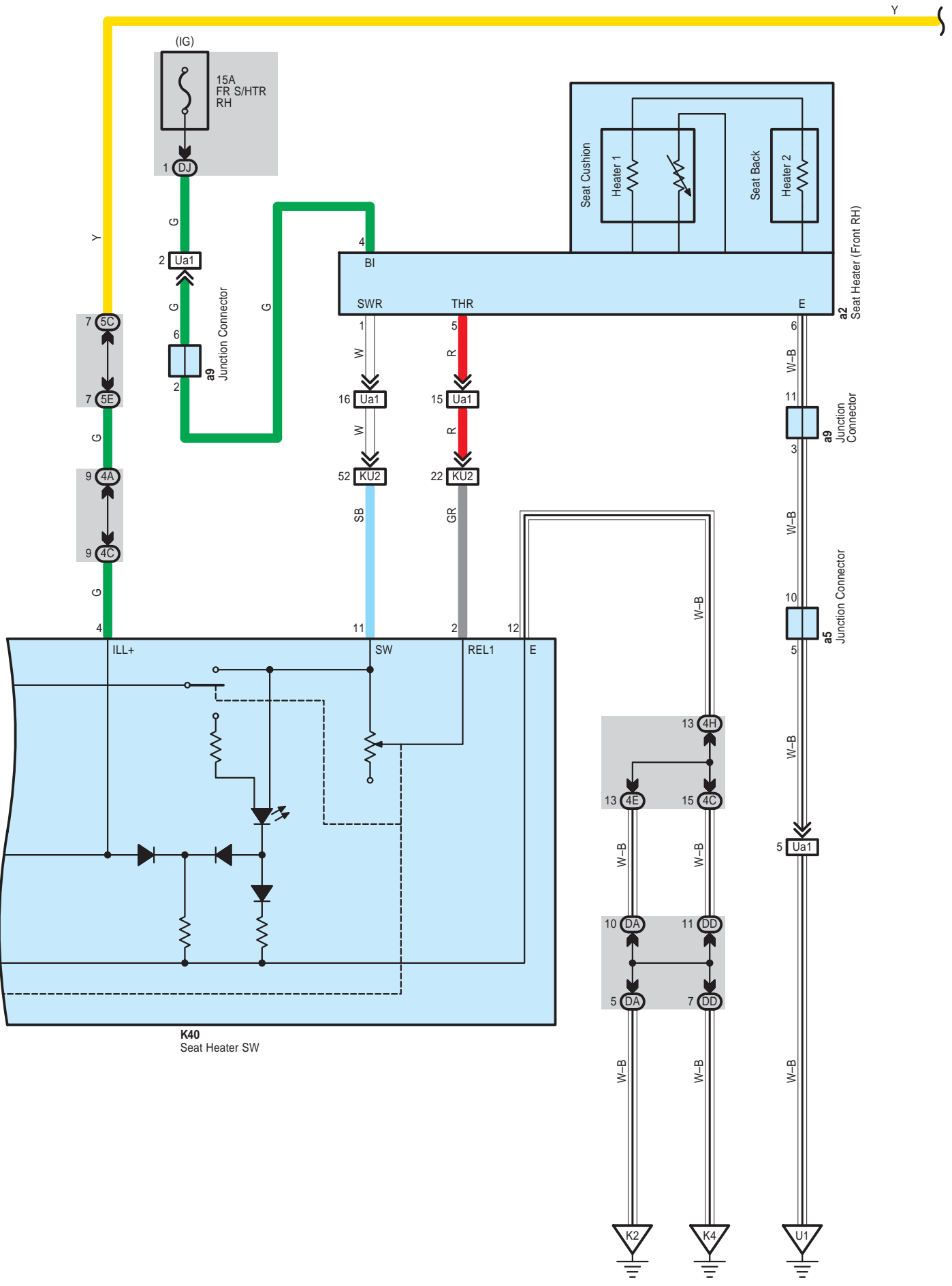
Climate Control Seat



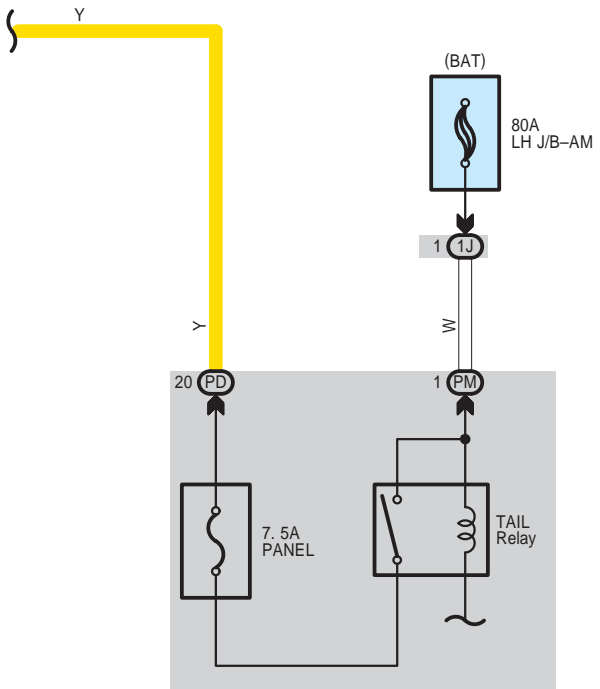


Climate Control Seat





Climate Control Seat



 : **Parts Location**

| Code | See Page | Code | See Page | Code | See Page |
|------|----------|------|----------|------|----------|
| K40 | 79 | a9 | 88 | b5 | 88 |
| K51 | 79 | a11 | 88 | b9 | 88 |
| a2 | 88 | a14 | 88 | b11 | 88 |
| a5 | 88 | b2 | 88 | b14 | 88 |

 : **Junction Block and Wire Harness Connector**

| Code | See Page | Junction Block and Wire Harness (Connector Location) |
|------|----------|---|
| 1J | 23 | Engine Room Main Wire and Engine Room J/B No.1 (Near the Battery) |
| 4A | 52 | Instrument Panel Wire and Center J/B RH (Upper the Glove Box) |
| 4C | | |
| 4E | | |
| 4H | | |
| 4I | | |
| 4K | | |
| 5C | 48 | Instrument Panel Wire and Center J/B LH (Upper the Glove Box) |
| 5E | 43 | Instrument Panel Wire and Cowl Side J/B RH (Cowl Side Right) |
| DA | | |
| DD | 44 | Floor No.1 Wire and Cowl Side J/B RH (Cowl Side Right) |
| DJ | | |
| PD | 37 | Instrument Panel Wire and Cowl Side J/B LH (Cowl Side Left) |
| PJ | 38 | Floor No.2 Wire and Cowl Side J/B LH (Cowl Side Left) |
| PM | 38 | Engine Room Main Wire and Cowl Side J/B LH (Cowl Side Left) |

 : **Connector Joining Wire Harness and Wire Harness**

| Code | See Page | Joining Wire Harness and Wire Harness (Connector Location) |
|------|----------|---|
| KU2 | 92 | Instrument Panel Wire and Floor No.1 Wire (Right Kick Panel) |
| KV1 | 92 | Instrument Panel Wire and Floor No.2 Wire (Left Kick Panel) |
| Ua1 | 94 | Floor No.1 Wire and Front Seat RH Wire (Under the Front Passenger's Seat) |
| Vb1 | 94 | Floor No.2 Wire and Front Seat LH Wire (Under the Driver's Seat) |

 : **Ground Points**

| Code | See Page | Ground Points Location |
|------|----------|----------------------------------|
| K2 | 92 | Left Side of the Shift Lever |
| K4 | 92 | Right Kick Panel |
| U1 | 93 | Under the Front Passenger's Seat |
| V1 | 93 | Under the Driver's Seat |