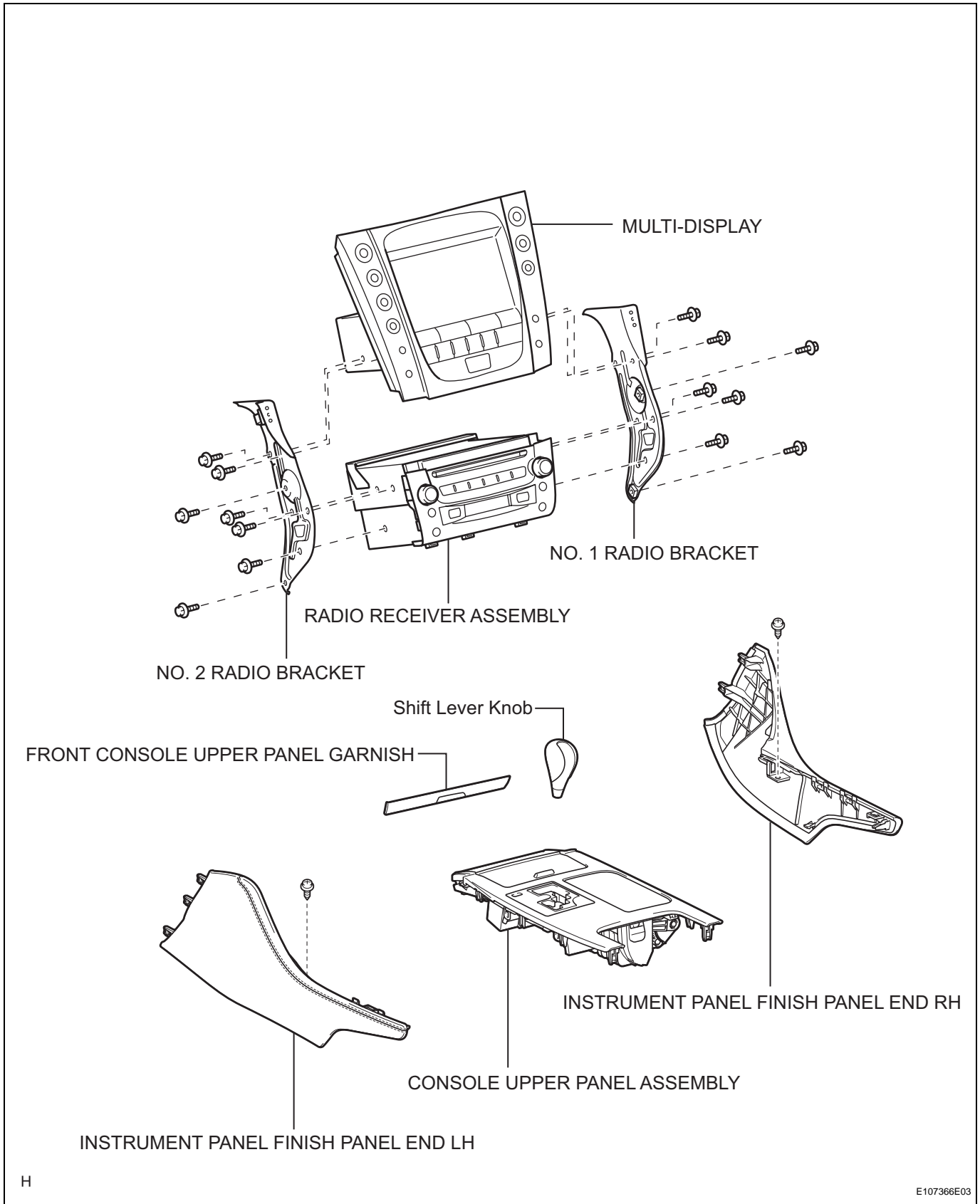


RADIO RECEIVER COMPONENTS



REMOVAL

1. SET RADIO RECEIVER ASSEMBLY TO SHIPMENT MODE

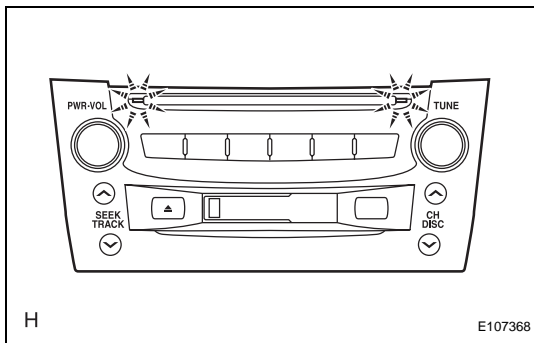
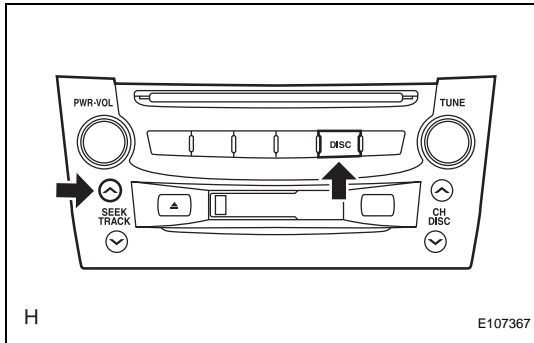
- (a) Remove all discs and tapes.

NOTICE:

If the discs or tapes cannot be removed, do not attempt to remove them forcibly. Send the unit to a repair shop.

- (b) Turn the engine switch off.

- (c) While simultaneously pressing the "SEEK UP" and "DISC" switches, turn the engine switch on (ACC).



HINT:

The CD loading door indicator light blinks during mode setting and it remains lit after the setting is completed.

- (d) Turn the engine switch off.

2. DISCONNECT CABLE FROM NEGATIVE BATTERY TERMINAL

CAUTION:

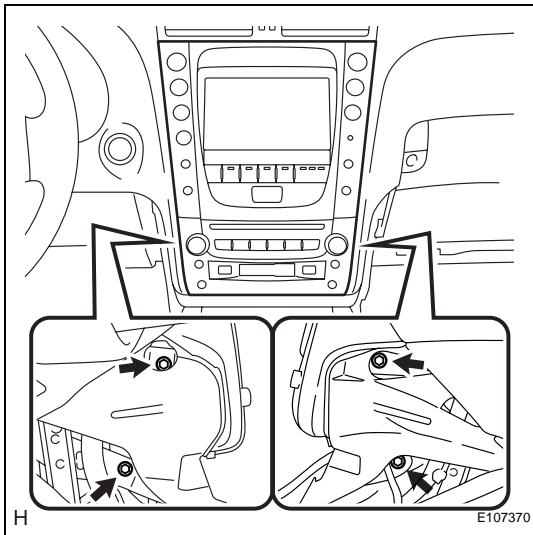
Wait at least 90 seconds after disconnecting the cable from the negative (-) battery terminal to prevent airbag and seat belt pretensioner activation.

3. REMOVE FRONT CONSOLE UPPER PANEL GARNISH (See page [IP-9](#))

4. REMOVE CONSOLE UPPER PANEL ASSEMBLY (See page [IP-9](#))

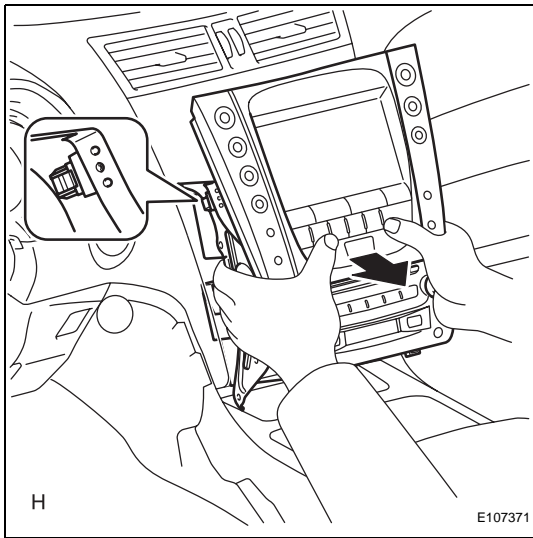
5. REMOVE INSTRUMENT PANEL FINISH PANEL END LH (See page [IP-10](#))

6. REMOVE INSTRUMENT PANEL FINISH PANEL END RH (See page [IP-10](#))



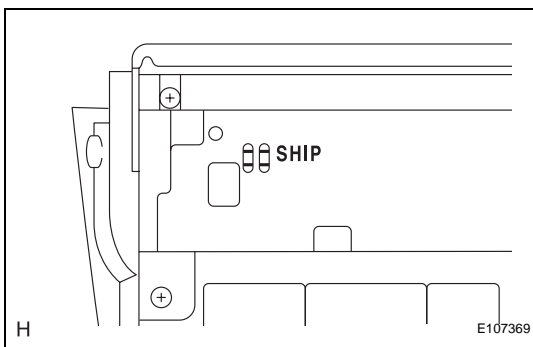
7. REMOVE MULTI-DISPLAY WITH RADIO RECEIVER ASSEMBLY

(a) Remove the 4 bolts.



(b) Pull the multi-display with radio receiver to detach the 2 clips on the backside of the multi-display.

(c) Disconnect the connectors and remove the multi-display with radio receiver.

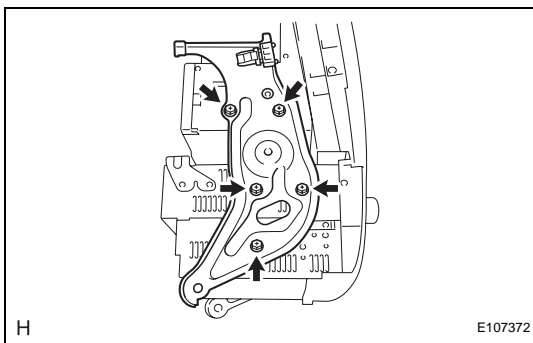


8. CONFIRM RADIO RECEIVER ASSEMBLY SHIPMENT MODE SETTING

(a) Look at the backside of the radio receiver and check that a metal plate can be seen through the hole near the "SHIP" mark.

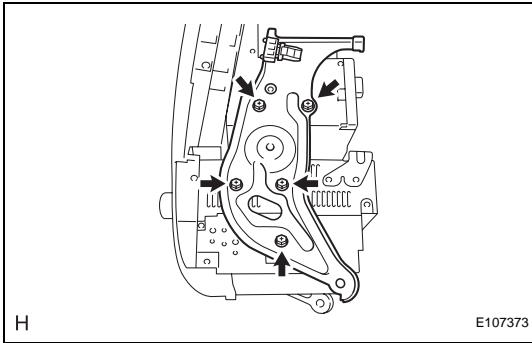
NOTICE:

If a metal plate cannot be seen, perform the shipment mode setting again.



9. REMOVE NO. 2 RADIO BRACKET

(a) Remove the 5 bolts and bracket.



10. REMOVE NO. 1 RADIO BRACKET
(a) Remove the 5 bolts and bracket.

11. REMOVE MULTI-DISPLAY

12. REMOVE RADIO RECEIVER ASSEMBLY

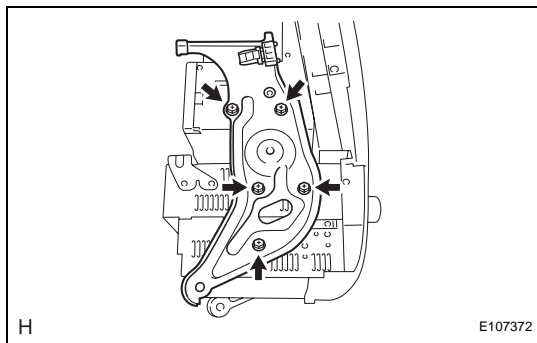
INSTALLATION

HINT:

A bolt without a torque specification is shown in the standard bolt chart (See page [SS-2](#)).

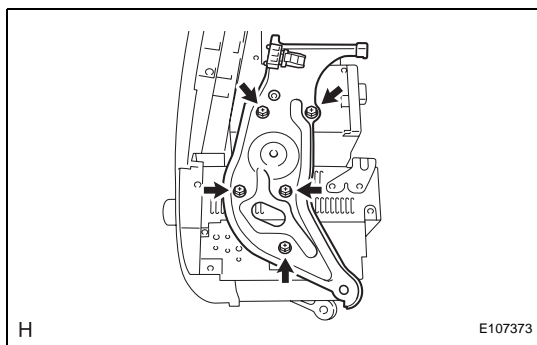
1. INSTALL NO. 2 RADIO BRACKET

- (a) Install the bracket with the 5 bolts.



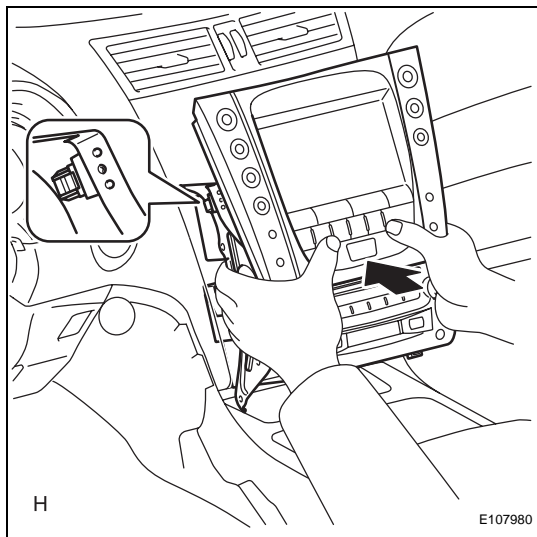
2. INSTALL NO. 1 RADIO BRACKET

- (a) Install the bracket with the 5 bolts.

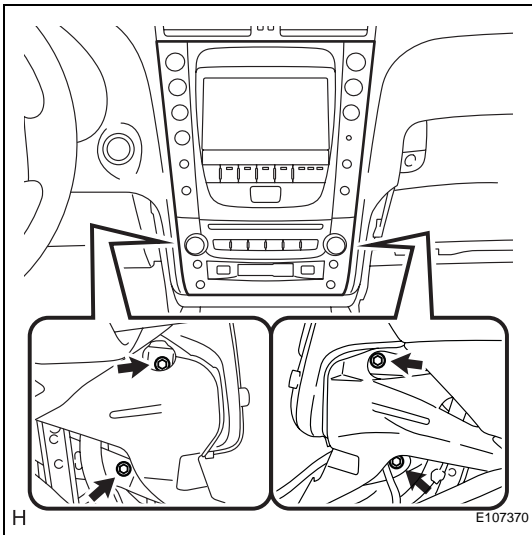


3. INSTALL MULTI-DISPLAY WITH RADIO RECEIVER ASSEMBLY

- (a) Connect the connectors.



- (b) Insert the multi-display with radio receiver and attach the 2 clips on its backside.



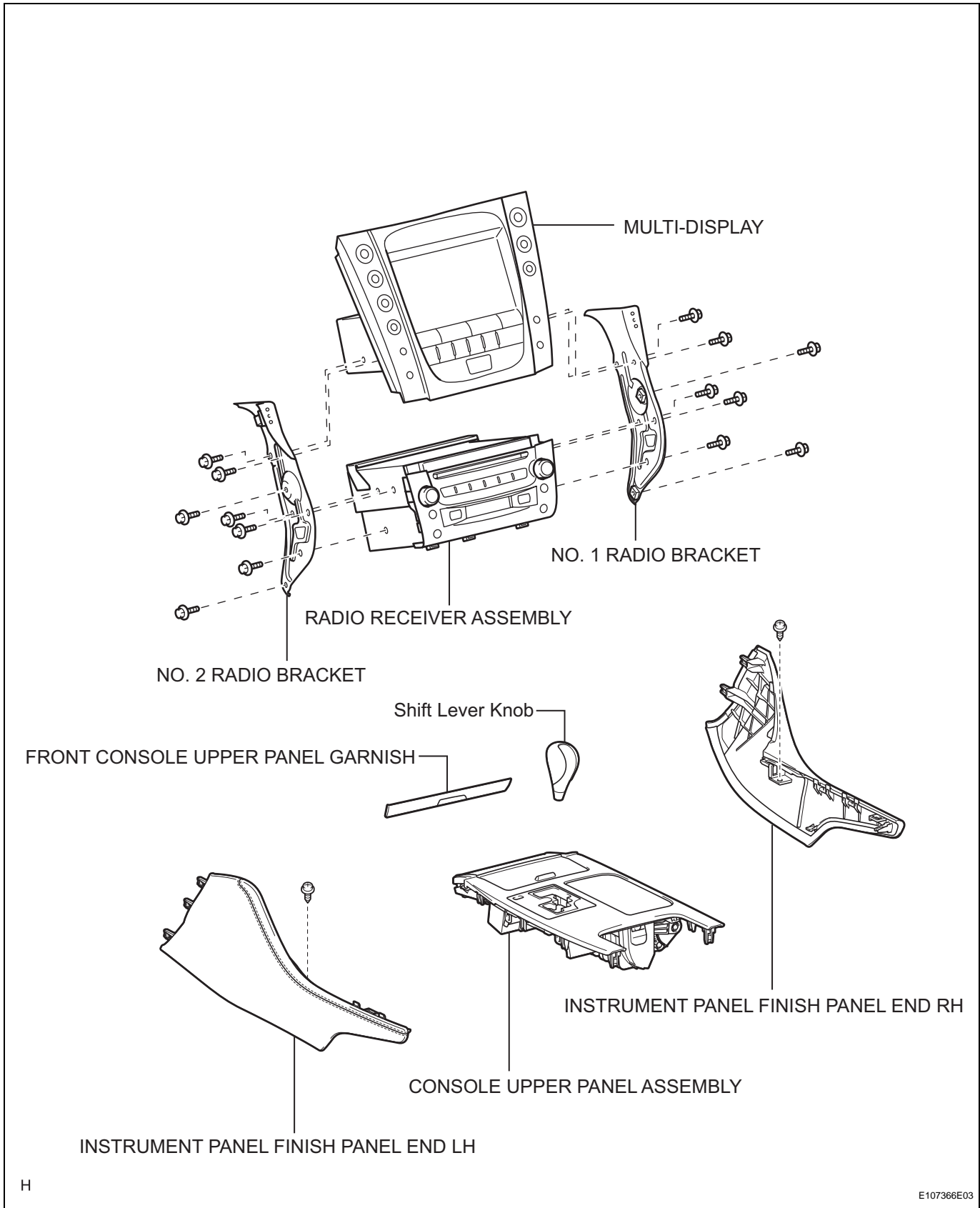
(c) Install the multi-display with radio receiver with the 4 bolts.

4. **INSTALL INSTRUMENT PANEL FINISH PANEL END LH (See page [IP-26](#))**
5. **INSTALL INSTRUMENT PANEL FINISH PANEL END RH (See page [IP-26](#))**
6. **INSTALL CONSOLE UPPER PANEL ASSEMBLY (See page [IP-26](#))**
7. **INSTALL FRONT CONSOLE UPPER PANEL GARNISH (See page [IP-27](#))**
8. **CONNECT CABLE TO NEGATIVE BATTERY TERMINAL**
9. **PERFORM INITIALIZATION**
 - (a) Perform initialization (See page [IN-37](#)).

NOTICE:

Certain systems need to be initialized after disconnecting and reconnecting the cable from the negative (-) battery terminal.

MULTI-DISPLAY COMPONENTS



REMOVAL

1. SET RADIO RECEIVER ASSEMBLY TO SHIPMENT MODE (See page [AV-220](#))
2. DISCONNECT CABLE FROM NEGATIVE BATTERY TERMINAL
CAUTION:
Wait at least 90 seconds after disconnecting the cable from the negative (-) battery terminal to prevent airbag and seat belt pretensioner activation.
3. REMOVE FRONT CONSOLE UPPER PANEL GARNISH (See page [IP-9](#))
4. REMOVE CONSOLE UPPER PANEL ASSEMBLY (See page [IP-9](#))
5. REMOVE INSTRUMENT PANEL FINISH PANEL END LH (See page [IP-10](#))
6. REMOVE INSTRUMENT PANEL FINISH PANEL END RH (See page [IP-10](#))
7. REMOVE MULTI-DISPLAY WITH RADIO RECEIVER ASSEMBLY (See page [AV-221](#))
8. CONFIRM RADIO RECEIVER ASSEMBLY SHIPMENT MODE SETTING (See page [AV-221](#))
9. REMOVE NO. 2 RADIO BRACKET (See page [AV-221](#))
10. REMOVE NO. 1 RADIO BRACKET (See page [AV-222](#))
11. REMOVE RADIO RECEIVER ASSEMBLY
12. REMOVE MULTI-DISPLAY

INSTALLATION

HINT:

A bolt without a torque specification is shown in the standard bolt chart (See page [SS-2](#)).

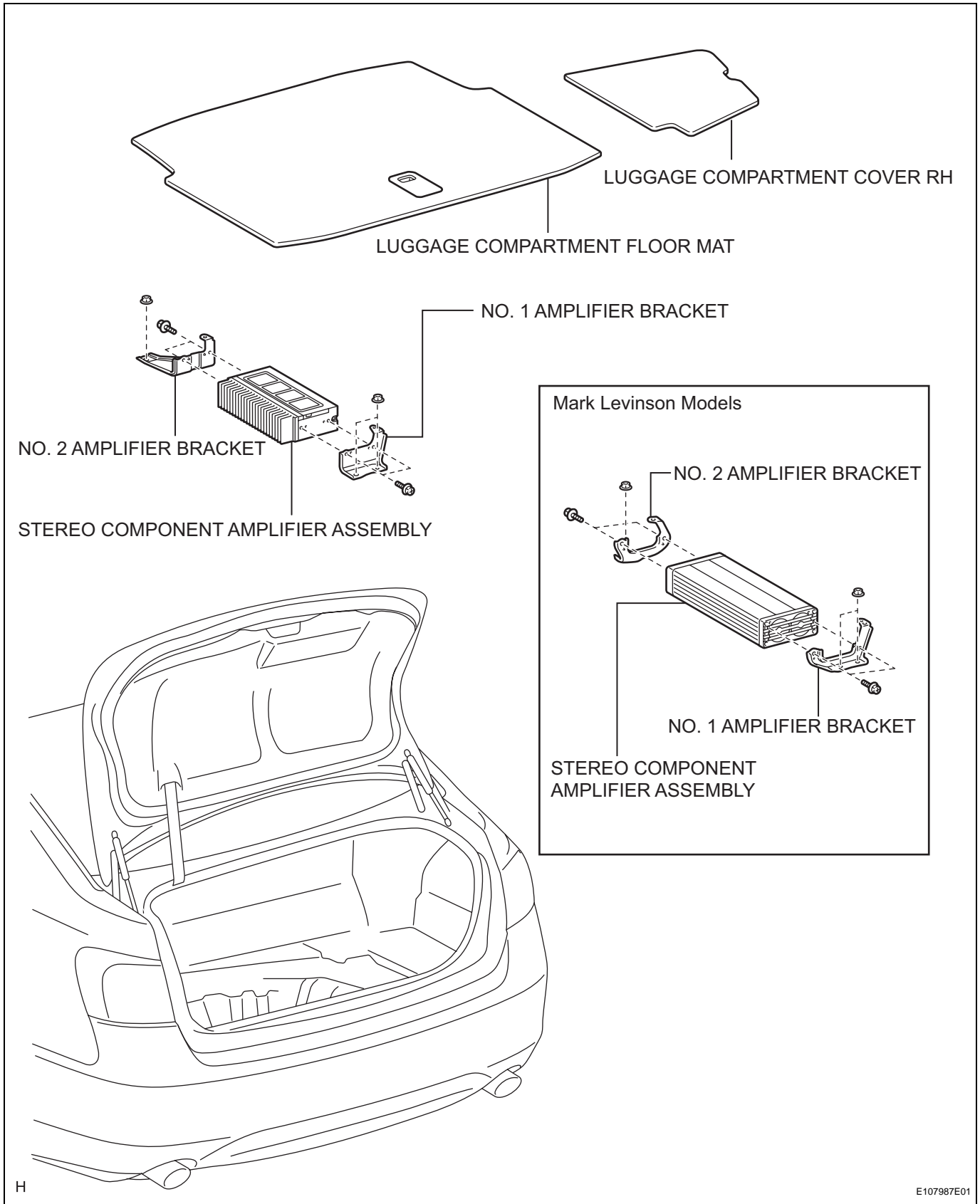
1. **INSTALL NO. 2 RADIO BRACKET (See page [AV-222](#))**
2. **INSTALL NO. 1 RADIO BRACKET (See page [AV-222](#))**
3. **INSTALL MULTI-DISPLAY WITH RADIO RECEIVER ASSEMBLY (See page [AV-222](#))**
4. **INSTALL INSTRUMENT PANEL FINISH PANEL END LH (See page [IP-26](#))**
5. **INSTALL INSTRUMENT PANEL FINISH PANEL END RH (See page [IP-26](#))**
6. **INSTALL CONSOLE UPPER PANEL ASSEMBLY (See page [IP-26](#))**
7. **INSTALL FRONT CONSOLE UPPER PANEL GARNISH (See page [IP-27](#))**
8. **CONNECT CABLE TO NEGATIVE BATTERY TERMINAL**
9. **PERFORM INITIALIZATION**
 - (a) Perform initialization (See page [IN-37](#)).

NOTICE:

Certain systems need to be initialized after disconnecting and reconnecting the cable from the negative (-) battery terminal.

STEREO COMPONENT AMPLIFIER

COMPONENTS



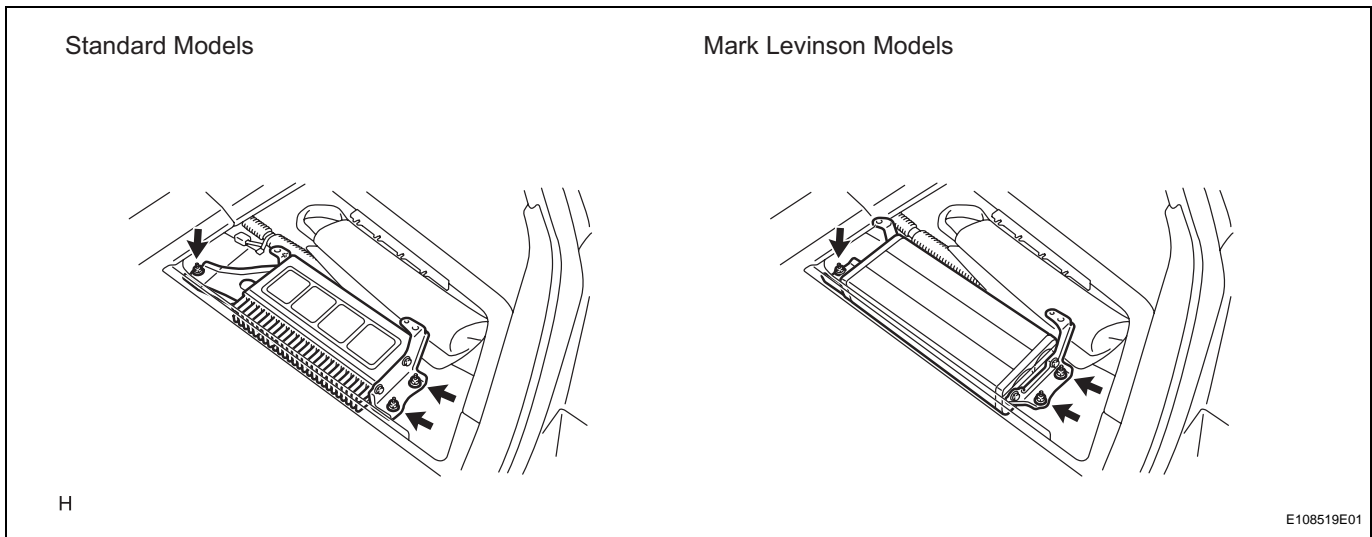
REMOVAL

1. **DISCONNECT CABLE FROM NEGATIVE BATTERY TERMINAL**

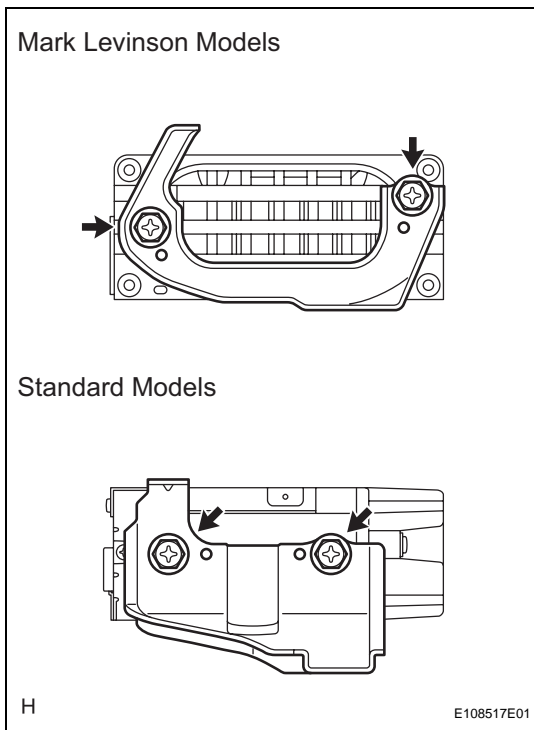
CAUTION:

Wait at least 90 seconds after disconnecting the cable from the negative (-) battery terminal to prevent airbag and seat belt pretensioner activation.

2. **REMOVE LUGGAGE COMPARTMENT FLOOR MAT**
3. **REMOVE LUGGAGE COMPARTMENT COVER RH**
4. **REMOVE STEREO COMPONENT AMPLIFIER ASSEMBLY WITH AMPLIFIER BRACKET**

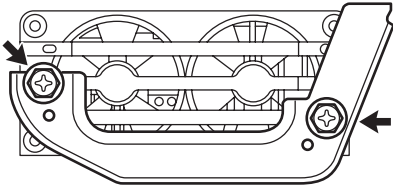


- (a) Disconnect the connectors.
- (b) Remove the 3 nuts and amplifier with bracket.

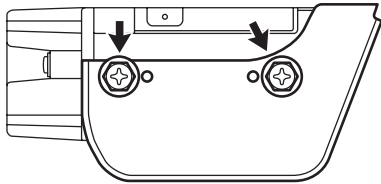


5. **REMOVE NO. 2 AMPLIFIER BRACKET**
 - (a) Remove the 2 screws and bracket.

Mark Levinson Models



Standard Models



H

E108518E01

6. **REMOVE NO. 1 AMPLIFIER BRACKET**
 - (a) Remove the 2 screws and bracket.
7. **REMOVE STEREO COMPONENT AMPLIFIER ASSEMBLY**

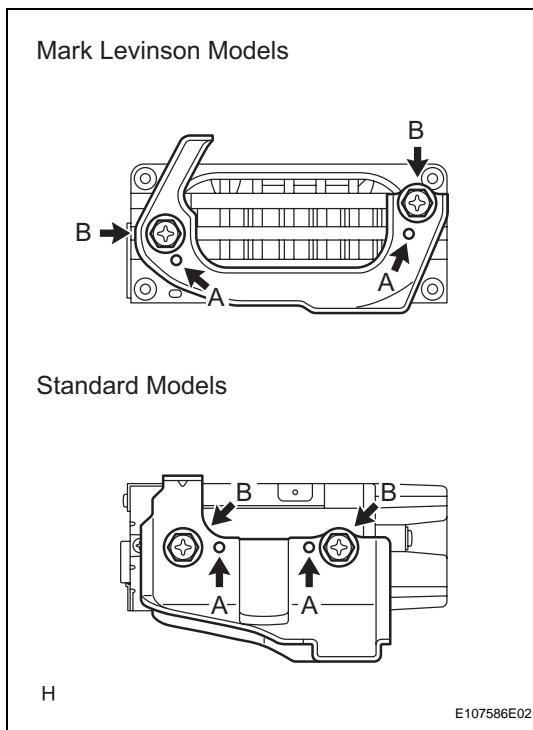
INSTALLATION

HINT:

A bolt without a torque specification is shown in the standard bolt chart (See page [SS-2](#)).

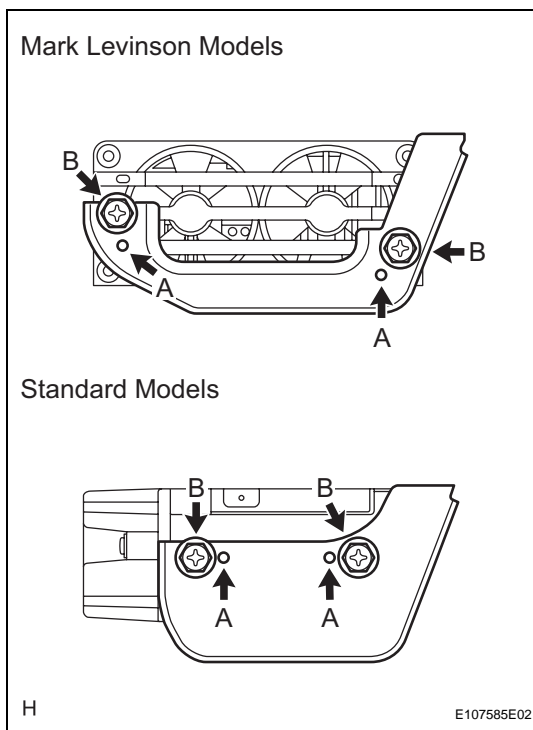
1. INSTALL NO. 2 AMPLIFIER BRACKET

- (a) Install the bracket's aligning protrusions labeled A to the amplifier.
- (b) Install the 2 screws labeled B.

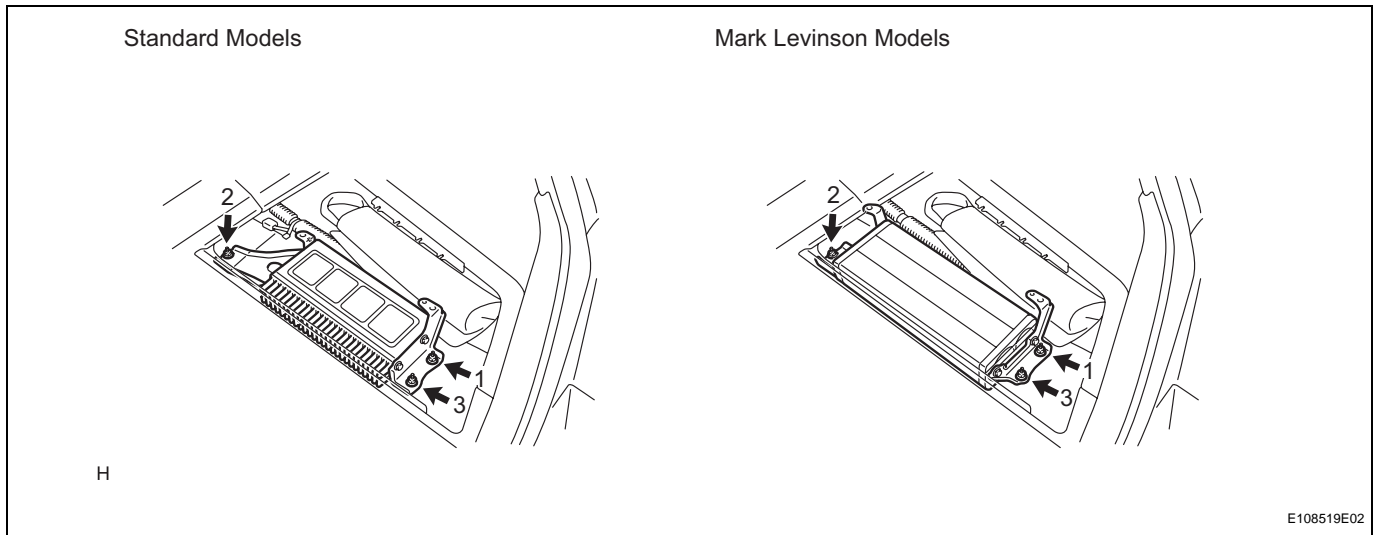


2. INSTALL NO. 1 AMPLIFIER BRACKET

- (a) Install the bracket's aligning protrusions labeled A to the amplifier.
- (b) Install the 2 screws labeled B.



3. INSTALL STEREO COMPONENT AMPLIFIER ASSEMBLY WITH AMPLIFIER BRACKET



(a) Install the amplifier with the 3 nuts.

HINT:

Tighten the nuts in the order shown in the illustration.

4. INSTALL LUGGAGE COMPARTMENT COVER RH

5. INSTALL LUGGAGE COMPARTMENT FLOOR MAT

6. CONNECT CABLE TO NEGATIVE BATTERY TERMINAL

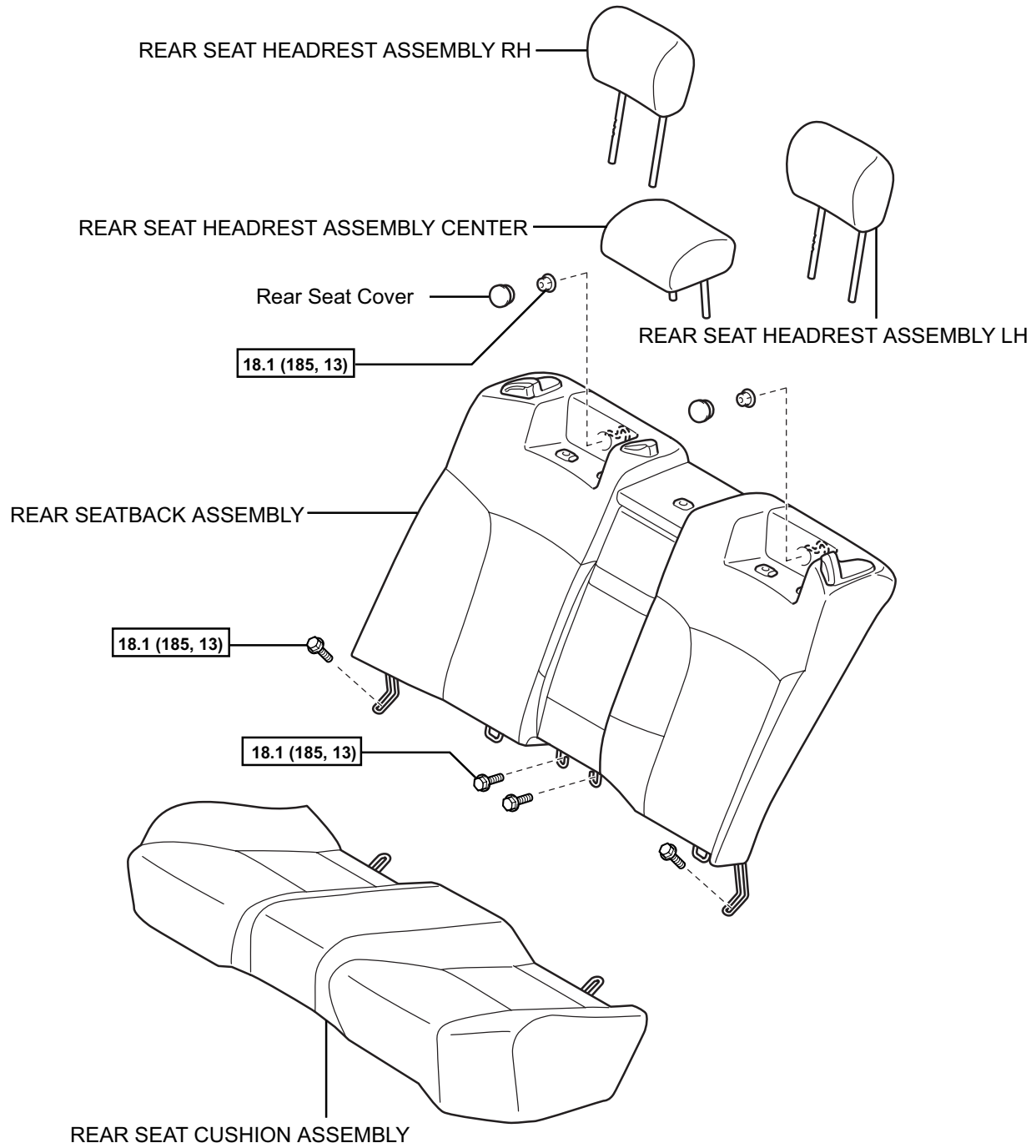
7. PERFORM INITIALIZATION

(a) Perform initialization (See page [IN-37](#)).

NOTICE:

Certain systems need to be initialized after disconnecting and reconnecting the cable from the negative (-) battery terminal.

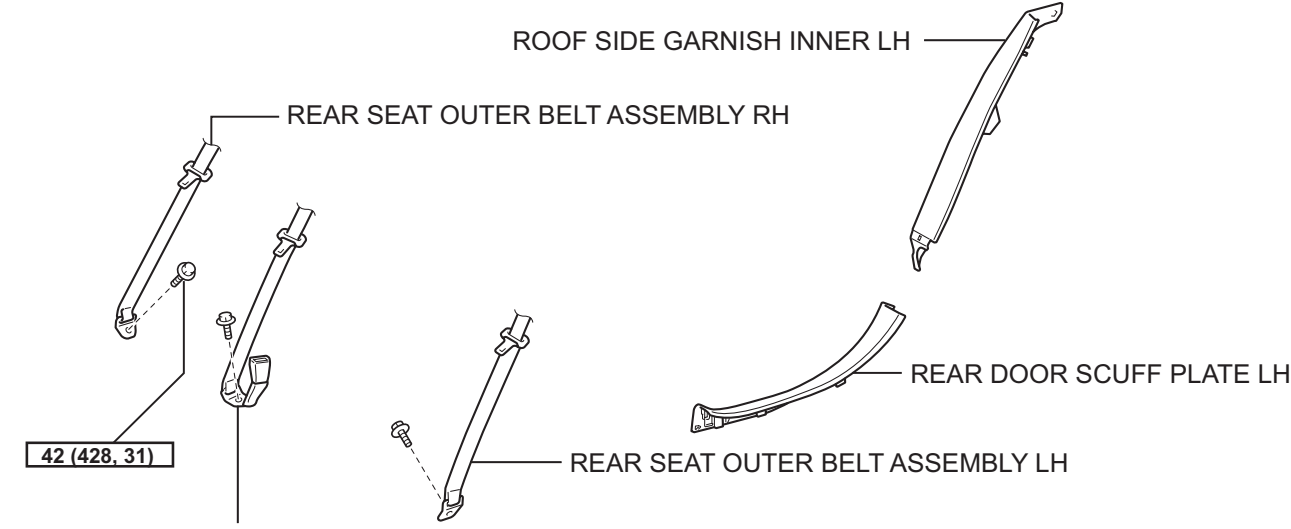
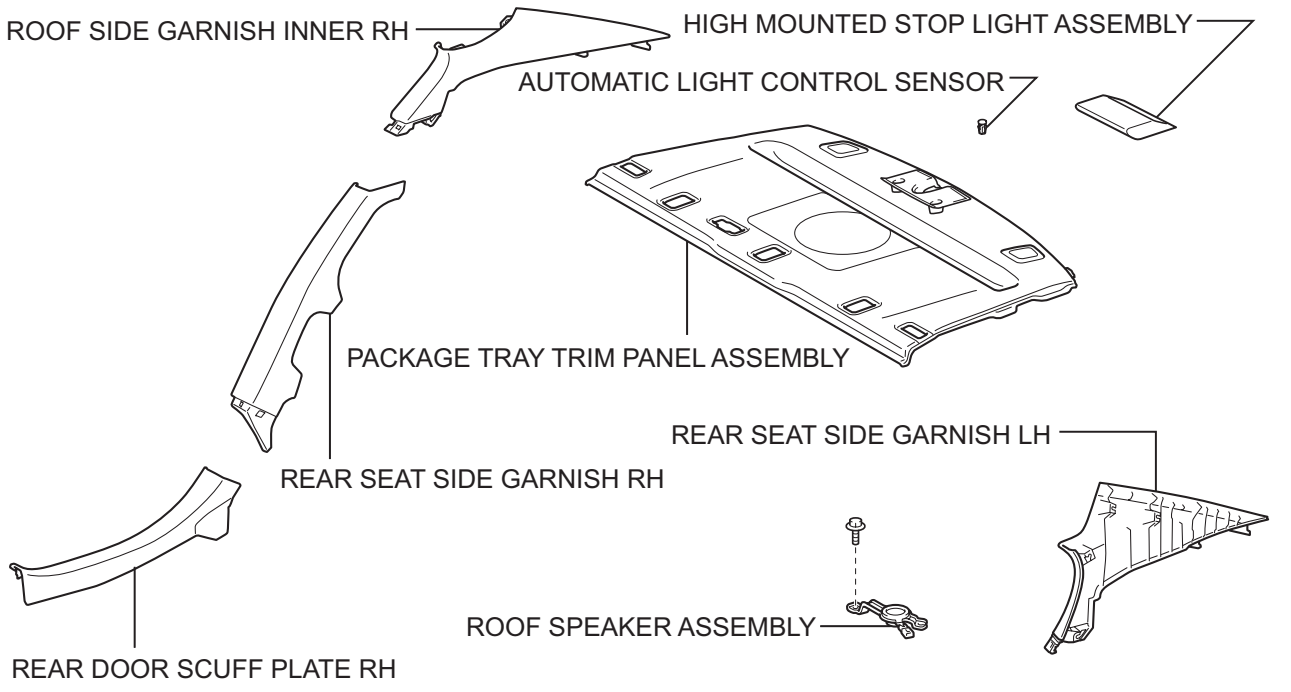
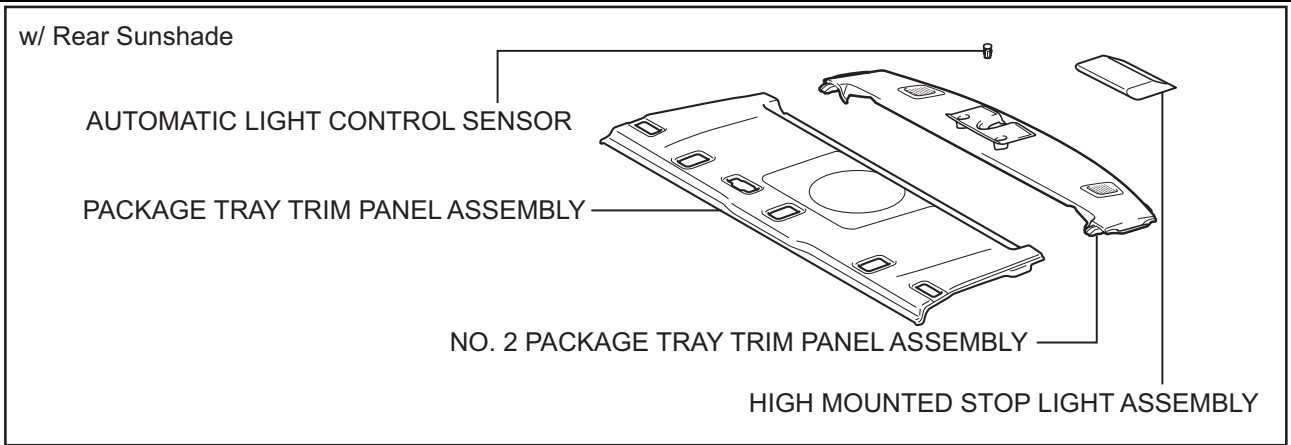
ROOF SPEAKER COMPONENTS



N*m (kgf*cm, ft.*lbf) : Specified torque

H

AV



42 (428, 31)

N*m (kgf*cm, ft.*lbf) : Specified torque

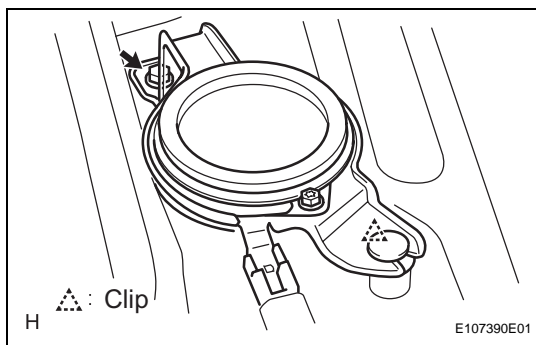


REMOVAL

HINT:

- Use the same procedures for the LH side and RH side.
- The procedures listed below are for the LH side.

1. **DISCONNECT CABLE FROM NEGATIVE BATTERY TERMINAL**
CAUTION:
Wait at least 90 seconds after disconnecting the cable from the negative (-) battery terminal to prevent airbag and seat belt pretensioner activation.
2. **REMOVE REAR SEAT CUSHION ASSEMBLY** (See page [SE-106](#))
3. **REMOVE REAR SEAT HEADREST ASSEMBLY LH AND RH**
4. **REMOVE REAR SEAT HEADREST ASSEMBLY CENTER**
5. **REMOVE REAR SEATBACK ASSEMBLY** (See page [SE-106](#))
6. **REMOVE REAR SEAT OUTER BELT ASSEMBLY** (See page [SB-52](#))
7. **REMOVE REAR SEAT INNER WITH CENTER BELT ASSEMBLY RH** (See page [SB-52](#))
8. **REMOVE REAR DOOR SCUFF PLATE LH** (See page [IR-34](#))
9. **REMOVE REAR DOOR SCUFF PLATE RH** (See page [IR-34](#))
10. **REMOVE REAR SEAT SIDE GARNISH LH** (See page [IR-35](#))
11. **REMOVE REAR SEAT SIDE GARNISH RH** (See page [IR-35](#))
12. **REMOVE ROOF SIDE GARNISH INNER LH** (See page [IR-35](#))
13. **REMOVE ROOF SIDE GARNISH INNER RH** (See page [IR-35](#))
14. **REMOVE HIGH MOUNTED STOP LIGHT ASSEMBLY** (See page [IR-19](#))
15. **REMOVE AUTOMATIC LIGHT CONTROL SENSOR** (See page [IR-20](#))
16. **REMOVE PACKAGE TRAY TRIM PANEL ASSEMBLY** (See page [IR-20](#))
17. **REMOVE NO. 2 PACKAGE TRAY TRIM PANEL ASSEMBLY (w/ Rear Sunshade)** (See page [IR-21](#))

**18. REMOVE ROOF SPEAKER ASSEMBLY**

- (a) Remove the bolt.
- (b) Detach the clip, disconnect the connector and remove the speaker.

HINT:

Do not touch the cone part of the speaker.

INSPECTION

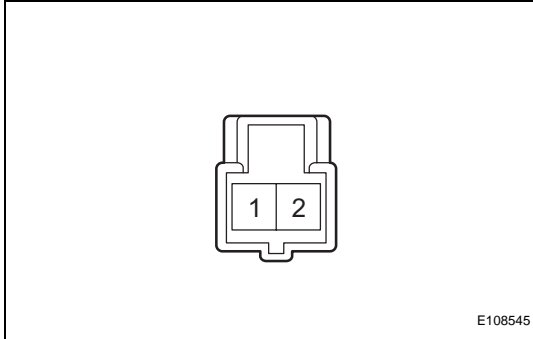
1. INSPECT ROOF SPEAKER ASSEMBLY

- (a) With the speaker installed, check that there is no looseness or other abnormalities.
- (b) Check that there is no foreign matter in the speaker, no tears on the speaker's cone part, or other abnormalities.
- (c) Measure the resistance of the speaker connector.

Standard resistance

Tester Connection	Specified Condition
1 - 2	8 Ω

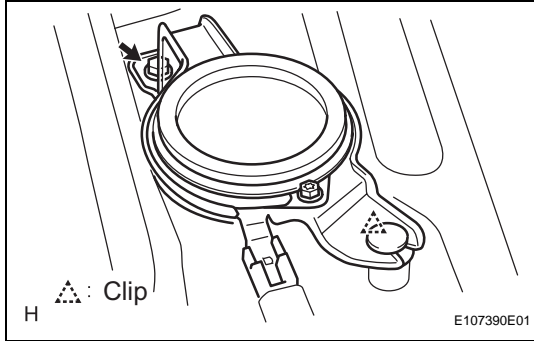
If the result is not as specified, replace the speaker assembly.



INSTALLATION

HINT:

- Use the same procedures for the LH side and RH side.
- The procedures listed below are for the LH side.
- A bolt without a torque specification is shown in the standard bolt chart (See page [SS-2](#)).



- 1. INSTALL ROOF SPEAKER ASSEMBLY**
 - (a) Connect the connector.
 - (b) Install the speaker and attach the clip.
 - (c) Install the bolt.

HINT:
Do not touch the cone part of the speaker.
- 2. INSTALL NO. 2 PACKAGE TRAY TRIM PANEL ASSEMBLY (w/ Rear Sunshade) (See page [IR-22](#))**
- 3. INSTALL PACKAGE TRAY TRIM PANEL ASSEMBLY (See page [IR-23](#))**
- 4. INSTALL AUTOMATIC LIGHT CONTROL SENSOR (See page [IR-23](#))**
- 5. INSTALL HIGH MOUNTED STOP LIGHT ASSEMBLY (See page [IR-23](#))**
- 6. INSTALL ROOF SIDE GARNISH INNER LH (See page [IR-45](#))**
- 7. INSTALL ROOF SIDE GARNISH INNER RH (See page [IR-45](#))**
- 8. INSTALL REAR SEAT SIDE GARNISH LH (See page [IR-45](#))**
- 9. INSTALL REAR SEAT SIDE GARNISH RH (See page [IR-45](#))**
- 10. INSTALL REAR DOOR SCUFF PLATE LH (See page [IR-45](#))**
- 11. INSTALL REAR DOOR SCUFF PLATE RH (See page [IR-45](#))**
- 12. INSTALL REAR SEAT OUTER BELT ASSEMBLY (See page [SB-47](#))**
- 13. INSTALL REAR SEAT INNER WITH CENTER BELT ASSEMBLY RH (See page [SB-47](#))**
- 14. INSTALL REAR SEATBACK ASSEMBLY (See page [SE-112](#))**
- 15. INSTALL REAR SEAT HEADREST ASSEMBLY LH AND RH**
- 16. REMOVE REAR SEAT HEADREST ASSEMBLY CENTER**
- 17. INSTALL REAR SEAT CUSHION ASSEMBLY (See page [SE-113](#))**

18. PERFORM INITIALIZATION

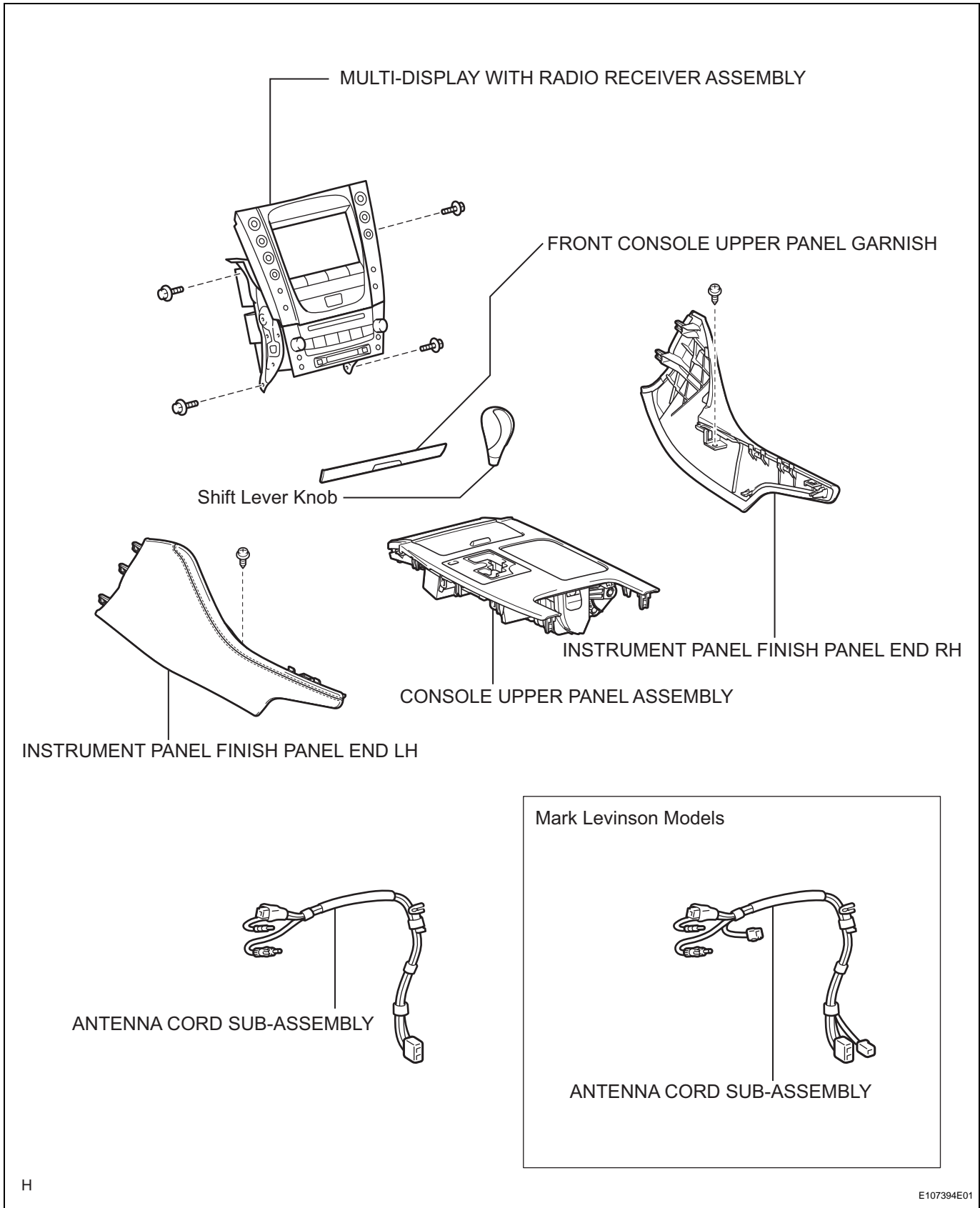
- (a) Perform initialization (See page [IN-37](#)).

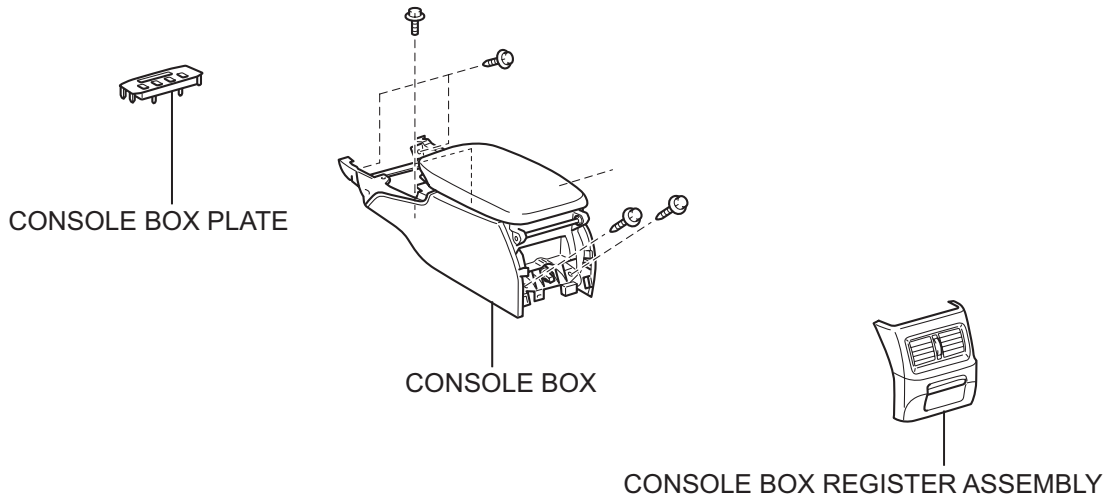
NOTICE:

Certain systems need to be initialized after disconnecting and reconnecting the cable from the negative (-) battery terminal.

RADIO ANTENNA CORD

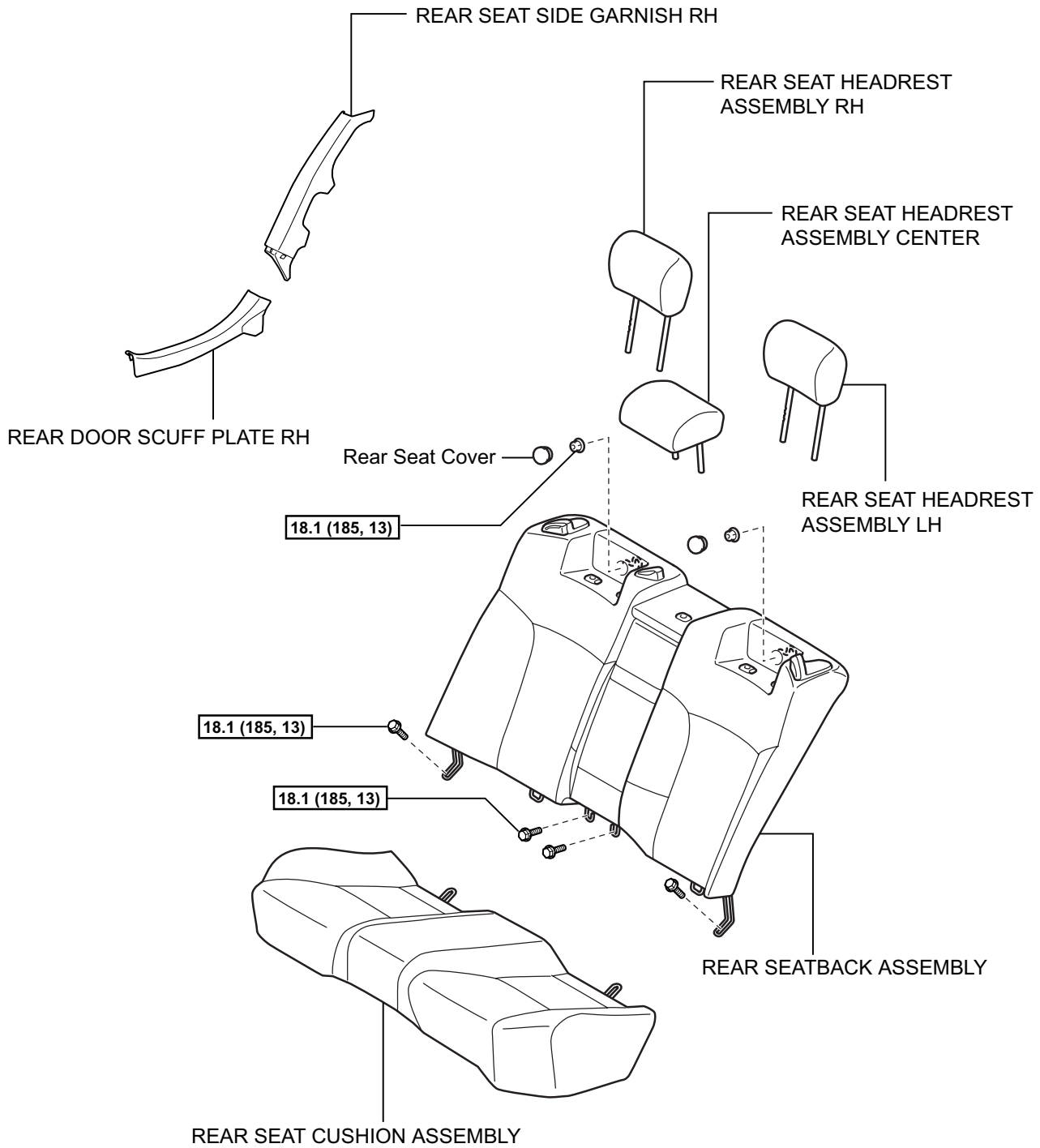
COMPONENTS





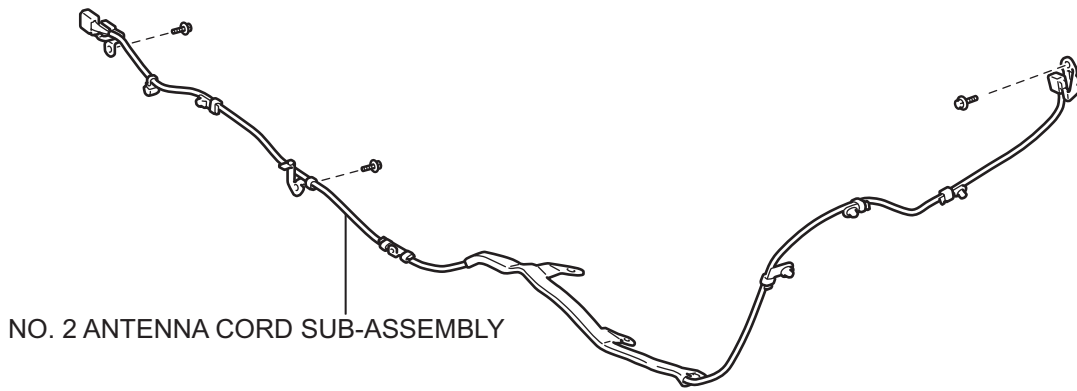
H

E108522E01

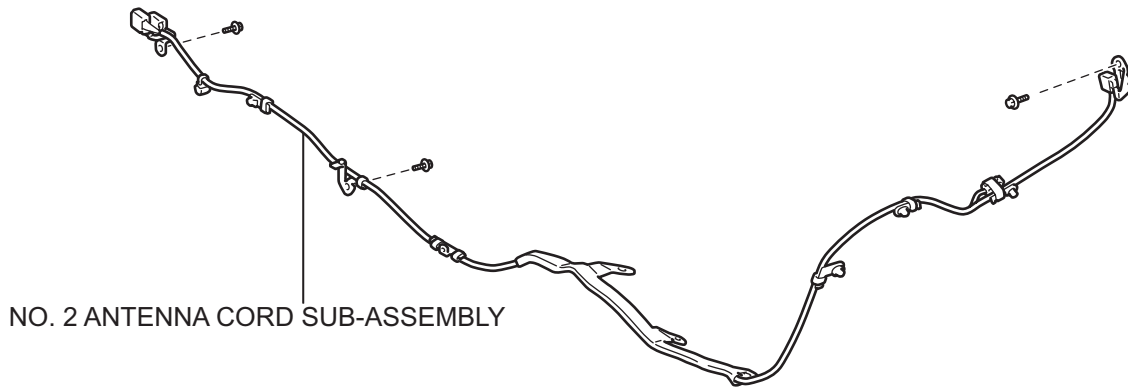


N*m (kgf*cm, ft.*lbf) : Specified torque

H



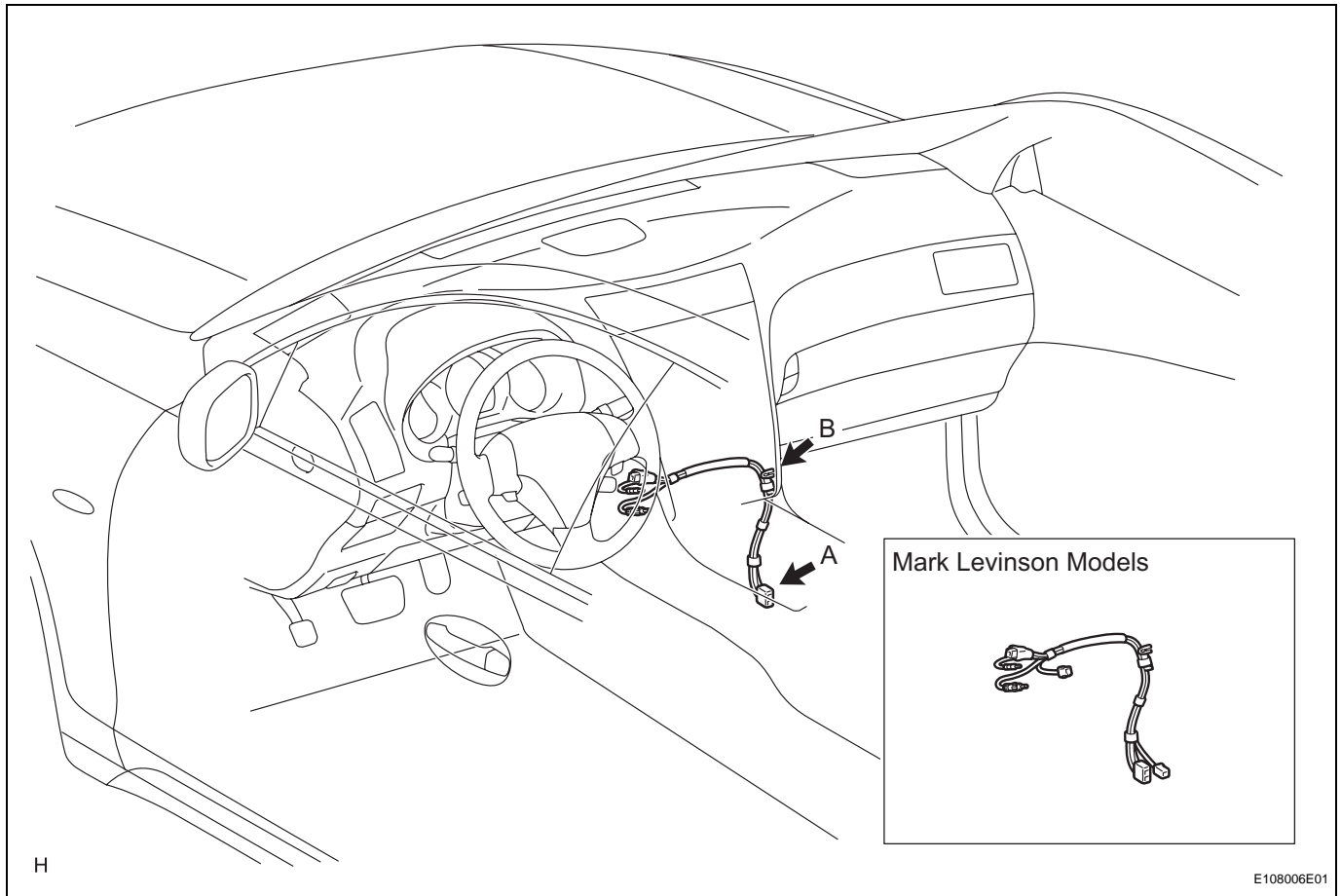
Mark Levinson Models



E107582E01

REMOVAL

1. SET RADIO RECEIVER ASSEMBLY TO SHIPMENT MODE (See page [AV-220](#))
2. DISCONNECT CABLE FROM NEGATIVE BATTERY TERMINAL
CAUTION:
Wait at least 90 seconds after disconnecting the cable from the negative (-) battery terminal to prevent airbag and seat belt pretensioner activation.
3. REMOVE FRONT CONSOLE UPPER PANEL GARNISH (See page [IP-9](#))
4. REMOVE CONSOLE UPPER PANEL ASSEMBLY (See page [IP-9](#))
5. REMOVE INSTRUMENT PANEL FINISH PANEL END LH (See page [IP-10](#))
6. REMOVE INSTRUMENT PANEL FINISH PANEL END RH (See page [IP-10](#))
7. REMOVE CONSOLE BOX PLATE (See page [IP-10](#))
8. REMOVE CONSOLE BOX REGISTER ASSEMBLY (See page [IP-10](#))
9. REMOVE CONSOLE BOX (See page [IP-11](#))
10. REMOVE MULTI-DISPLAY WITH RADIO RECEIVER ASSEMBLY (See page [AV-221](#))
11. CONFIRM RADIO RECEIVER ASSEMBLY SHIPMENT MODE (See page [AV-221](#))

12. REMOVE ANTENNA CORD SUB-ASSEMBLY

- (a) Disconnect the connector labeled A.
- (b) Detach the clip labeled B and remove the antenna cord.

13. REMOVE REAR SEAT CUSHION ASSEMBLY (See page [SE-106](#))

14. REMOVE REAR SEAT HEADREST ASSEMBLY LH AND RH

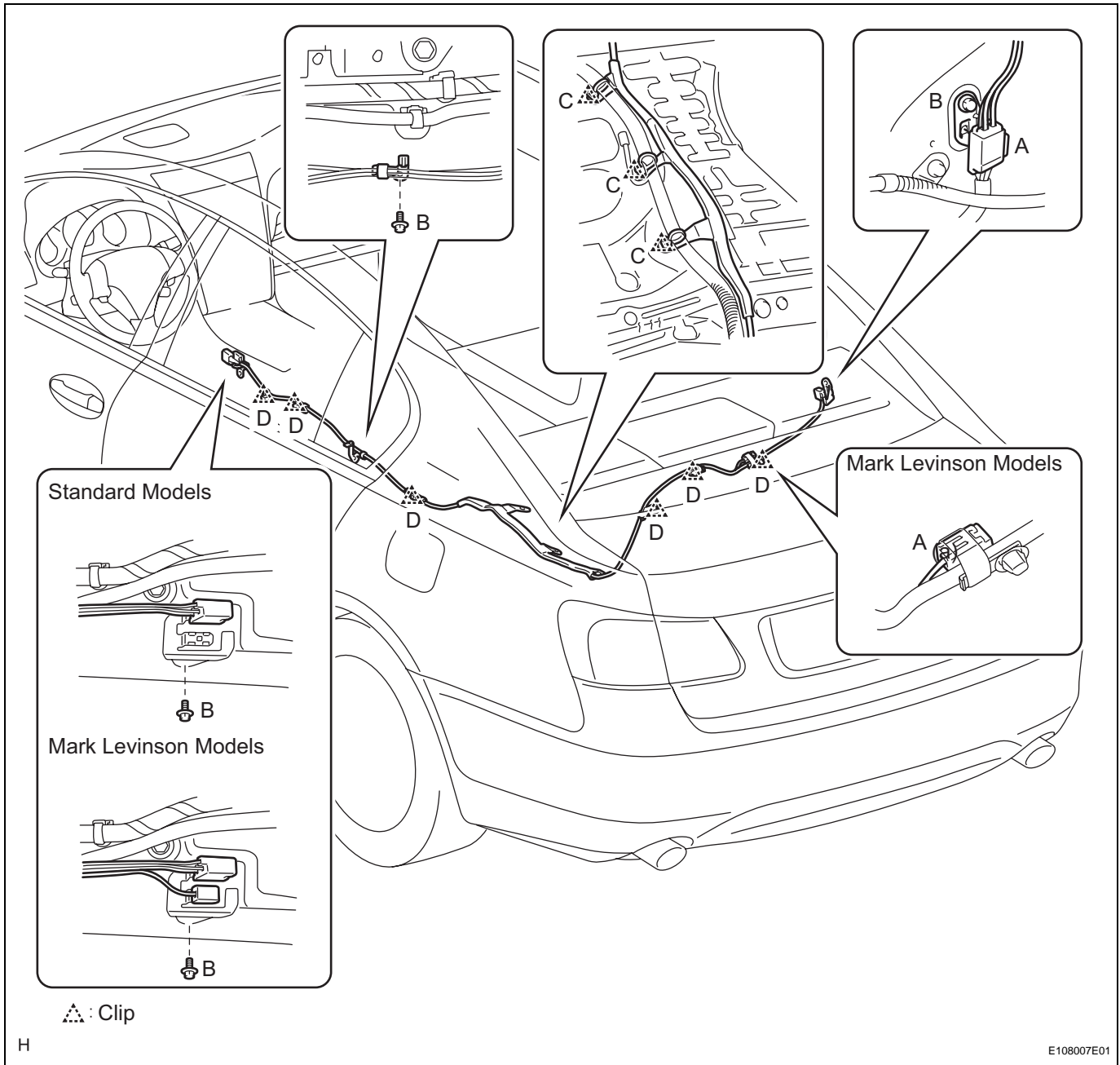
15. REMOVE REAR SEAT HEADREST ASSEMBLY CENTER

16. REMOVE REAR SEATBACK ASSEMBLY (See page [SE-106](#))

17. REMOVE REAR DOOR SCUFF PLATE RH (See page [IR-34](#))

18. REMOVE REAR SEAT SIDE GARNISH RH (See page [IR-35](#))

19. REMOVE NO. 2 ANTENNA CORD SUB-ASSEMBLY



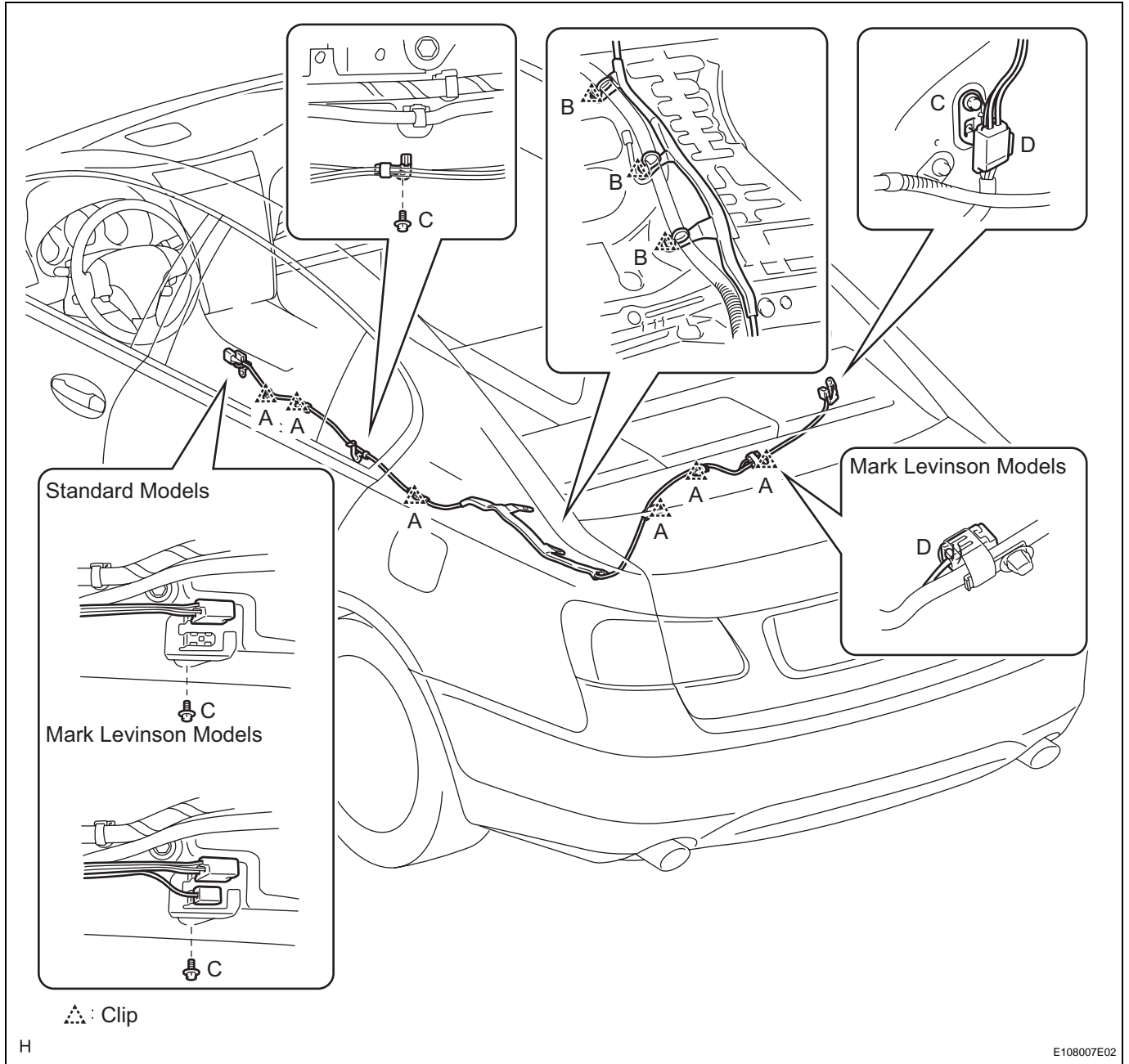
- (a) Disconnect the connectors labeled A.
- (b) Remove the 3 bolts labeled B.
- (c) Detach the antenna cord protector's 3 clips labeled C from the floor stud bolts.
- (d) Detach the 6 clips labeled D and remove the antenna cord.

INSTALLATION

HINT:

A bolt without a torque specification is shown in the standard bolt chart (See page [SS-2](#)).

1. INSTALL NO. 2 ANTENNA CORD SUB-ASSEMBLY

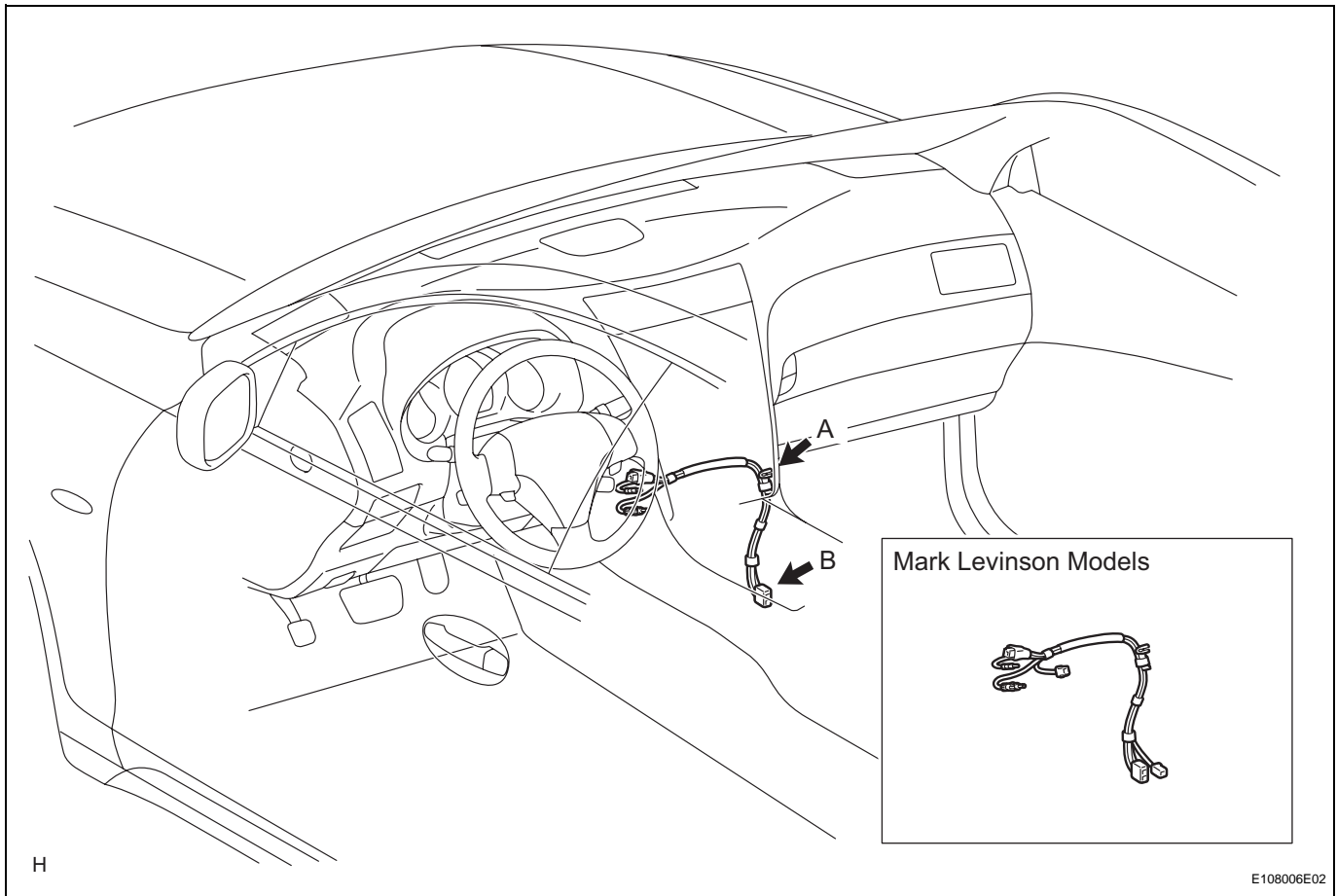


- Attach the 6 clips labeled A.
- Attach the antenna cord protector's 3 clips labeled B to the floor stud bolts.
- Install the 3 bolts labeled C.
- Connect the connectors labeled D.

2. **INSTALL REAR SEAT SIDE GARNISH RH** (See page [IR-45](#))

3. **INSTALL REAR DOOR SCUFF PLATE RH** (See page [IR-45](#))

4. INSTALL REAR SEATBACK ASSEMBLY (See page [SE-112](#))
5. INSTALL REAR SEAT HEADREST ASSEMBLY LH AND RH
6. INSTALL REAR SEAT HEADREST ASSEMBLY CENTER
7. INSTALL REAR SEAT CUSHION ASSEMBLY (See page [SE-113](#))
8. INSTALL ANTENNA CORD SUB-ASSEMBLY



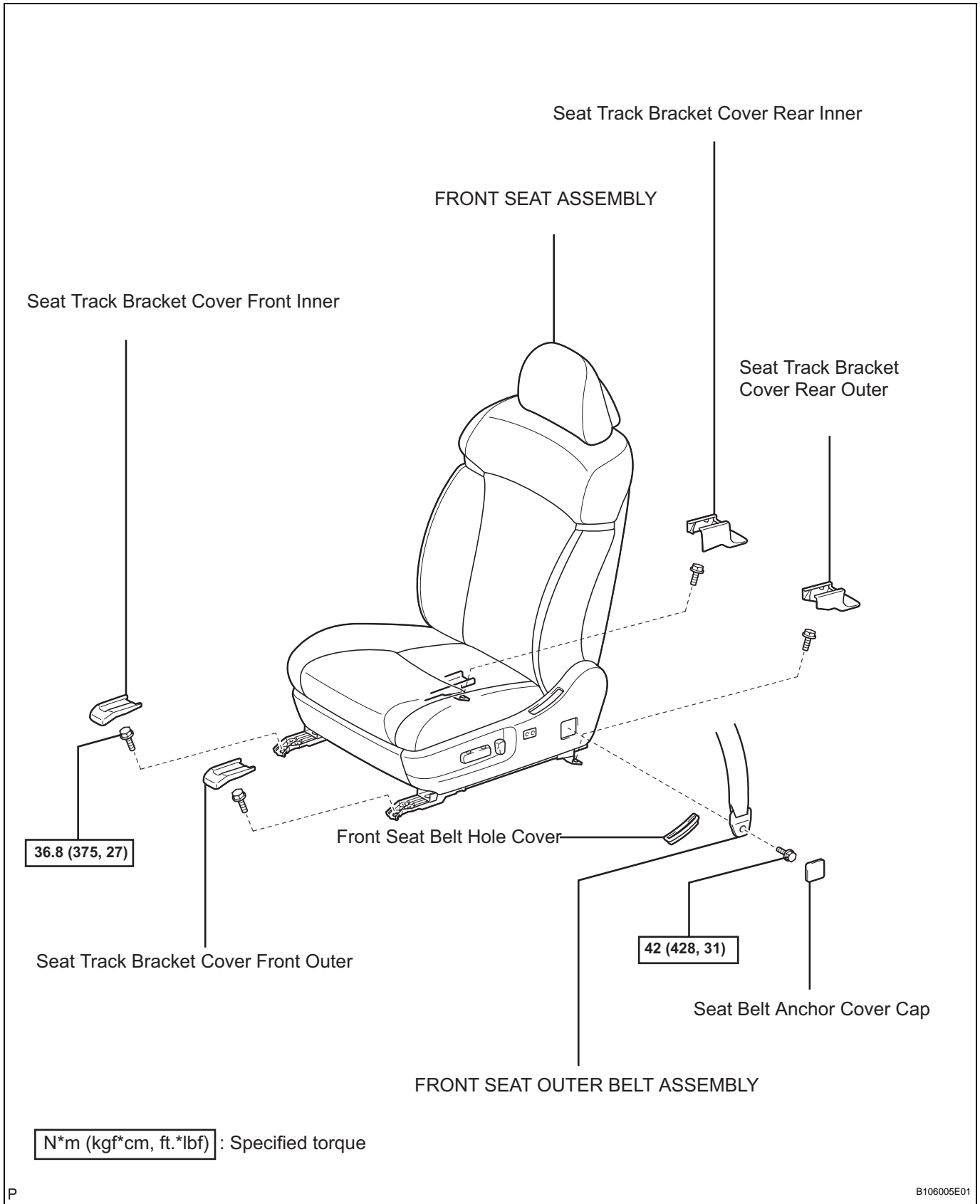
- (a) Attach the clip labeled A.
- (b) Connect the connector labeled B.

9. INSTALL MULTI-DISPLAY WITH RADIO RECEIVER ASSEMBLY (See page [AV-222](#))
10. INSTALL CONSOLE BOX (See page [IP-25](#))
11. INSTALL CONSOLE BOX REGISTER ASSEMBLY (See page [IP-25](#))
12. INSTALL CONSOLE BOX PLATE (See page [IP-25](#))
13. INSTALL INSTRUMENT PANEL FINISH PANEL END LH (See page [IP-26](#))
14. INSTALL INSTRUMENT PANEL FINISH PANEL END RH (See page [IP-26](#))

-
15. **INSTALL CONSOLE UPPER PANEL ASSEMBLY** (See page [IP-26](#))
 16. **INSTALL FRONT CONSOLE UPPER PANEL GARNISH** (See page [IP-27](#))
 17. **CONNECT CABLE TO NEGATIVE BATTERY TERMINAL**
 18. **PERFORM INITIALIZATION**
 - (a) Perform initialization (See page [IN-37](#)).
NOTICE:
Certain systems need to be initialized after disconnecting and reconnecting the cable from the negative (-) battery terminal.

AMPLIFIER ANTENNA

COMPONENTS



REAR SEAT HEADREST ASSEMBLY LH

REAR SEAT HEADREST ASSEMBLY RH

REAR SEAT HEADREST ASSEMBLY CENTER

Rear Seat Cover

18.1(185, 13)

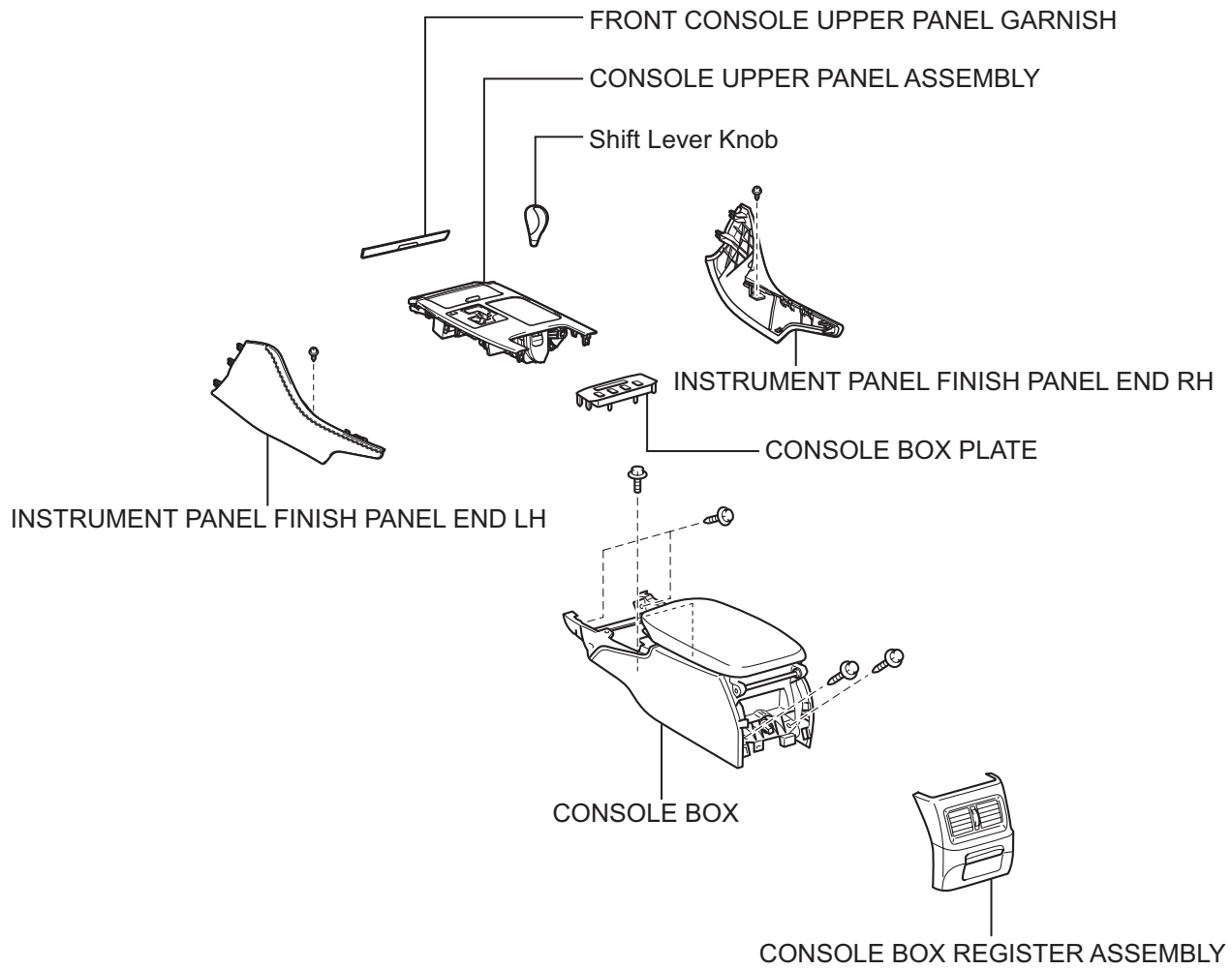
18.1(185, 13)

REAR SEATBACK ASSEMBLY

REAR SEAT CUSHION ASSEMBLY

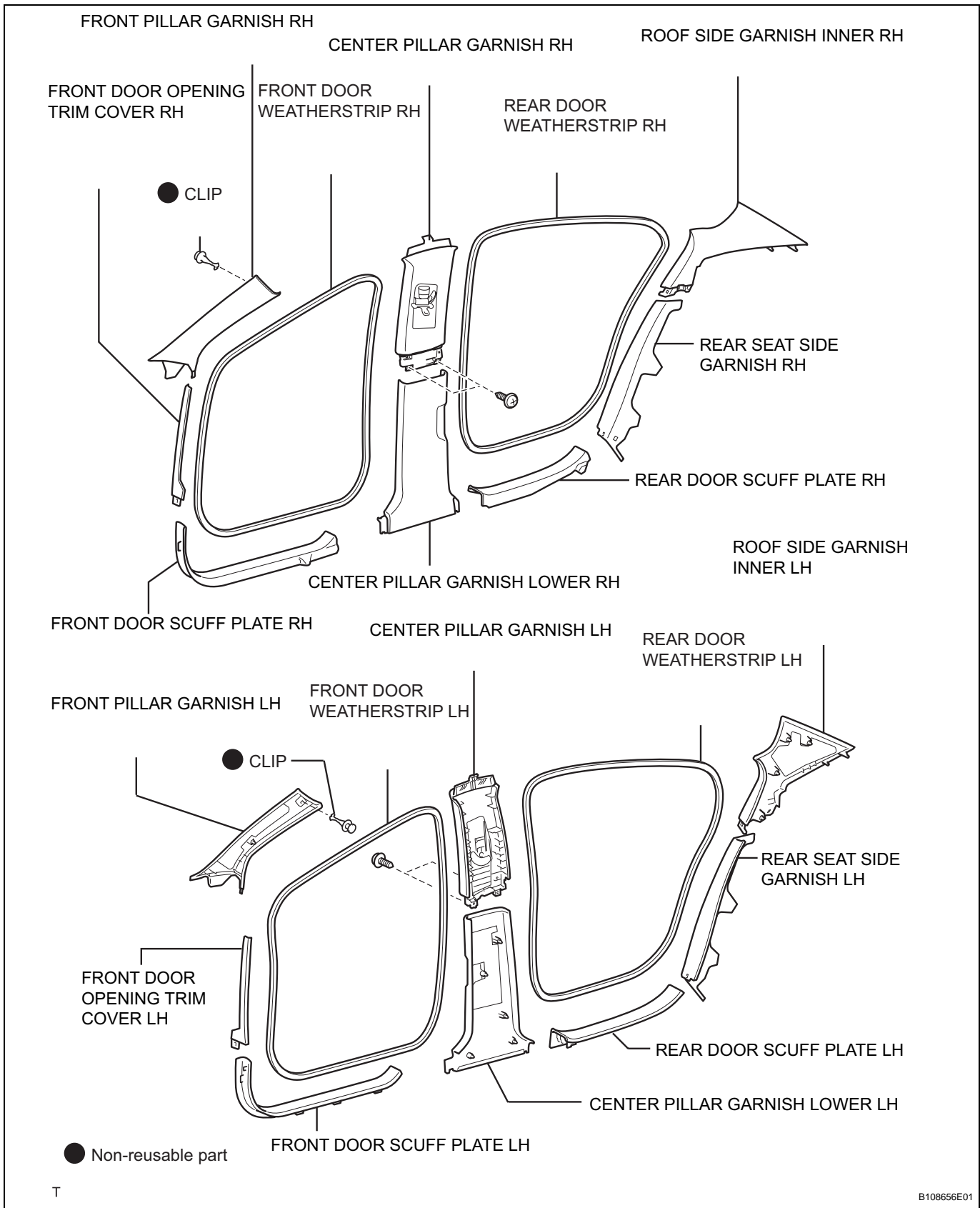
$N \cdot m$ (kgf \cdot cm, ft. \cdot lbf): Specified torque

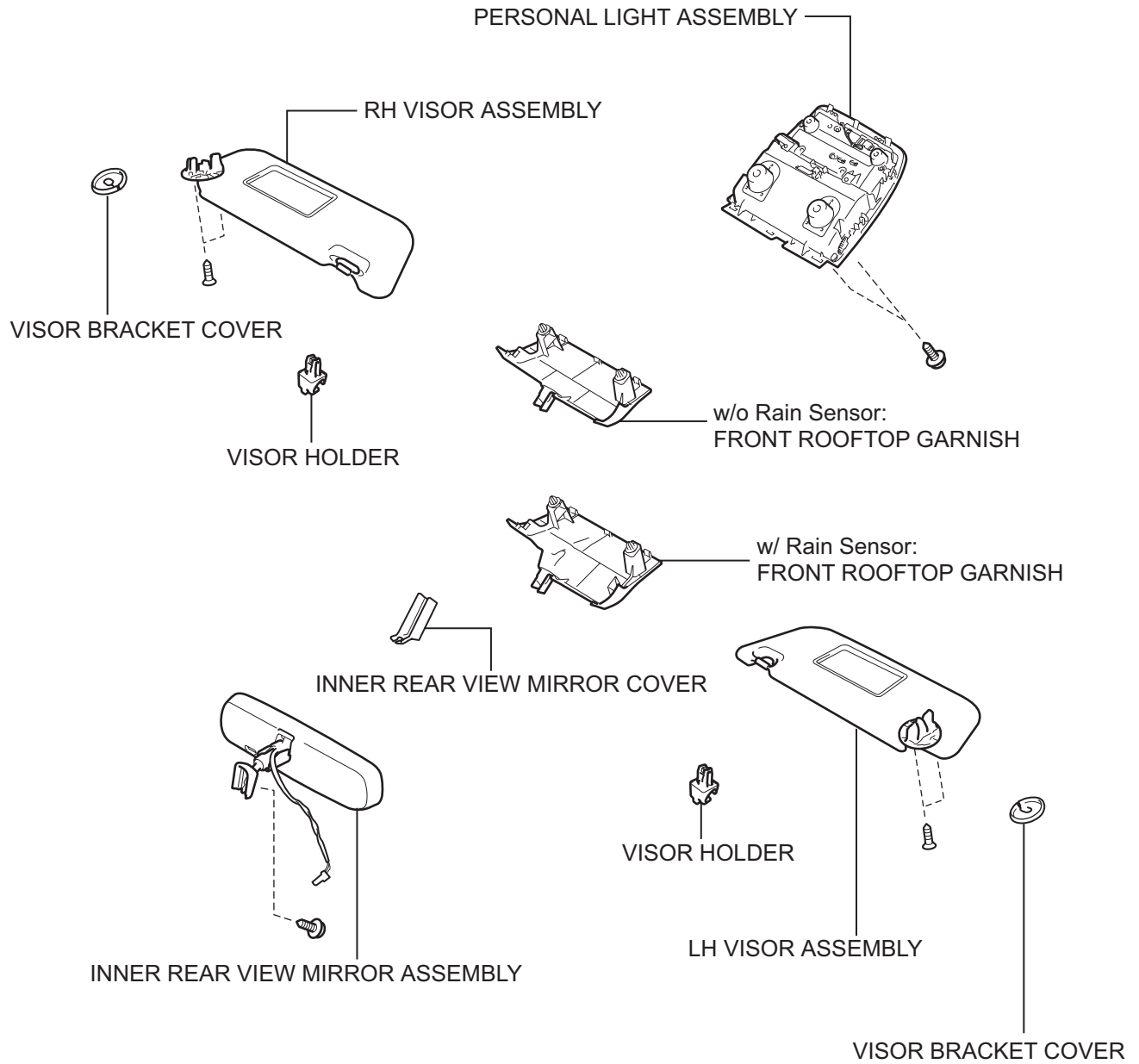
P



H

E109861E01






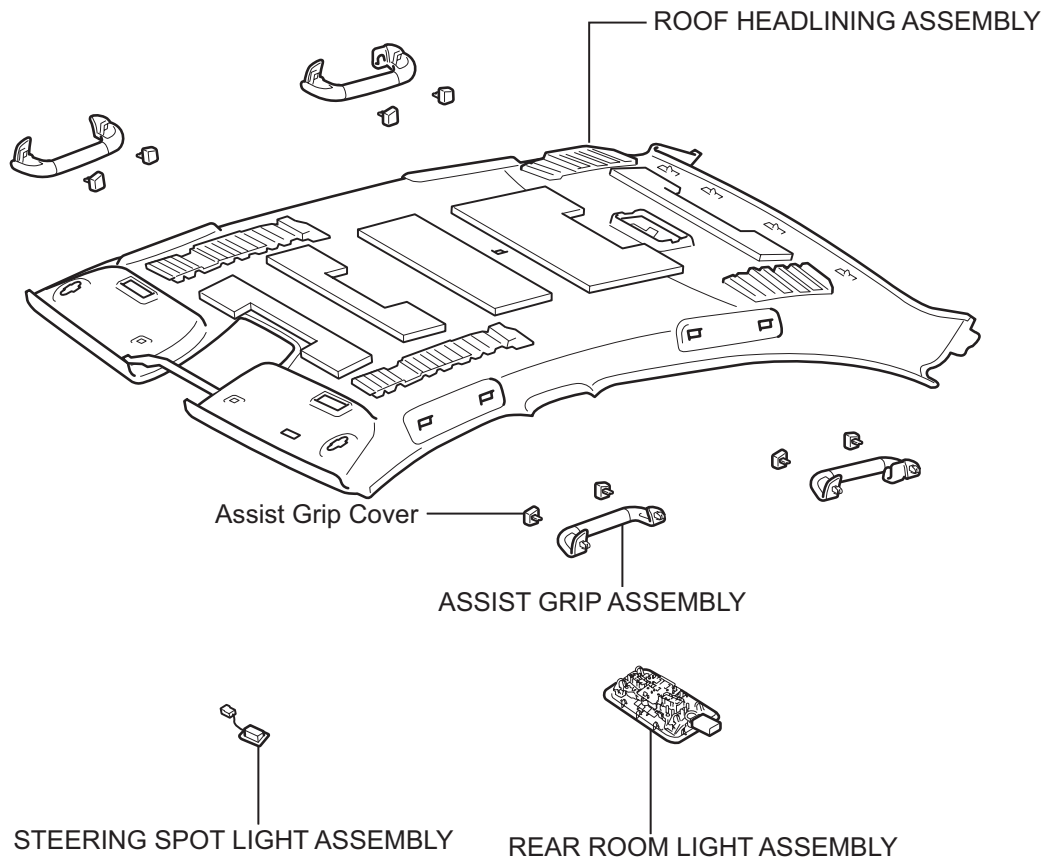
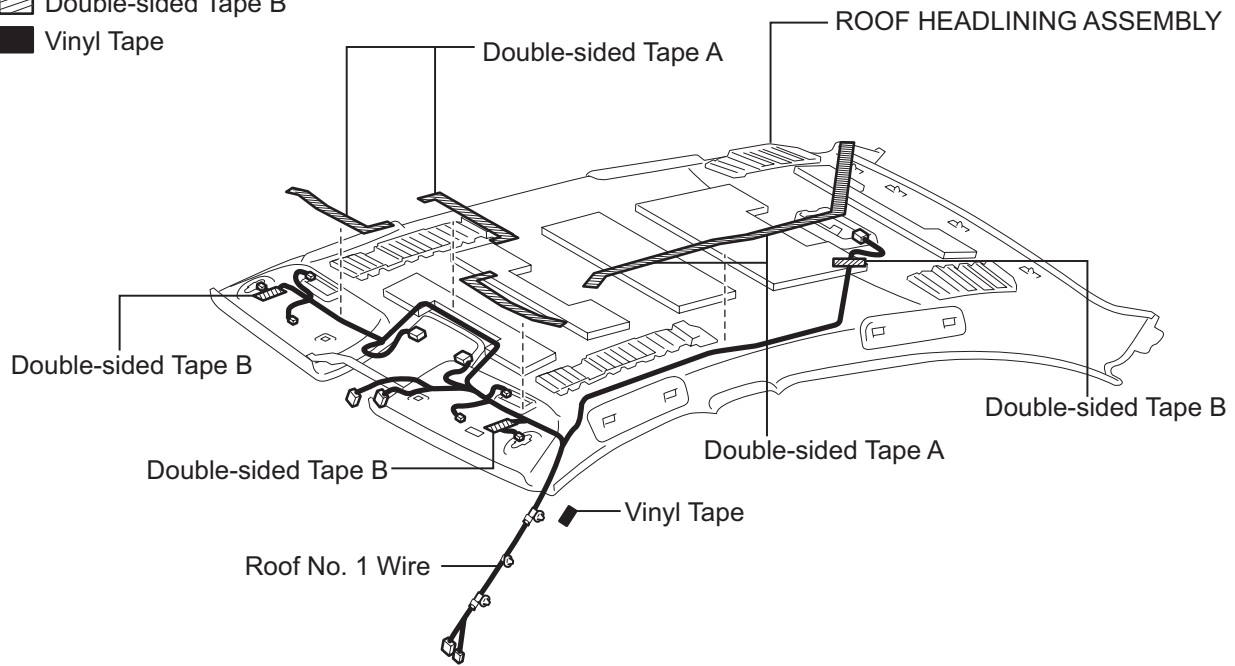


T




E109866E01

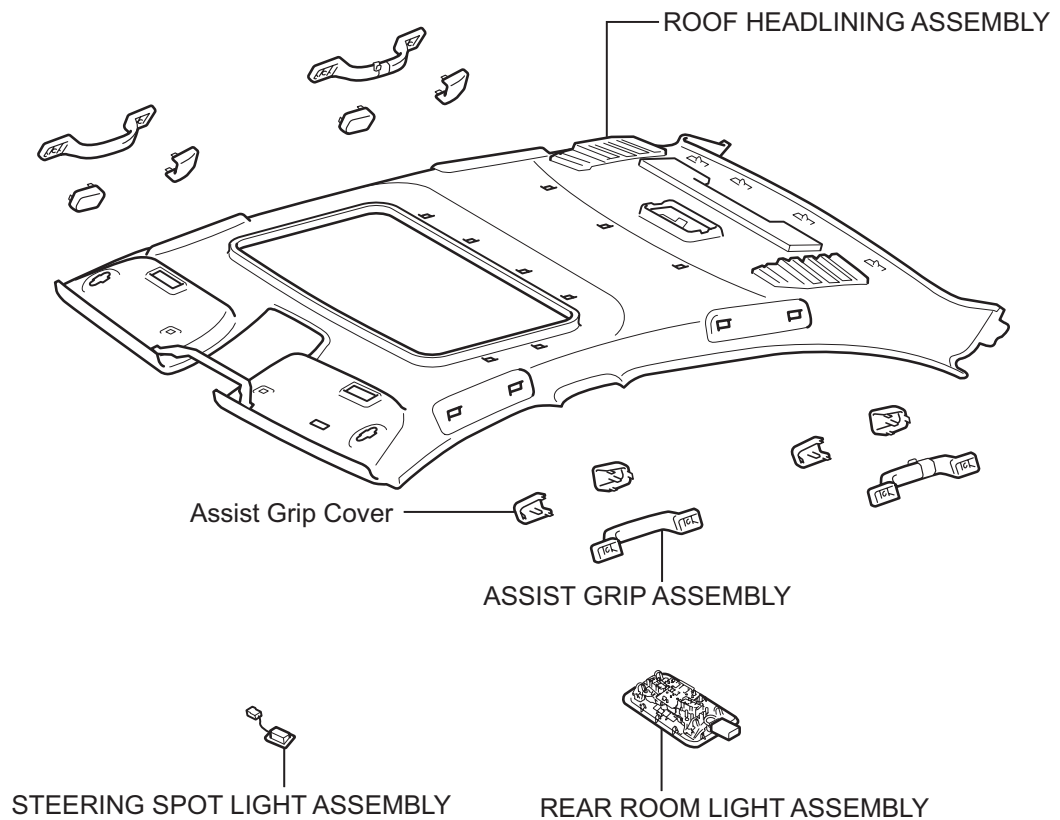
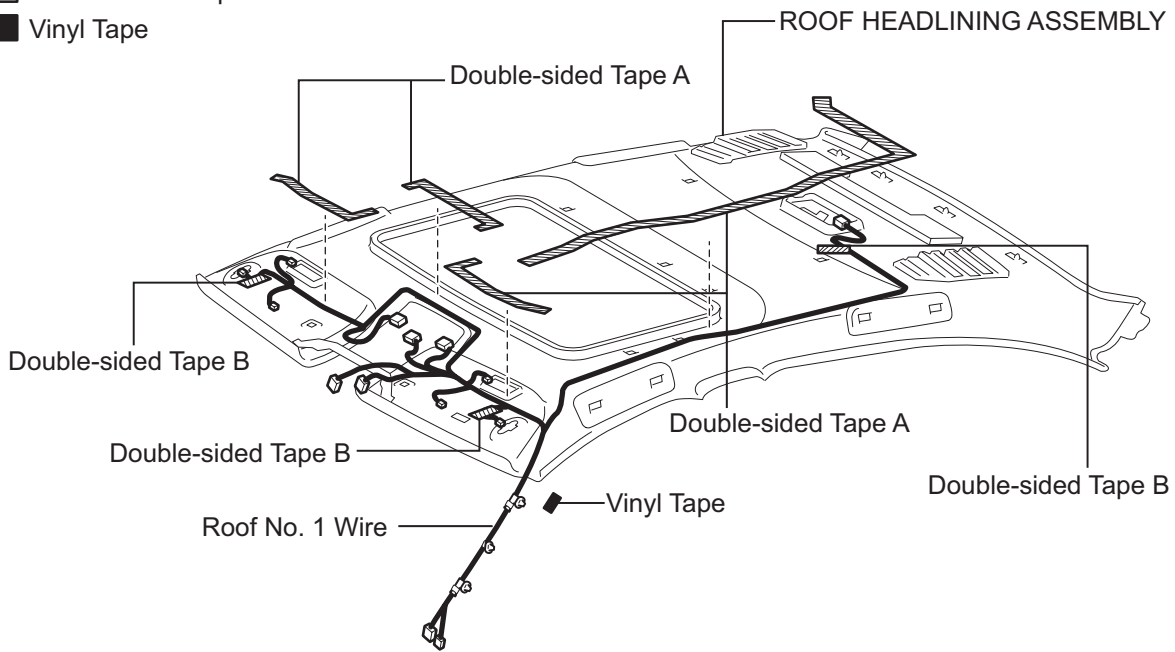
Without Sliding Roof

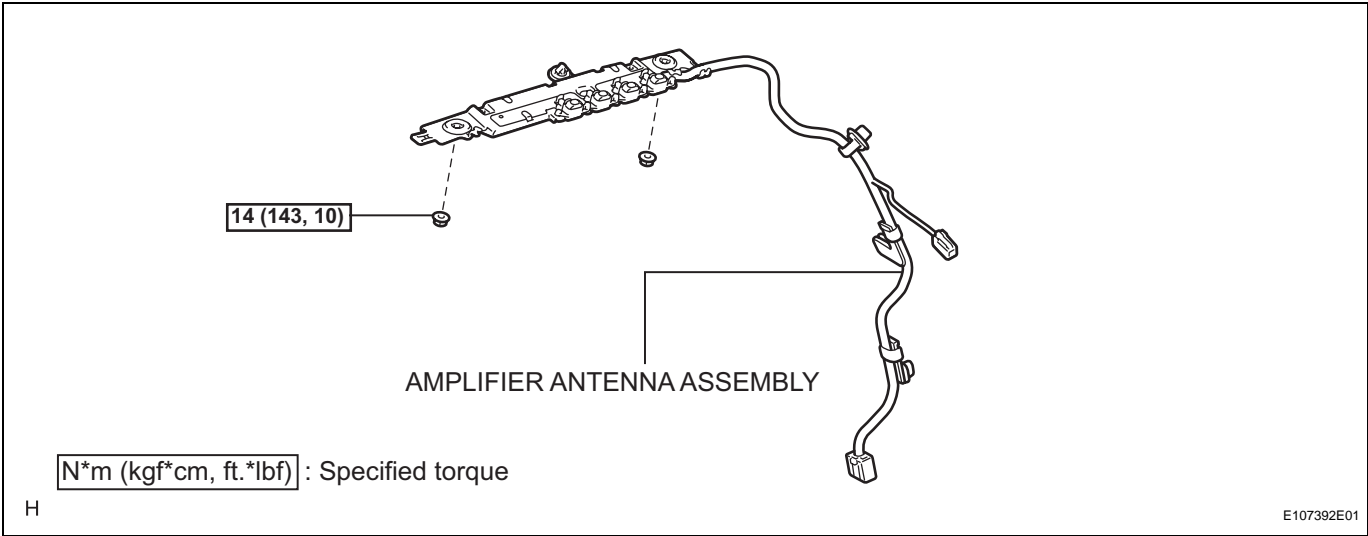
-  Double-sided Tape A
-  Double-sided Tape B
-  Vinyl Tape



With Sliding Roof

-  Double-sided Tape A
-  Double-sided Tape B
-  Vinyl Tape



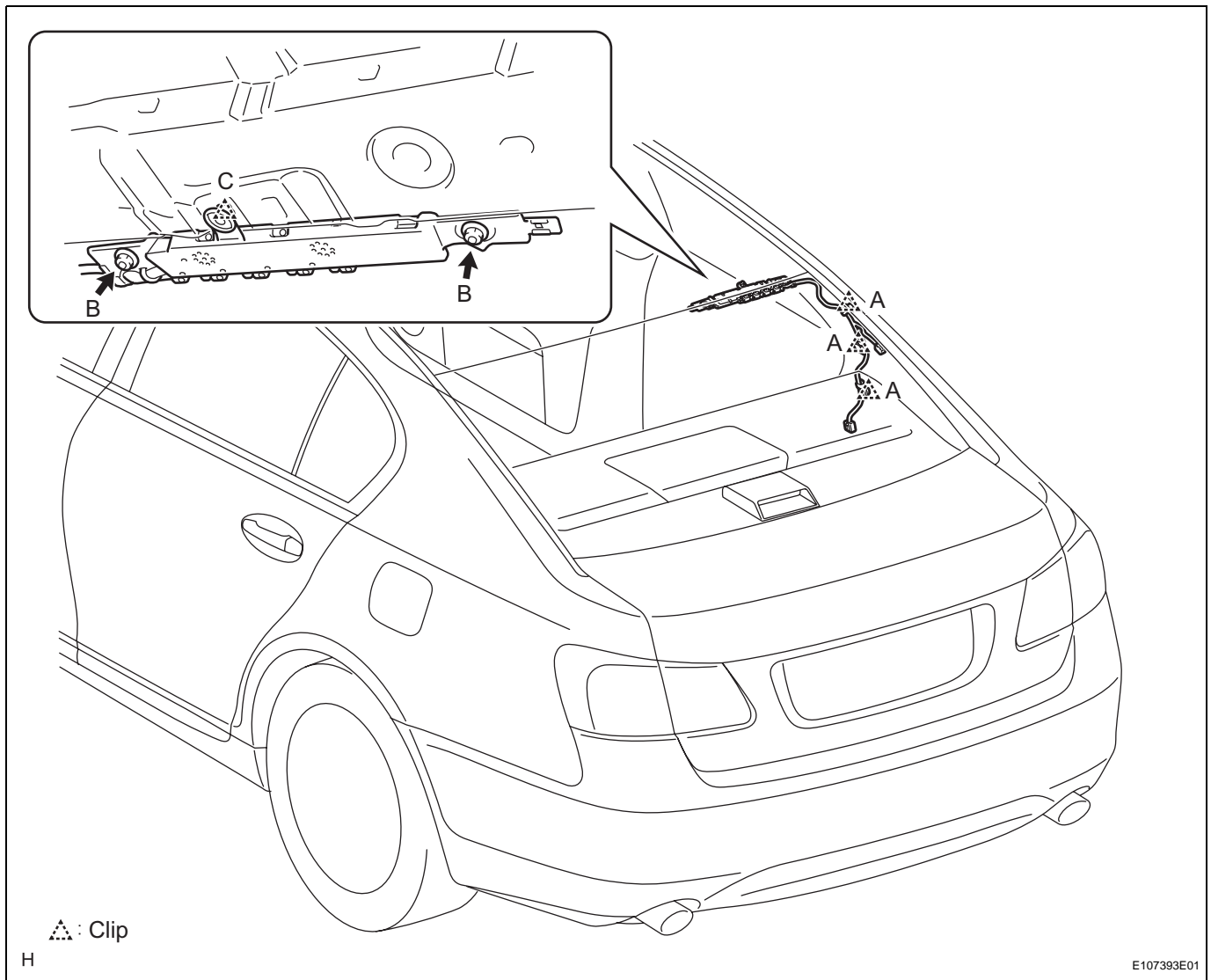


REMOVAL

1. DISCONNECT CABLE FROM NEGATIVE BATTERY TERMINAL
CAUTION:
Wait at least 90 seconds after disconnecting the cable from the negative (-) battery terminal to prevent airbag and seat belt pretensioner activation.
2. DISCONNECT FRONT SEAT OUTER BELT ASSEMBLY LH (See page [SB-25](#))
3. REMOVE FRONT SEAT ASSEMBLY (See page [SE-84](#))
4. REMOVE REAR SEAT CUSHION ASSEMBLY (See page [SE-106](#))
5. REMOVE REAR SEAT HEADREST ASSEMBLY LH AND RH
6. REMOVE REAR SEAT HEADREST ASSEMBLY CENTER
7. REMOVE REAR SEATBACK ASSEMBLY (See page [SE-106](#))
8. REMOVE FRONT CONSOLE UPPER PANEL GARNISH (See page [IP-9](#))
9. REMOVE CONSOLE UPPER PANEL ASSEMBLY (See page [IP-9](#))
10. REMOVE INSTRUMENT PANEL FINISH PANEL END LH (See page [IP-10](#))
11. REMOVE INSTRUMENT PANEL FINISH PANEL END RH (See page [IP-10](#))
12. REMOVE CONSOLE BOX PLATE (See page [IP-10](#))
13. REMOVE CONSOLE BOX REGISTER ASSEMBLY (See page [IP-10](#))
14. REMOVE CONSOLE BOX (See page [IP-11](#))
15. REMOVE FRONT DOOR SCUFF PLATE LH (See page [IR-33](#))
16. REMOVE FRONT DOOR SCUFF PLATE RH (See page [IR-33](#))
17. REMOVE FRONT DOOR OPENING TRIM COVER LH (See page [IR-33](#))
18. REMOVE FRONT DOOR OPENING TRIM COVER RH (See page [IR-33](#))
19. REMOVE FRONT PILLAR GARNISH LH (See page [IR-33](#))
20. REMOVE FRONT PILLAR GARNISH RH (See page [IR-34](#))
21. REMOVE REAR DOOR SCUFF PLATE LH (See page [IR-34](#))

22. REMOVE REAR DOOR SCUFF PLATE RH (See page [IR-34](#))
23. REMOVE CENTER PILLAR GARNISH LOWER LH (See page [IR-34](#))
24. REMOVE CENTER PILLAR GARNISH LOWER RH (See page [IR-34](#))
25. REMOVE CENTER PILLAR GARNISH LH (See page [IR-35](#))
26. REMOVE CENTER PILLAR GARNISH RH (See page [IR-35](#))
27. REMOVE REAR SEAT SIDE GARNISH LH (See page [IR-35](#))
28. REMOVE REAR SEAT SIDE GARNISH RH (See page [IR-35](#))
29. REMOVE ROOF SIDE GARNISH INNER LH (See page [IR-35](#))
30. REMOVE ROOF SIDE GARNISH INNER RH (See page [IR-35](#))
31. REMOVE INNER REAR VIEW MIRROR COVER (See page [IR-36](#))
32. REMOVE FRONT ROOF TOP GARNISH (See page [IR-36](#))
33. REMOVE PERSONAL LIGHT ASSEMBLY (See page [IR-37](#))
34. REMOVE INNER REAR VIEW MIRROR ASSEMBLY (See page [MI-60](#))
35. REMOVE REAR ROOM LIGHT ASSEMBLY (See page [IR-37](#))
36. REMOVE ASSIST GRIP ASSEMBLY (See page [IR-37](#))
37. REMOVE STEERING SPOT LIGHT ASSEMBLY (See page [IR-37](#))
38. REMOVE VISOR BRACKET COVER (See page [IR-38](#))
39. REMOVE LH VISOR ASSEMBLY (See page [IR-38](#))
40. REMOVE RH VISOR ASSEMBLY (See page [IR-38](#))
41. REMOVE VISOR HOLDER (See page [IR-38](#))
42. REMOVE ROOF HEADLINING ASSEMBLY (See page [IR-38](#))

43. REMOVE AMPLIFIER ANTENNA ASSEMBLY



- (a) Disconnect the connectors.
- (b) Detach the 3 clips labeled A and remove the 2 nuts labeled B.
- (c) Detach the clip labeled C and remove the amplifier antenna.

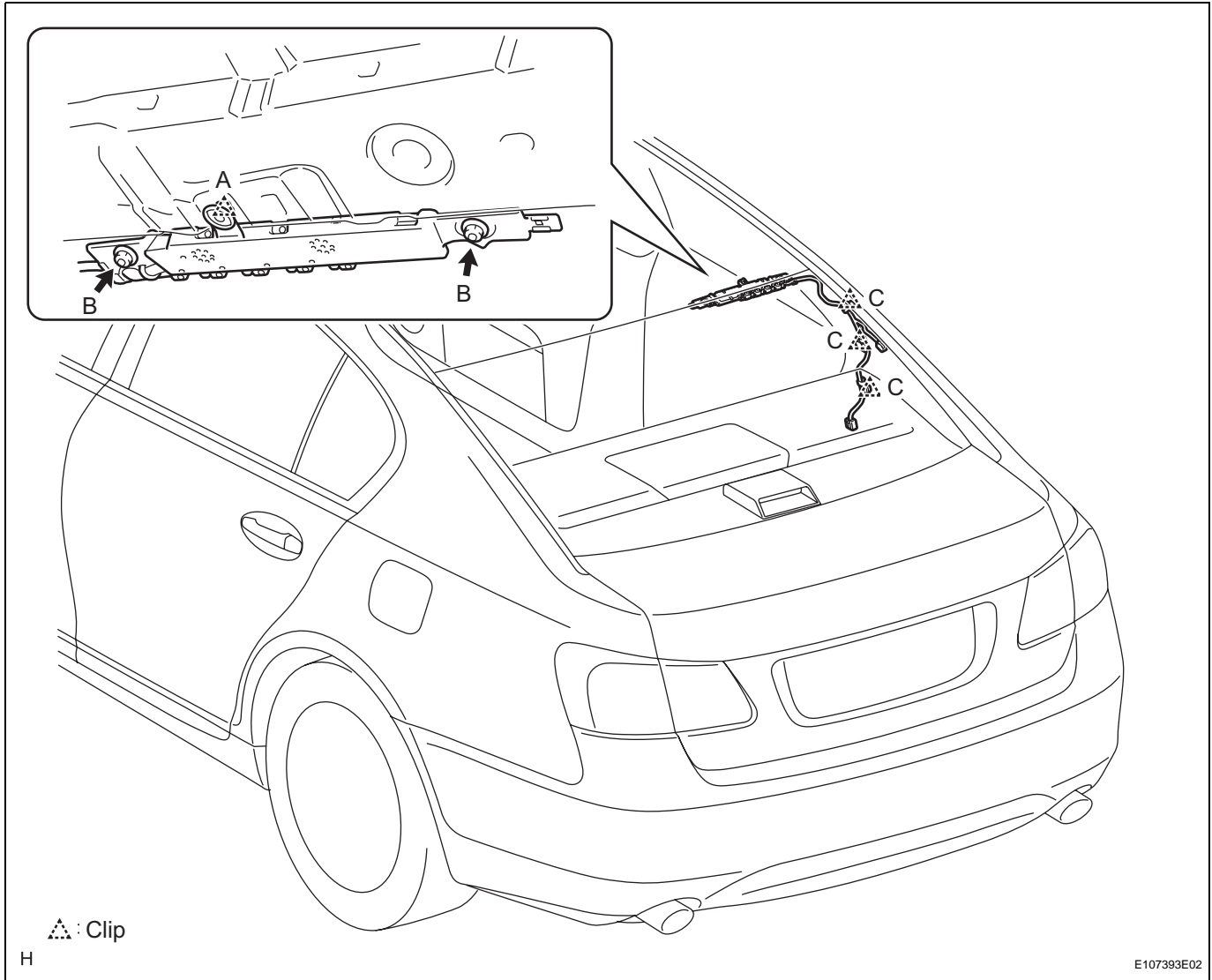
INSTALLATION

1. INSTALL AMPLIFIER ANTENNA ASSEMBLY

- (a) Use white gasoline to clean the area on the glass where the antenna will be installed.

NOTICE:

Do not use white gasoline to clean the antenna's contact points. Doing so may cause improper contact between the antenna and glass.



- (b) Temporarily install the antenna with the clip labeled A, and then install the antenna with the 2 nuts labeled B.

Torque: 14 N*m (143 kgf*cm, 10 ft.*lbf)

NOTICE:

- Just before installing the antenna to the glass, remove the protective cover of the antenna's contact points.
- When removing the protective cover of the antenna's contact points, make sure the cover does not touch the contact points.
- Never touch the contact points after removing the protective cover.

- After removing the protective cover, return it to the manufacturer for recycling.
 - Do not reuse the clip labeled A.
- (c) Attach the 3 clips labeled C.
- (d) Connect the connectors.
2. **INSTALL ROOF HEADLINING ASSEMBLY** (See page [IR-43](#))
 3. **INSTALL VISOR HOLDER**
 4. **INSTALL LH VISOR ASSEMBLY** (See page [IR-44](#))
 5. **INSTALL RH VISOR ASSEMBLY** (See page [IR-44](#))
 6. **INSTALL VISOR BRACKET COVER** (See page [IR-44](#))
 7. **INSTALL STEERING SPOT LIGHT ASSEMBLY** (See page [IR-44](#))
 8. **INSTALL ASSIST GRIP ASSEMBLY**
 9. **INSTALL REAR ROOM LIGHT ASSEMBLY** (See page [IR-44](#))
 10. **INSTALL INNER REAR VIEW MIRROR ASSEMBLY** (See page [MI-62](#))
 11. **INSTALL PERSONAL LIGHT ASSEMBLY** (See page [IR-44](#))
 12. **INSTALL ROOF TOP GARNISH FRONT** (See page [IR-44](#))
 13. **INSTALL INNER REAR VIEW MIRROR COVER**
 14. **INSTALL ROOF SIDE GARNISH INNER LH** (See page [IR-45](#))
 15. **INSTALL ROOF SIDE GARNISH INNER RH** (See page [IR-45](#))
 16. **INSTALL REAR SEAT SIDE GARNISH LH** (See page [IR-45](#))
 17. **INSTALL REAR SEAT SIDE GARNISH RH** (See page [IR-45](#))
 18. **INSTALL CENTER PILLAR GARNISH LH** (See page [IR-45](#))
 19. **INSTALL CENTER PILLAR GARNISH RH** (See page [IR-45](#))
 20. **INSTALL CENTER PILLAR GARNISH LOWER LH** (See page [IR-45](#))
 21. **INSTALL CENTER PILLAR GARNISH LOWER RH** (See page [IR-45](#))
 22. **INSTALL REAR DOOR SCUFF PLATE LH** (See page [IR-45](#))
 23. **INSTALL REAR DOOR SCUFF PLATE RH** (See page [IR-45](#))

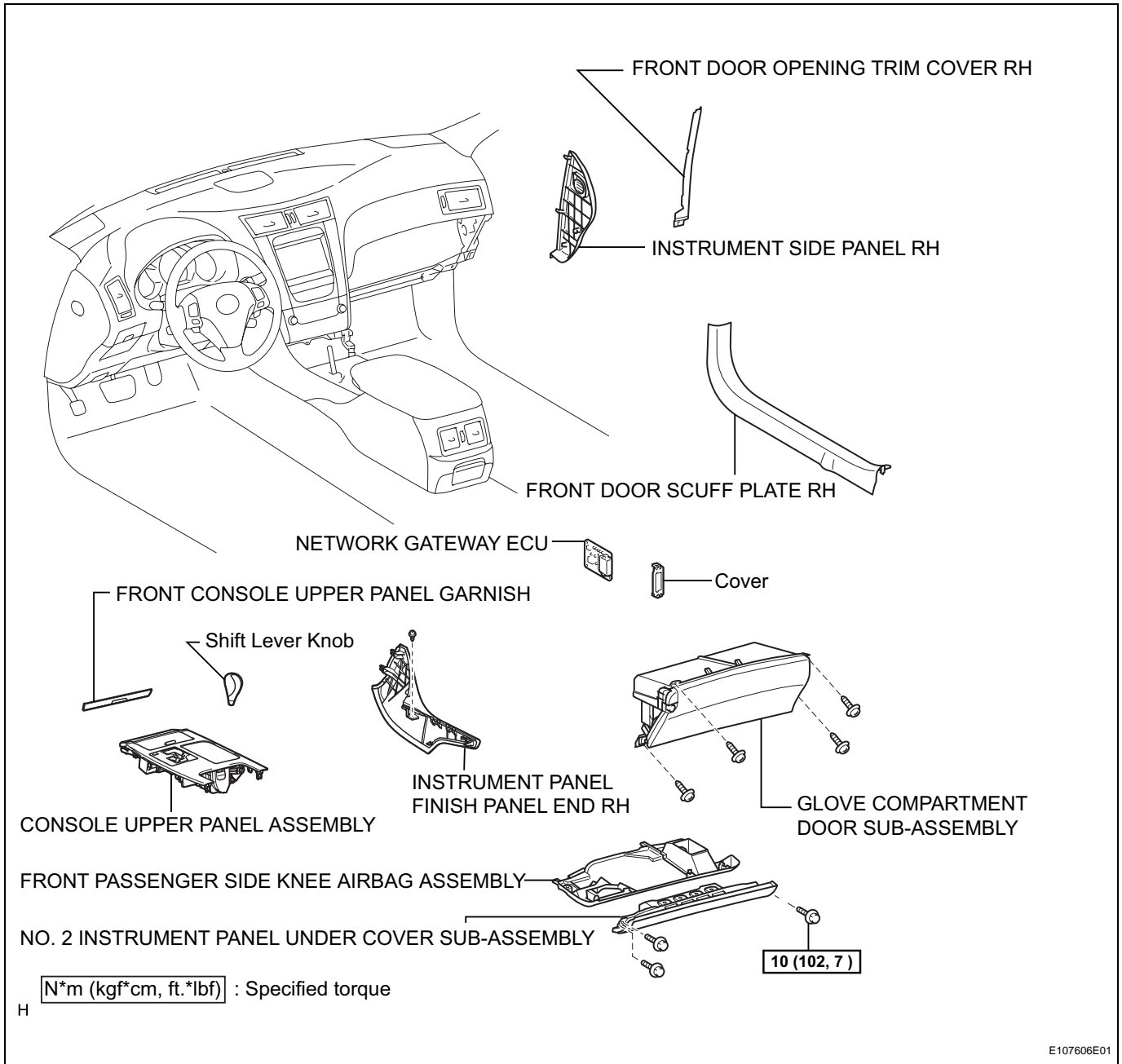
24. INSTALL FRONT PILLAR GARNISH LH (See page [IR-46](#))
25. INSTALL FRONT PILLAR GARNISH RH (See page [IR-46](#))
26. INSTALL FRONT DOOR OPENING TRIM COVER LH (See page [IR-46](#))
27. INSTALL FRONT DOOR OPENING TRIM COVER RH (See page [IR-46](#))
28. INSTALL FRONT DOOR SCUFF PLATE LH (See page [IR-46](#))
29. INSTALL FRONT DOOR SCUFF PLATE RH (See page [IR-46](#))
30. INSTALL CONSOLE BOX (See page [IP-25](#))
31. INSTALL CONSOLE BOX REGISTER ASSEMBLY (See page [IP-25](#))
32. INSTALL CONSOLE BOX PLATE (See page [IP-25](#))
33. INSTALL INSTRUMENT PANEL FINISH PANEL END LH (See page [IP-26](#))
34. INSTALL INSTRUMENT PANEL FINISH PANEL END RH (See page [IP-26](#))
35. INSTALL CONSOLE UPPER PANEL ASSEMBLY (See page [IP-26](#))
36. INSTALL FRONT CONSOLE UPPER PANEL GARNISH (See page [IP-27](#))
37. INSTALL REAR SEATBACK ASSEMBLY (See page [SE-112](#))
38. INSTALL REAR SEAT HEADREST ASSEMBLY CENTER
39. INSTALL REAR SEAT HEADREST ASSEMBLY LH AND RH
40. INSTALL REAR SEAT CUSHION ASSEMBLY (See page [SE-113](#))
41. INSTALL FRONT SEAT ASSEMBLY (See page [SE-101](#))
42. CONNECT FRONT SEAT OUTER BELT ASSEMBLY LH (See page [SB-28](#))
43. CONNECT CABLE TO NEGATIVE BATTERY TERMINAL
44. PERFORM INITIALIZATION
 - (a) Perform initialization (See page [IN-37](#)).

NOTICE:
Certain systems need to be initialized after disconnecting and reconnecting the cable from the negative (-) battery terminal.

- 45. INSPECT FRONT POWER SEAT CONTROL SYSTEM**
 - (a) Inspect front power seat control system (See page [SE-6](#)).
 - (b) Inspect front power seat control system (w/ seat position memory system) (See page [SE-28](#)).
- 46. INSPECT SEAT HEATER CONTROL**
 - (a) Inspect seat heater control (See page [SE-144](#)).
- 47. INSPECT CLIMATE CONTROL SEAT SYSTEM**
 - (a) Inspect climate control seat system (See page [SE-76](#)).
- 48. INSPECT SEAT BELT WARNING SYSTEM**
 - (a) Inspect seat belt warning system (See page [SB-16](#)).

NETWORK GATEWAY ECU

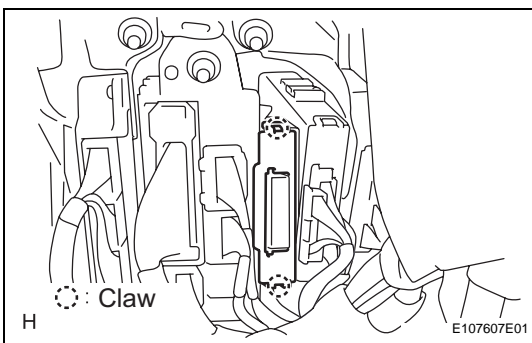
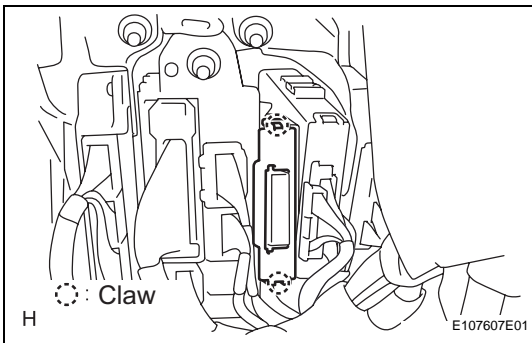
COMPONENTS



E107606E01

REMOVAL

1. **DISCONNECT CABLE FROM NEGATIVE BATTERY TERMINAL**
CAUTION:
 Wait at least 90 seconds after disconnecting the cable from the negative (-) battery terminal to prevent airbag and seat belt pretensioner activation.
2. **REMOVE FRONT CONSOLE UPPER PANEL GARNISH** (See page [IP-9](#))
3. **REMOVE CONSOLE UPPER PANEL ASSEMBLY** (See page [IP-9](#))
4. **REMOVE INSTRUMENT PANEL FINISH PANEL END RH** (See page [IP-10](#))
5. **REMOVE FRONT DOOR SCUFF PLATE RH** (See page [IR-33](#))
6. **REMOVE FRONT DOOR OPENING TRIM COVER RH** (See page [IR-33](#))
7. **REMOVE INSTRUMENT SIDE PANEL RH** (See page [IP-11](#))
8. **REMOVE NO. 2 INSTRUMENT PANEL UNDER COVER SUB-ASSEMBLY** (See page [IP-13](#))
9. **REMOVE FRONT PASSENGER SIDE KNEE AIRBAG ASSEMBLY** (See page [RS-299](#))
10. **REMOVE GLOVE COMPARTMENT DOOR SUB-ASSEMBLY** (See page [IP-13](#))
11. **REMOVE NETWORK GATEWAY ECU**
 - (a) Disconnect the connector.
 - (b) Detach the 2 claws and remove the cover.
 - (c) Remove the ECU.



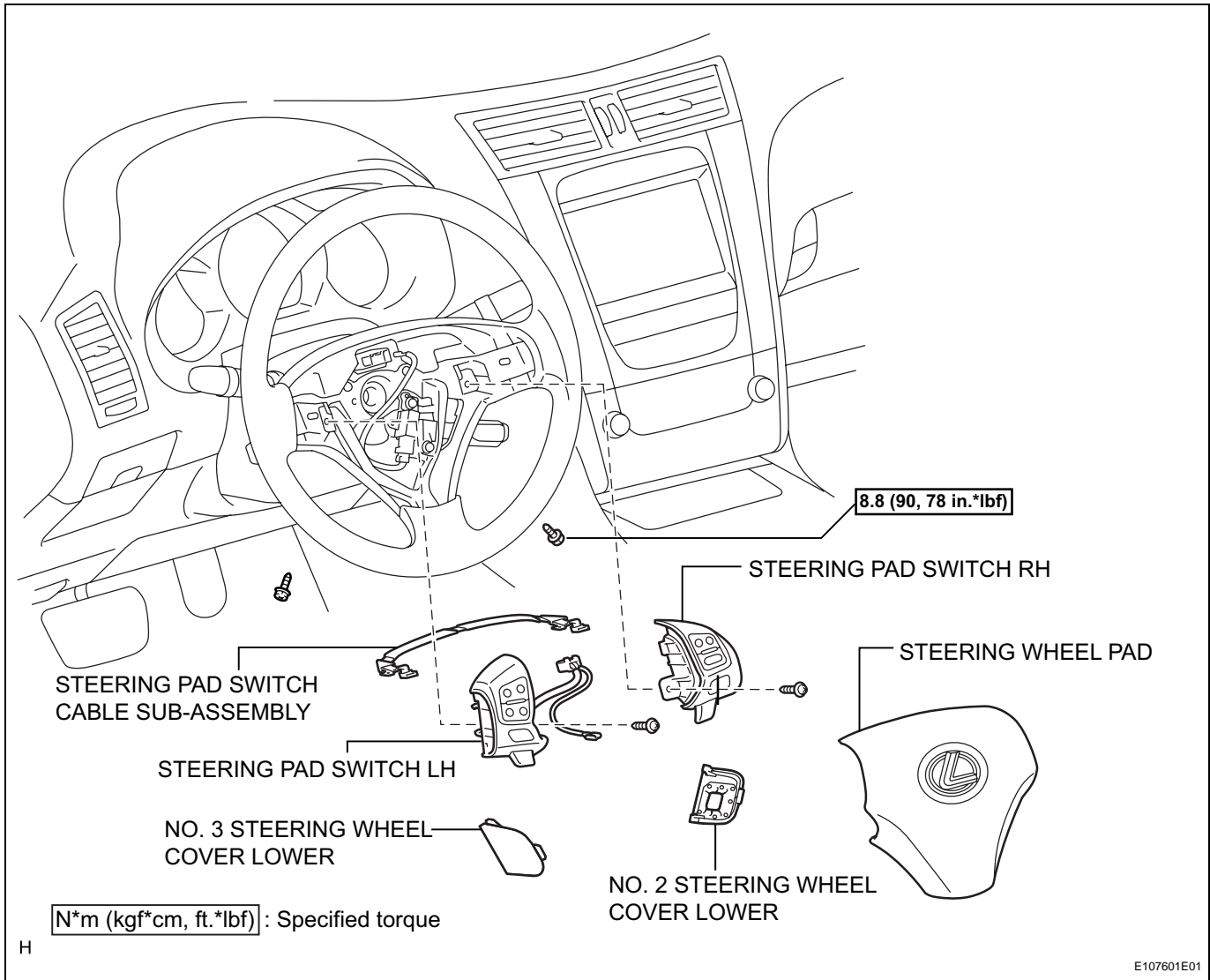
INSTALLATION

1. **INSTALL NETWORK GATEWAY ECU**
 - (a) Install the ECU.
 - (b) Attach the 2 claws to install the cover.
 - (c) Connect the connector.
2. **INSTALL GLOVE COMPARTMENT DOOR SUB-ASSEMBLY** (See page [IP-22](#))
3. **INSTALL FRONT PASSENGER SIDE KNEE AIRBAG ASSEMBLY** (See page [RS-299](#))
4. **INSTALL NO. 2 INSTRUMENT PANEL UNDER COVER SUB-ASSEMBLY** (See page [IP-22](#))

5. **INSTALL INSTRUMENT SIDE PANEL RH** (See page [IP-24](#))
6. **INSTALL FRONT DOOR OPENING TRIM COVER RH** (See page [IR-46](#))
7. **INSTALL FRONT DOOR SCUFF PLATE RH** (See page [IR-46](#))
8. **INSTALL INSTRUMENT PANEL FINISH PANEL END RH** (See page [IP-26](#))
9. **INSTALL CONSOLE UPPER PANEL ASSEMBLY** (See page [IP-26](#))
10. **INSTALL FRONT CONSOLE UPPER PANEL GARNISH** (See page [IP-27](#))
11. **CONNECT CABLE TO NEGATIVE BATTERY TERMINAL**
12. **PERFORM INITIALIZATION**
 - (a) Perform initialization (See page [IN-37](#)).
NOTICE:
Certain systems need to be initialized after disconnecting and reconnecting the cable from the negative (-) battery terminal.
13. **CHECK SRS WARNING LIGHT**
 - (a) Check SRS warning light (See page [RS-1](#)).

STEERING PAD SWITCH

COMPONENTS



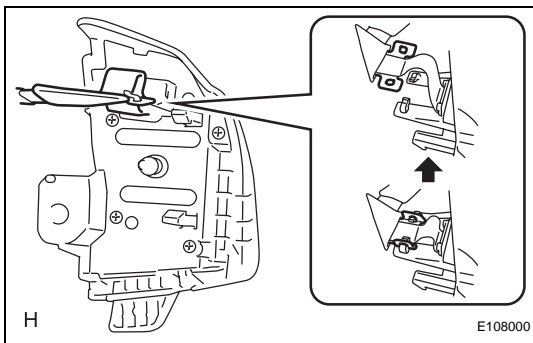
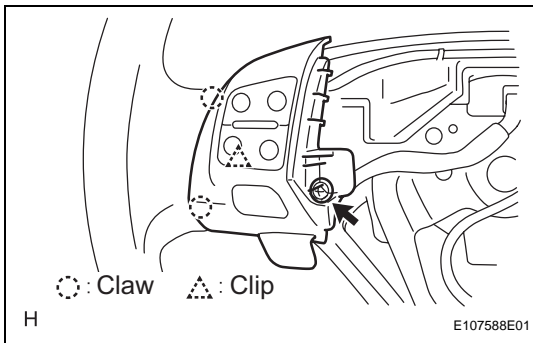
REMOVAL

1. DISCONNECT CABLE FROM NEGATIVE BATTERY TERMINAL

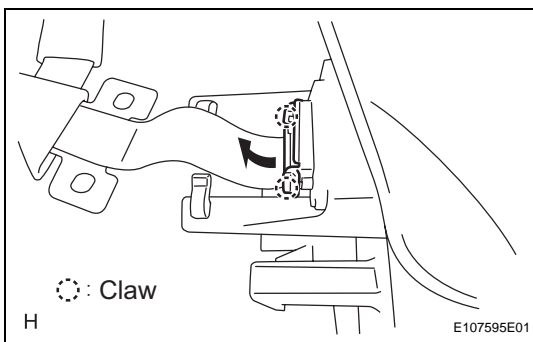
CAUTION:

Wait at least 90 seconds after disconnecting the cable from the negative (-) battery terminal to prevent airbag and seat belt pretensioner activation.

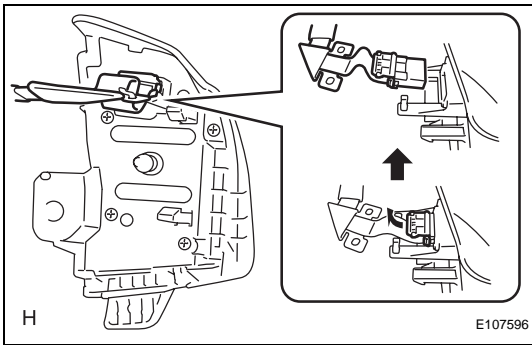
2. REMOVE NO. 2 STEERING WHEEL COVER LOWER (See page [RS-275](#))
3. REMOVE NO. 3 STEERING WHEEL COVER LOWER (See page [RS-275](#))
4. REMOVE STEERING WHEEL PAD (See page [RS-276](#))
5. REMOVE STEERING PAD SWITCH LH
 - (a) Disconnect the connectors.
 - (b) Remove the screw.
 - (c) Detach the clip and 2 claws and remove the switch.



- (d) Disconnect the steering pad switch cable's tab from the switch, as shown in the illustration.



- (e) Detach the 2 claws and raise the connector cover.

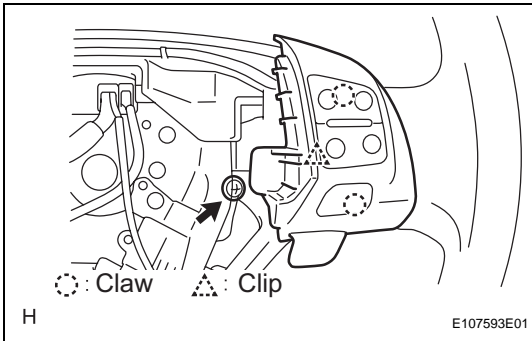


- (f) Hold the connector cover and disconnect the switch from the steering pad switch cable.

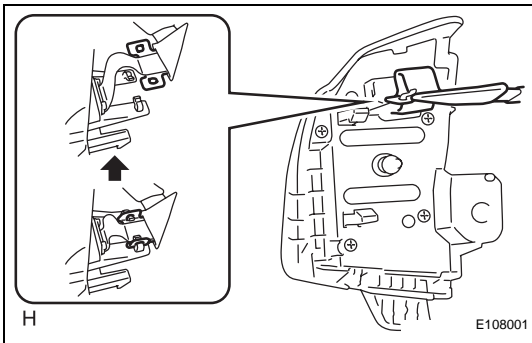
NOTICE:

When disconnecting the switch, do not pull the switch's wire harness.

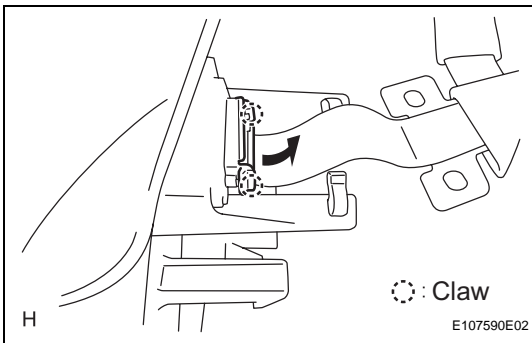
6. REMOVE STEERING PAD SWITCH RH



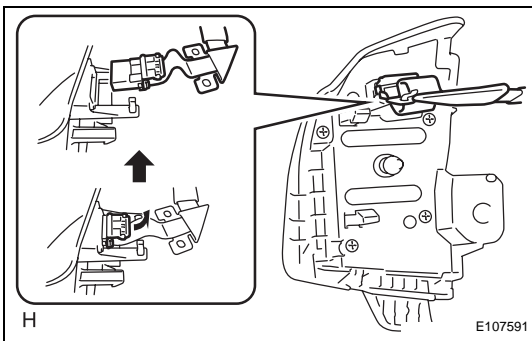
- (a) Remove the screw.
- (b) Detach the clip and 2 claws and remove the switch.



- (c) Disconnect the steering pad switch cable's tab from the switch, as shown in the illustration.



- (d) Detach the 2 claws and raise the connector cover.



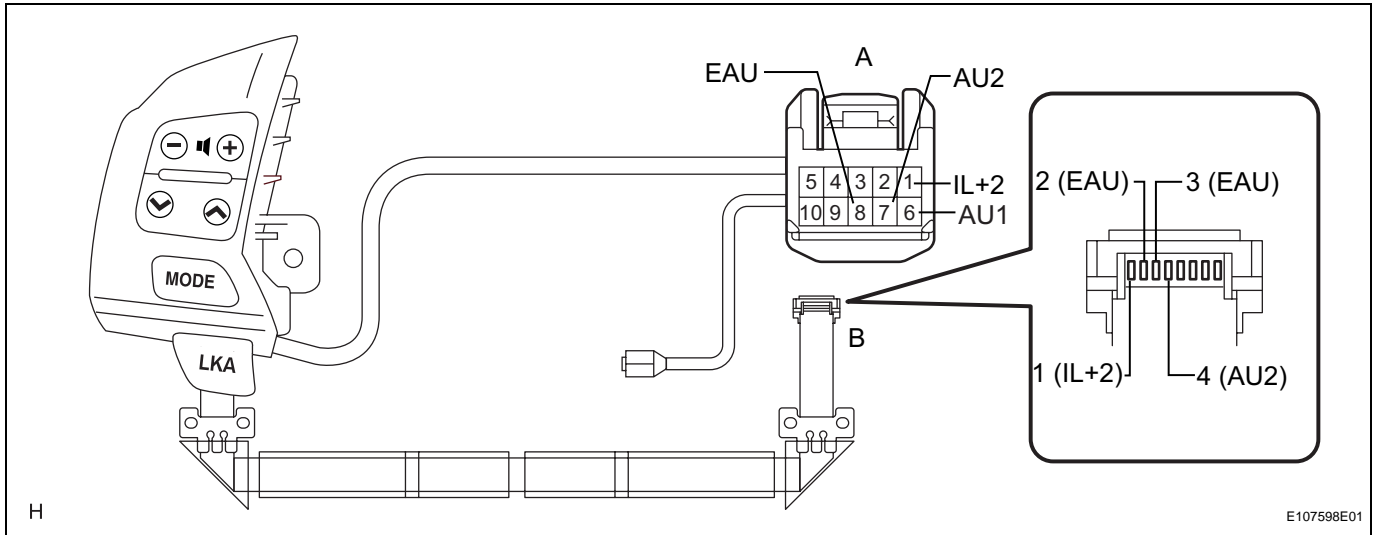
- (e) Hold the connector cover and disconnect the switch from the steering pad switch cable.

NOTICE:

When disconnecting the switch, do not pull the switch's wire harness.

INSPECTION

1. INSPECT STEERING PAD SWITCH LH



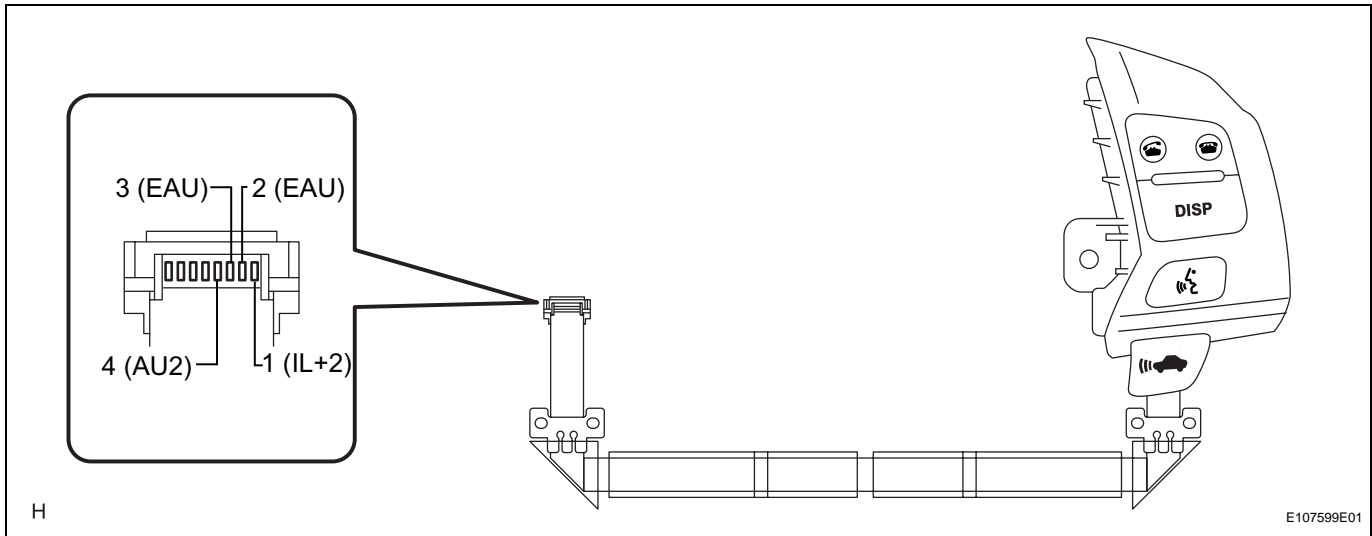
- (a) Measure the resistance of the switch connector.
HINT:
 Before the inspection, check that the steering pad switch cable is not malfunctioning.

Standard resistance

Tester Connection	Condition	Specified Condition
A-6 (AU1) - A-8 (EAU)	Not pushed	10 kΩ or higher
A-6 (AU1) - A-8 (EAU)	Pushed (SEEK+)	Below 1 Ω
A-6 (AU1) - A-8 (EAU)	Pushed (SEEK-)	0.3 kΩ
A-6 (AU1) - A-8 (EAU)	Pushed (VOL+)	1 kΩ
A-6 (AU1) - A-8 (EAU)	Pushed (VOL-)	3.2 kΩ
A-7 (AU2) - A-8 (EAU)	Not pushed	10 kΩ or higher
A-7 (AU2) - A-8 (EAU)	Pushed (MODE)	Below 1 Ω
A-1 (IL+2) - A-8 (EAU)	Always	Below 1 Ω
A-1 (IL+2) - B-1 (IL+2)	Always	Below 1 Ω
A-7 (AU2) - B-4 (AU2)	Always	Below 1 Ω
A-8 (EAU) - B-2 (EAU)	Always	Below 1 Ω
A-8 (EAU) - B-3 (EAU)	Always	Below 1 Ω

If the result is not as specified, replace the switch.

2. INSPECT STEERING PAD SWITCH RH



(a) Measure the resistance of the cable connector.

HINT:

Before the inspection, check that the steering pad switch cable is not malfunctioning.

Standard resistance

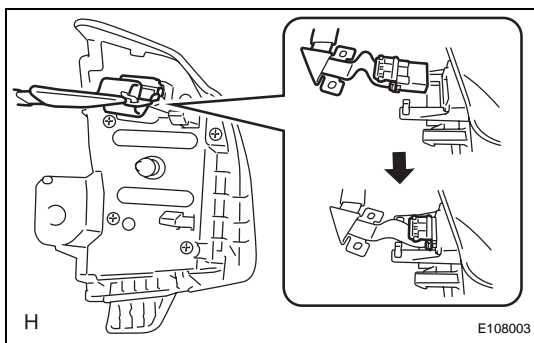
Tester Connection	Condition	Specified Condition
4 (AU2) - 2 (EAU)	Not pushed	10 kΩ or higher
4 (AU2) - 3 (EAU)	Not pushed	10 kΩ or higher
4 (AU2) - 2 (EAU)	Pushed (ON HOOK)	0.3 kΩ
4 (AU2) - 3 (EAU)	Pushed (ON HOOK)	0.3 kΩ
4 (AU2) - 2 (EAU)	Pushed (OFF HOOK)	1 kΩ
4 (AU2) - 3 (EAU)	Pushed (OFF HOOK)	1 kΩ
4 (AU2) - 2 (EAU)	Pushed (VOICE)	3.2 kΩ
4 (AU2) - 3 (EAU)	Pushed (VOICE)	3.2 kΩ
4 (AU2) - 2 (EAU)	Always	Below 1 Ω
4 (AU2) - 3 (EAU)	Always	Below 1 Ω

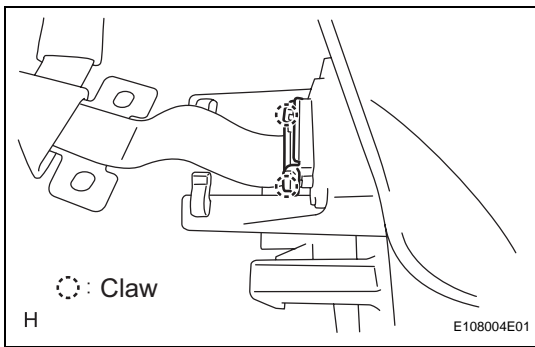
If the result is not as specified, replace the switch.

INSTALLATION

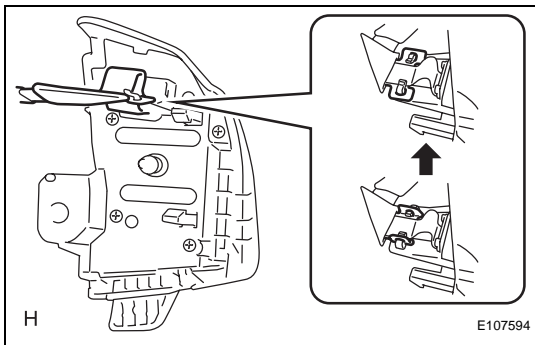
1. INSTALL STEERING PAD SWITCH LH

(a) Hold the connector cover and connect the switch to the steering pad switch cable.

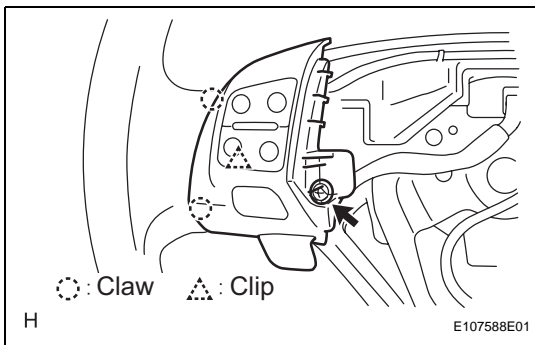




(b) Attach the 2 claws and close the connector cover.



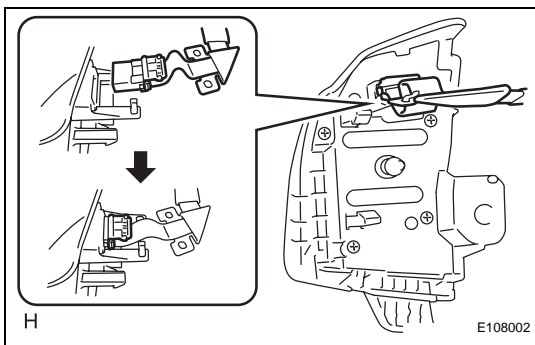
(c) Connect the steering pad switch cable's tab to the switch, as shown in the illustration.



(d) Attach the clip and 2 claws to install the switch.

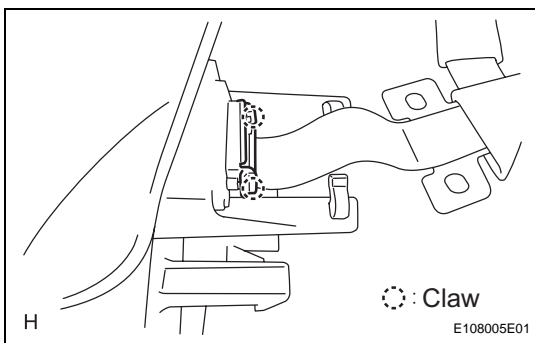
(e) Install the screw.

(f) Connect the connectors.

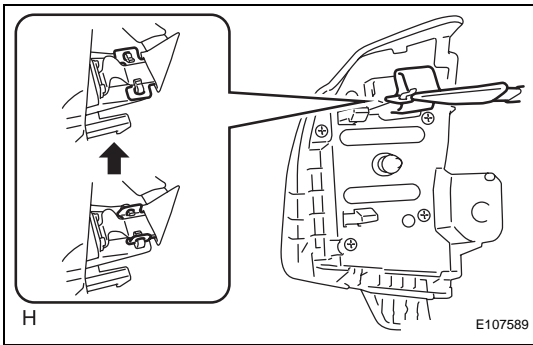


2. INSTALL STEERING PAD SWITCH RH

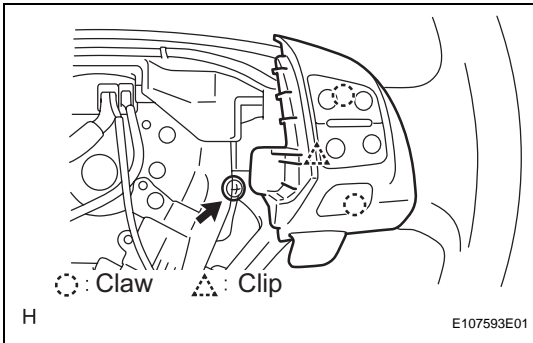
(a) Hold the connector cover and connect the switch to the steering pad switch cable.



(b) Attach the 2 claws and close the connector cover.



- (c) Attach the steering pad switch cable's tab to the switch, as shown in the illustration.

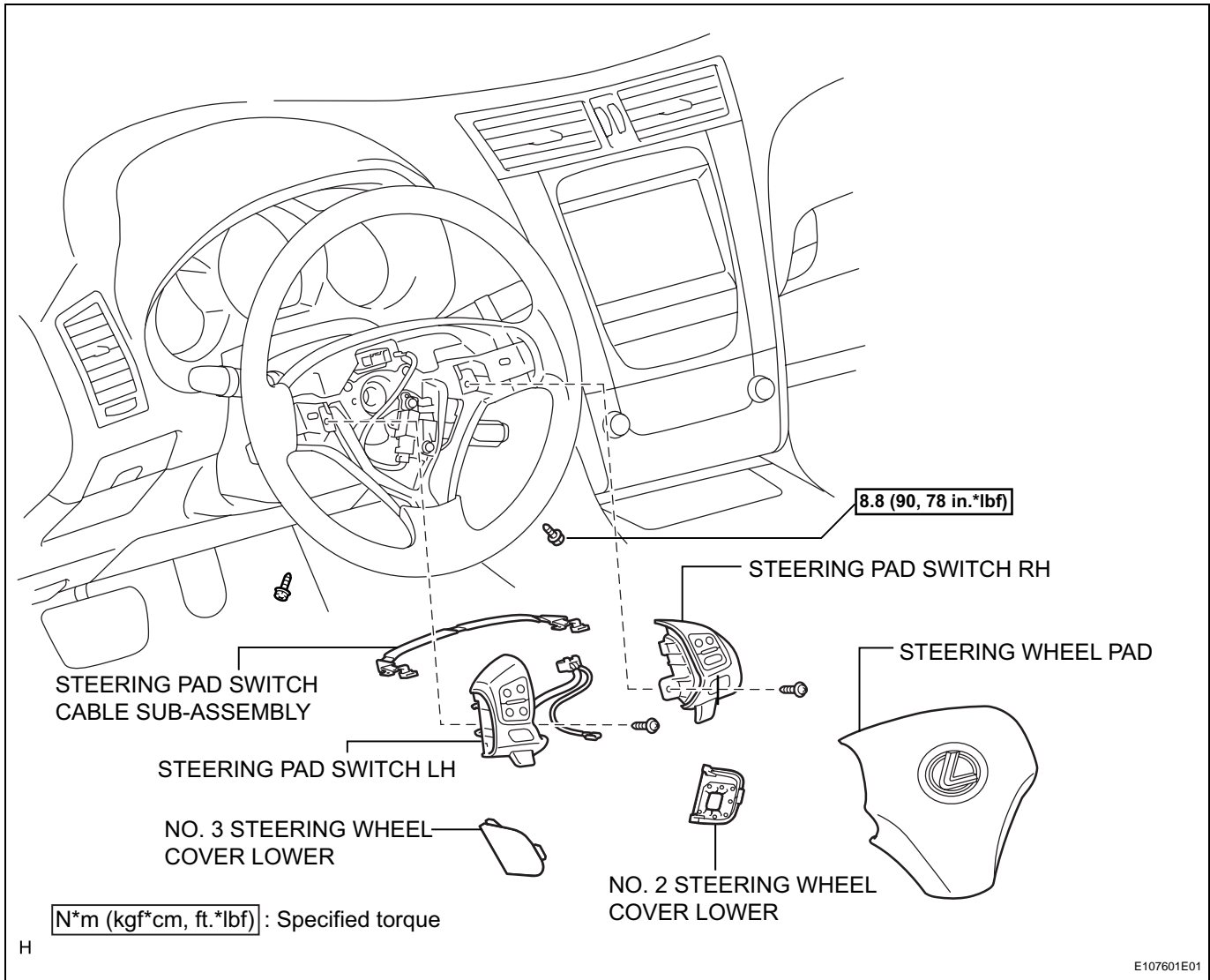


- (d) Attach the clip and 2 claws to install the switch.
 (e) Install the screw.

3. **INSTALL STEERING WHEEL PAD (See page [RS-276](#))**
4. **INSTALL NO. 2 STEERING WHEEL COVER LOWER**
5. **INSTALL NO. 3 STEERING WHEEL COVER LOWER**
6. **CONNECT CABLE TO NEGATIVE BATTERY TERMINAL**
7. **PERFORM INITIALIZATION**
 - (a) Perform initialization (See page [IN-37](#)).
NOTICE:
 Certain systems need to be initialized after disconnecting and reconnecting the cable from the negative (-) battery terminal.
8. **CHECK SRS WARNING LIGHT**
 - (a) Check SRS warning light (See page [RS-1](#)).

STEERING PAD SWITCH CABLE

COMPONENTS

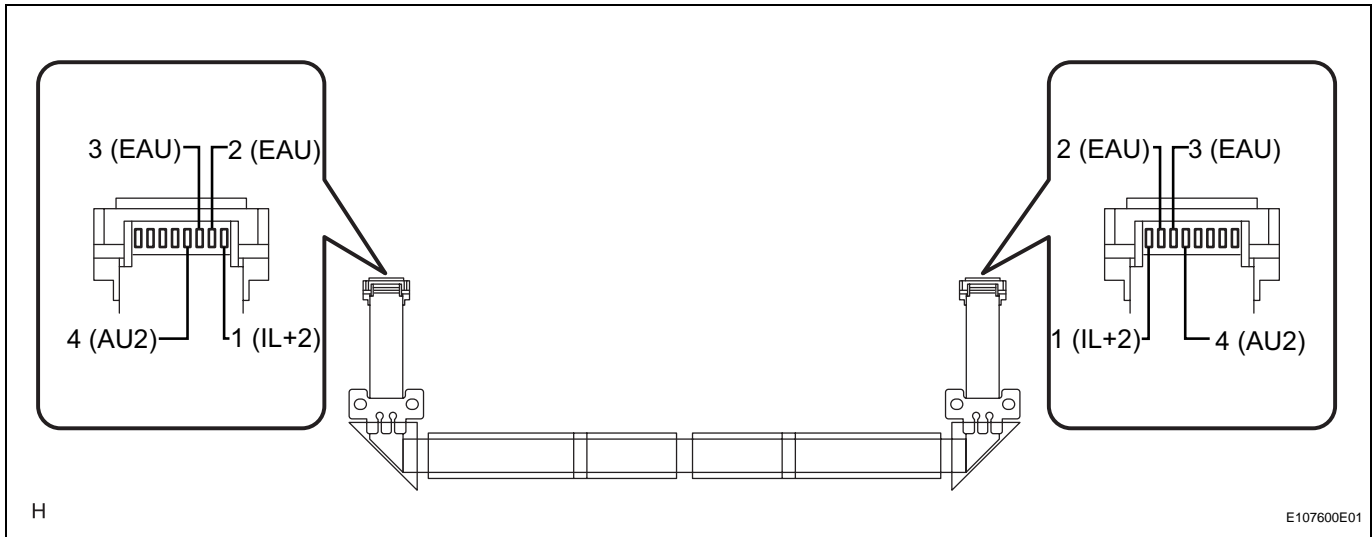


REMOVAL

1. DISCONNECT CABLE FROM NEGATIVE BATTERY TERMINAL
CAUTION:
Wait at least 90 seconds after disconnecting the cable from the negative (-) battery terminal to prevent airbag and seat belt pretensioner activation.
2. REMOVE NO. 2 STEERING WHEEL COVER LOWER (See page [RS-275](#))
3. REMOVE NO. 3 STEERING WHEEL COVER LOWER (See page [RS-275](#))
4. REMOVE STEERING WHEEL PAD (See page [RS-276](#))
5. REMOVE STEERING PAD SWITCH LH (See page [AV-263](#))
6. REMOVE STEERING PAD SWITCH RH (See page [AV-263](#))
7. REMOVE STEERING PAD SWITCH CABLE SUB-ASSEMBLY

INSPECTION

1. INSPECT STEERING PAD SWITCH CABLE SUB-ASSEMBLY



(a) Measure the resistance of the cable.

Standard resistance

Tester Connection	Specified Condition
1 (ILL+2) - 1 (ILL+2)	Below 1 Ω
4 (AU2) - 4 (AU2)	Below 1 Ω
2 (EAU) - 2 (EAU)	Below 1 Ω
3 (EAU) - 3 (EAU)	Below 1 Ω

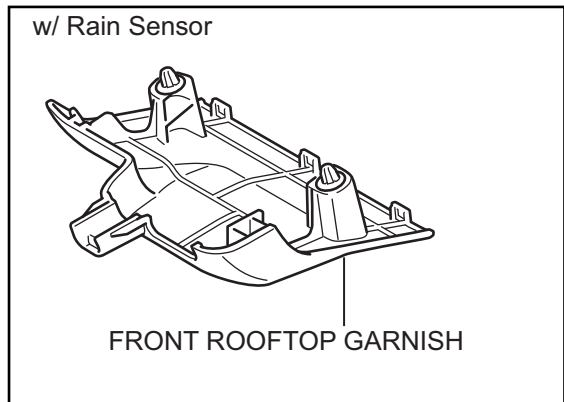
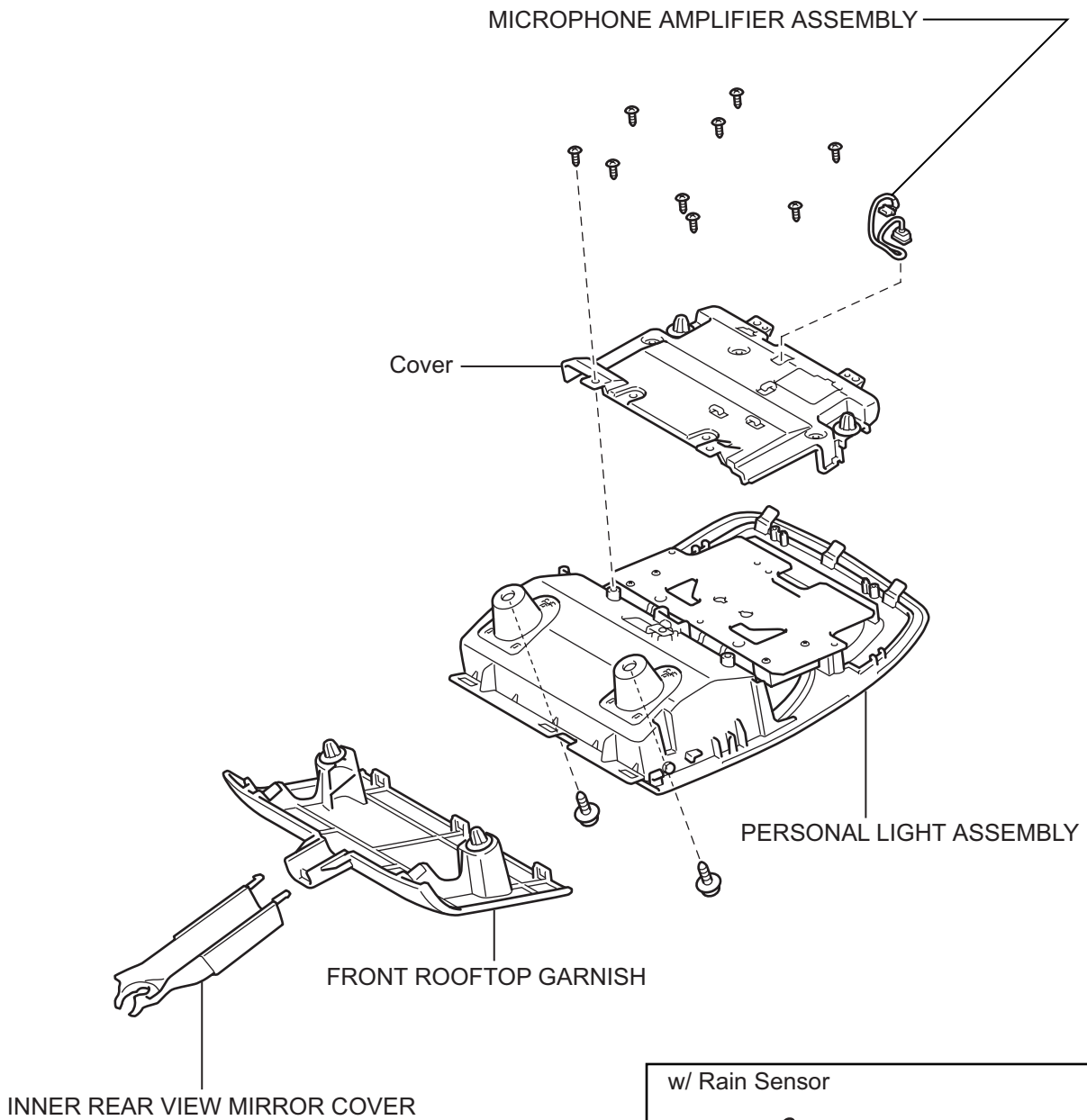
If the result is not as specified, replace the cable.

INSTALLATION

1. **INSTALL STEERING PAD SWITCH LH** (See page [AV-266](#))
2. **INSTALL STEERING PAD SWITCH RH** (See page [AV-266](#))
3. **INSTALL STEERING WHEEL PAD** (See page [RS-276](#))
4. **INSTALL NO. 2 STEERING WHEEL COVER LOWER**
5. **INSTALL NO. 3 STEERING WHEEL COVER LOWER**
6. **CONNECT CABLE TO NEGATIVE BATTERY TERMINAL**
7. **PERFORM INITIALIZATION**
 - (a) Perform initialization (See page [IN-37](#)).
NOTICE:
Certain systems need to be initialized after disconnecting and reconnecting the cable from the negative (-) battery terminal.
8. **CHECK SRS WARNING LIGHT**
 - (a) Check SRS warning light (See page [RS-1](#)).

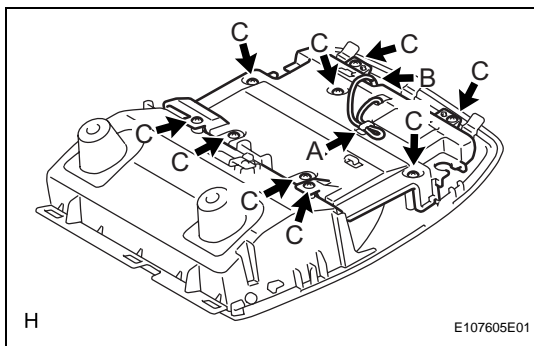
MICROPHONE AMPLIFIER

COMPONENTS

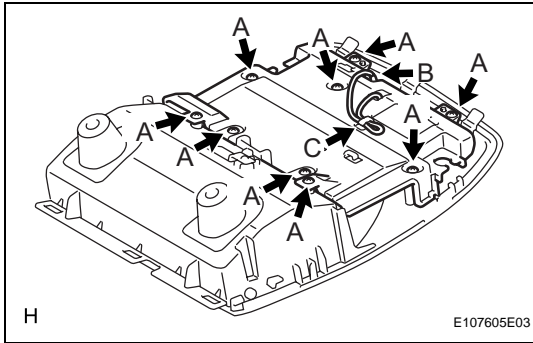


REMOVAL

1. **DISCONNECT CABLE FROM NEGATIVE BATTERY TERMINAL**
CAUTION:
Wait at least 90 seconds after disconnecting the cable from the negative (-) battery terminal to prevent airbag and seat belt pretensioner activation.
2. **REMOVE INNER REAR VIEW MIRROR COVER** (See page [IR-36](#))
3. **REMOVE FRONT ROOF TOP GARNISH** (See page [IR-36](#))
4. **REMOVE PERSONAL LIGHT ASSEMBLY** (See page [IR-37](#))
5. **REMOVE MICROPHONE AMPLIFIER ASSEMBLY**
 - (a) Remove the microphone amplifier cord from the cover labeled A.
 - (b) Disconnect the connector labeled B.
 - (c) Remove the 9 screws labeled C and cover.
 - (d) Remove the microphone amplifier.



INSTALLATION



1. **INSTALL MICROPHONE AMPLIFIER ASSEMBLY**
 - (a) Install the microphone amplifier to the map light.
 - (b) Install the cover to the map light with the 9 screws labeled A.
 - (c) Connect the connector labeled B.
 - (d) Install the microphone amplifier cord to the cover labeled C.
2. **INSTALL PERSONAL LIGHT ASSEMBLY (See page [IR-44](#))**
3. **INSTALL FRONT ROOF TOP GARNISH (See page [IR-44](#))**
4. **INSTALL INNER REAR VIEW MIRROR COVER**
5. **CONNECT CABLE TO NEGATIVE BATTERY TERMINAL**
6. **PERFORM INITIALIZATION**
 - (a) Perform initialization (See page [IN-37](#)).

NOTICE:

Certain systems need to be initialized after disconnecting and reconnecting the cable from the negative (-) battery terminal.

WINDOW GLASS ANTENNA WIRE

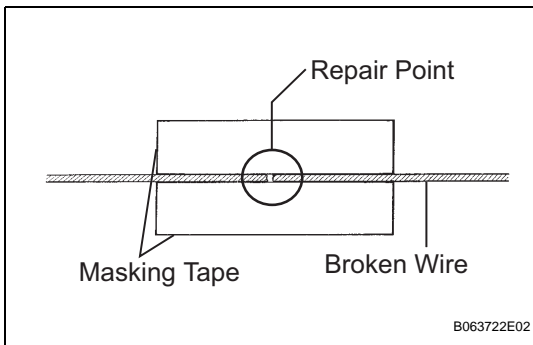
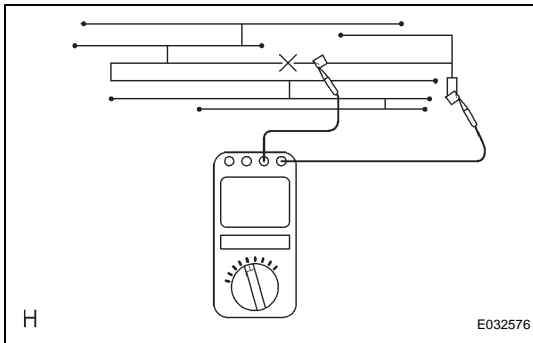
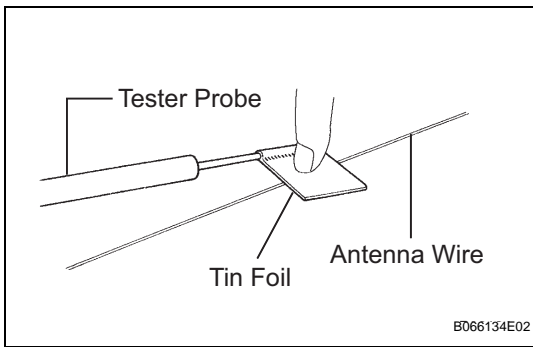
REPAIR

1. INSPECT WINDOW GLASS ANTENNA WIRE

NOTICE:

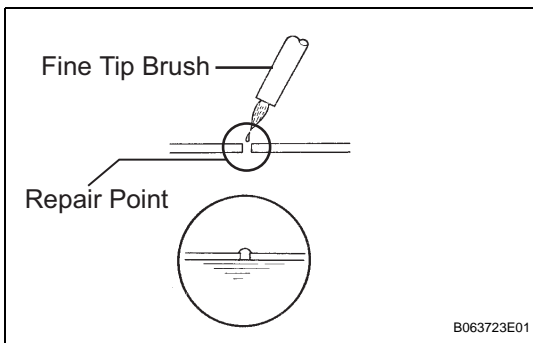
When cleaning the glass, use a soft, dry cloth, and wipe the glass in the direction of the wire. Take care not to damage the wires. Do not use detergents or glass cleaners with abrasive ingredients. When measuring voltage, wind a piece of tin foil around the top of the negative probe and press the foil against the wire with your finger, as shown in the illustration.

- (a) Check the voltage at the center of each wire, as shown in the illustration.



2. REPAIR WINDOW GLASS ANTENNA WIRE

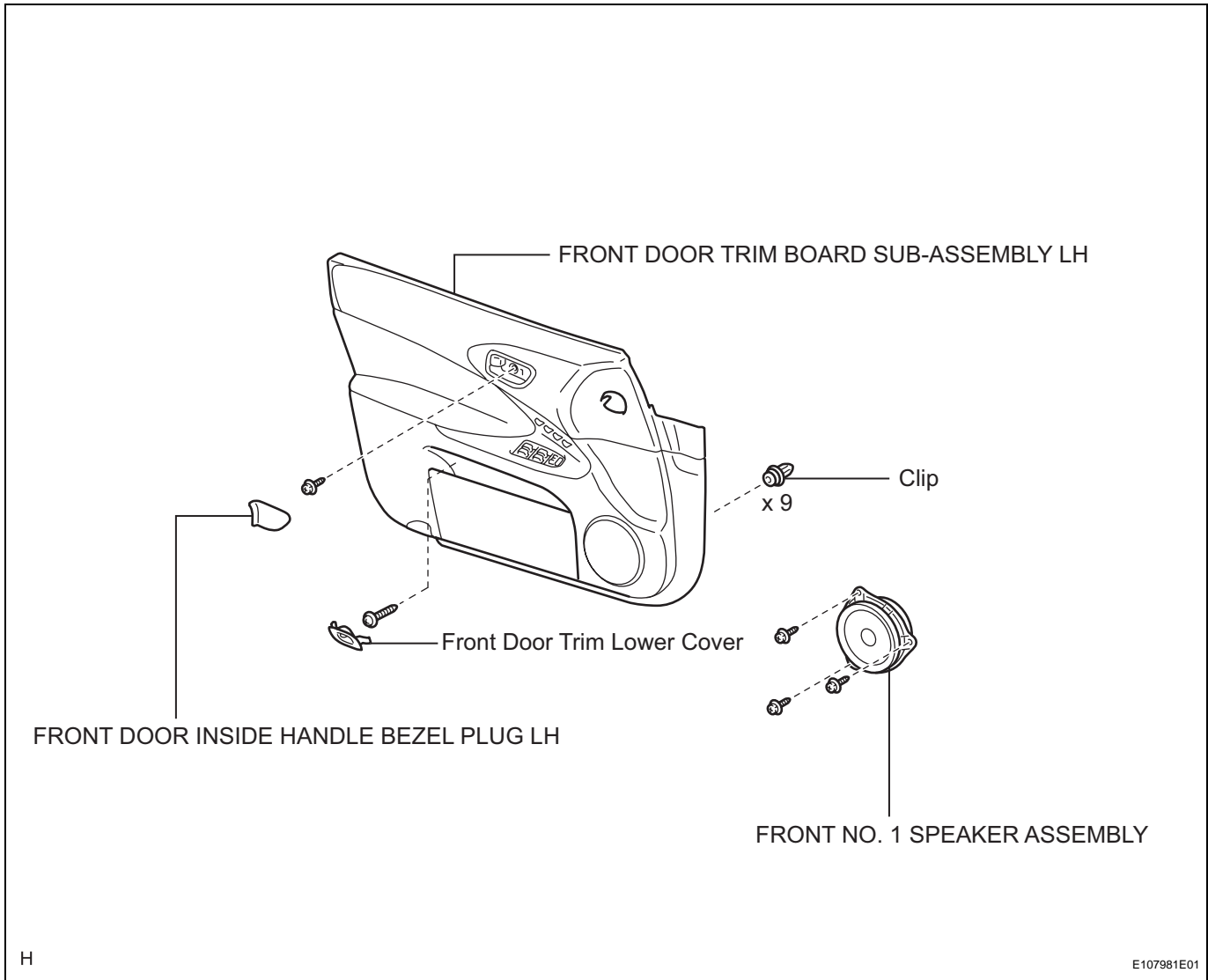
- (a) Clean the broken wire tips with the grease, wax and silicone remover.
 (b) Place the masking tape along both sides of the wire to be repaired.
 (c) Thoroughly mix the repair agent (Dupont paste No. 4817).



- (d) Using a fine tip brush, apply a small amount of the repair agent to the wire.
 (e) After a few minutes, remove the masking tape.
 (f) Do not repair the antenna wire for at least 24 hours.

FRONT NO. 1 SPEAKER

COMPONENTS



H

E107981E01

REMOVAL

HINT:

- Use the same procedures for the LH side and RH side.
- The procedures listed below are for the LH side.

1. DISCONNECT CABLE FROM NEGATIVE BATTERY TERMINAL

CAUTION:

Wait at least 90 seconds after disconnecting the cable from the negative (-) battery terminal to prevent airbag and seat belt pretensioner activation.

2. REMOVE FRONT DOOR INSIDE HANDLE BEZEL PLUG LH (See page [ED-66](#))

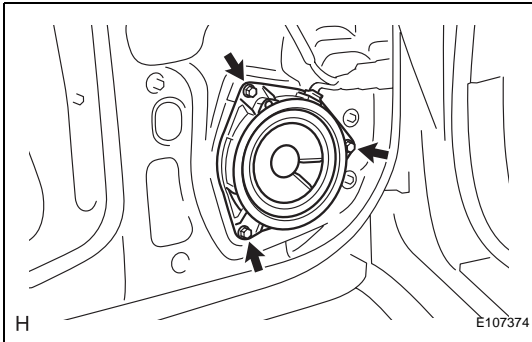
3. REMOVE FRONT DOOR TRIM BOARD SUB-ASSEMBLY LH (See page [ED-67](#))

4. REMOVE FRONT NO. 1 SPEAKER ASSEMBLY

- (a) Disconnect the connector.
- (b) Remove the 3 screws and speaker.

HINT:

Do not touch the cone part of the speaker.



INSPECTION

1. INSPECT FRONT NO. 1 SPEAKER ASSEMBLY

- (a) With the speaker installed, check that there is no looseness or other abnormalities.
- (b) Check that there is no foreign matter in the speaker, no tears on the speaker's cone part, or other abnormalities.
- (c) Measure the resistance of the speaker.

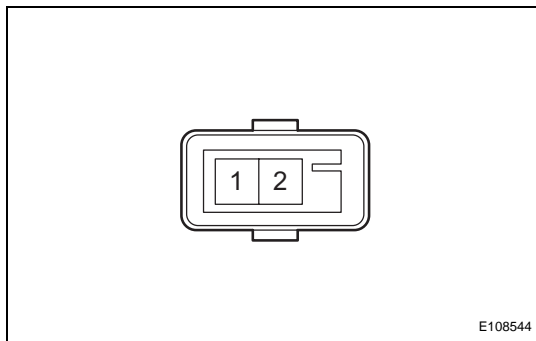
Standard resistance (Standard models)

Tester Connection	Specified Condition
1 - 2	4 Ω

Standard resistance (Mark Levinson models)

Tester Connection	Specified Condition
1 - 2	8 Ω

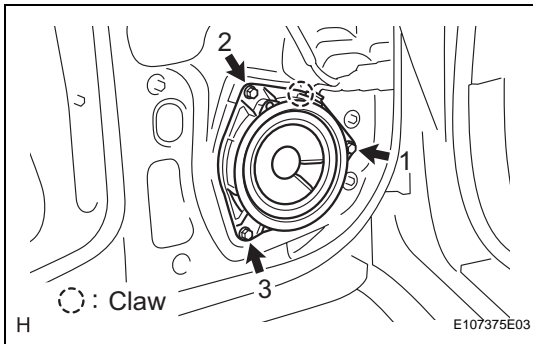
If the result is not as specified, replace the speaker assembly.



INSTALLATION

HINT:

- Use the same procedures for the LH side and RH side.
- The procedures listed below are for the LH side.



1. INSTALL FRONT NO. 1 SPEAKER ASSEMBLY

- (a) Temporarily install the speaker by attaching the claws of the speaker to the door panel.
- (b) Install the speaker with the 3 screws.

HINT:

- Install the screws in the order shown in the illustration.
- Do not touch the cone part of the speaker.

- (c) Connect the connector.

2. INSTALL FRONT DOOR TRIM BOARD SUB-ASSEMBLY LH (See page [ED-81](#))

3. INSTALL FRONT DOOR INSIDE HANDLE BEZEL PLUG LH (See page [ED-82](#))

4. CONNECT CABLE TO NEGATIVE BATTERY TERMINAL

5. PERFORM INITIALIZATION

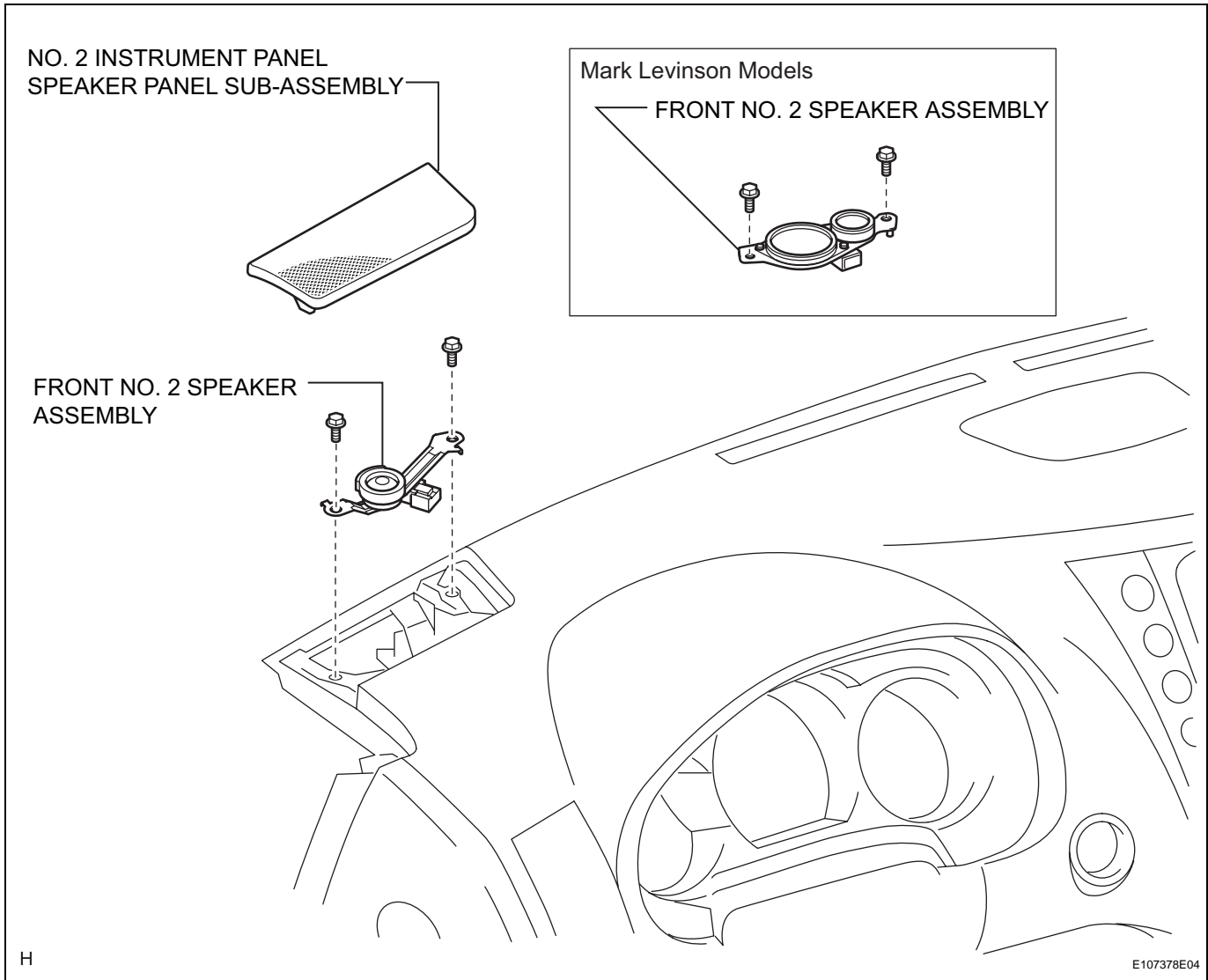
- (a) Perform initialization (See page [IN-37](#)).

NOTICE:

Certain systems need to be initialized after disconnecting and reconnecting the cable from the negative (-) battery terminal.

FRONT NO. 2 SPEAKER

COMPONENTS



REMOVAL

HINT:

- Use the same procedures for the LH side and RH side.
- The procedures listed below are for the LH side.

1. DISCONNECT CABLE FROM NEGATIVE BATTERY TERMINAL

CAUTION:

Wait at least 90 seconds after disconnecting the cable from the negative (-) battery terminal to prevent airbag and seat belt pretensioner activation.

2. REMOVE NO. 2 INSTRUMENT PANEL SPEAKER PANEL SUB-ASSEMBLY

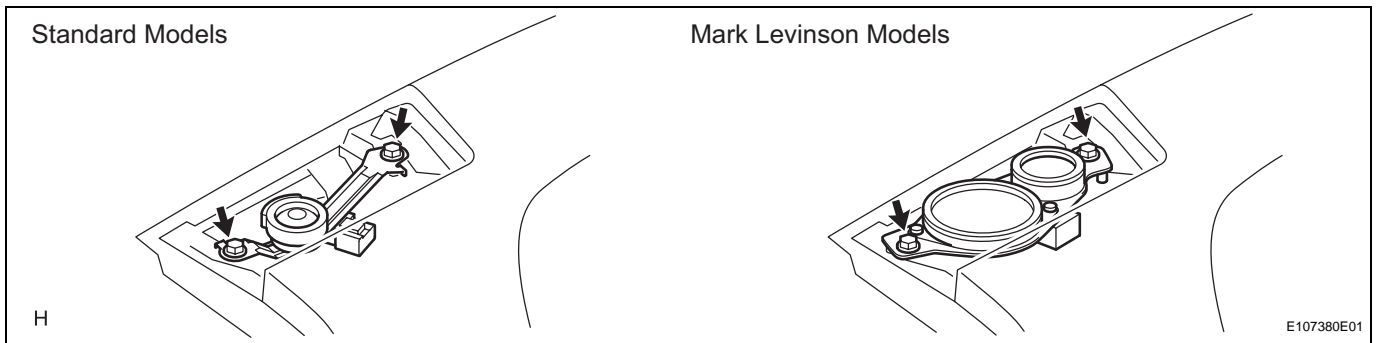
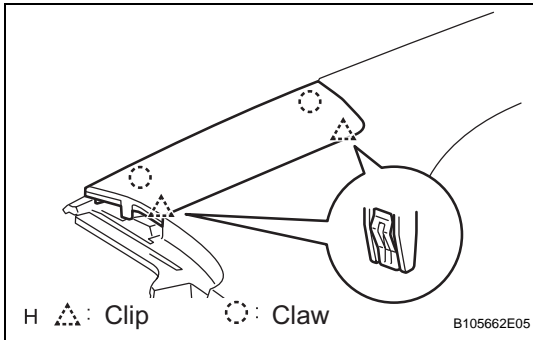
- (a) Using a screwdriver, detach the 2 clips and 2 claws.

HINT:

Tape the screwdriver tip before use.

- (b) Remove the speaker panel.

3. REMOVE FRONT NO. 2 SPEAKER ASSEMBLY



- (a) Remove the 2 bolts.
 (b) Disconnect the connector and remove the speaker.

HINT:

Do not touch the cone part of the speaker.

INSPECTION

1. INSPECT FRONT NO. 2 SPEAKER ASSEMBLY

- (a) With the speaker installed, check that there is no looseness or other abnormalities.
- (b) Check that there is no foreign matter in the speaker, no tears on the speaker's cone part, or other abnormalities.
- (c) When there is a possibility that either the right or left speaker is malfunctioning, interchange the speakers and perform an inspection. If the malfunction disappears after interchanging the speakers, replace the malfunctioning speaker.

HINT:

Connect all connectors to the speakers when performing an inspection.

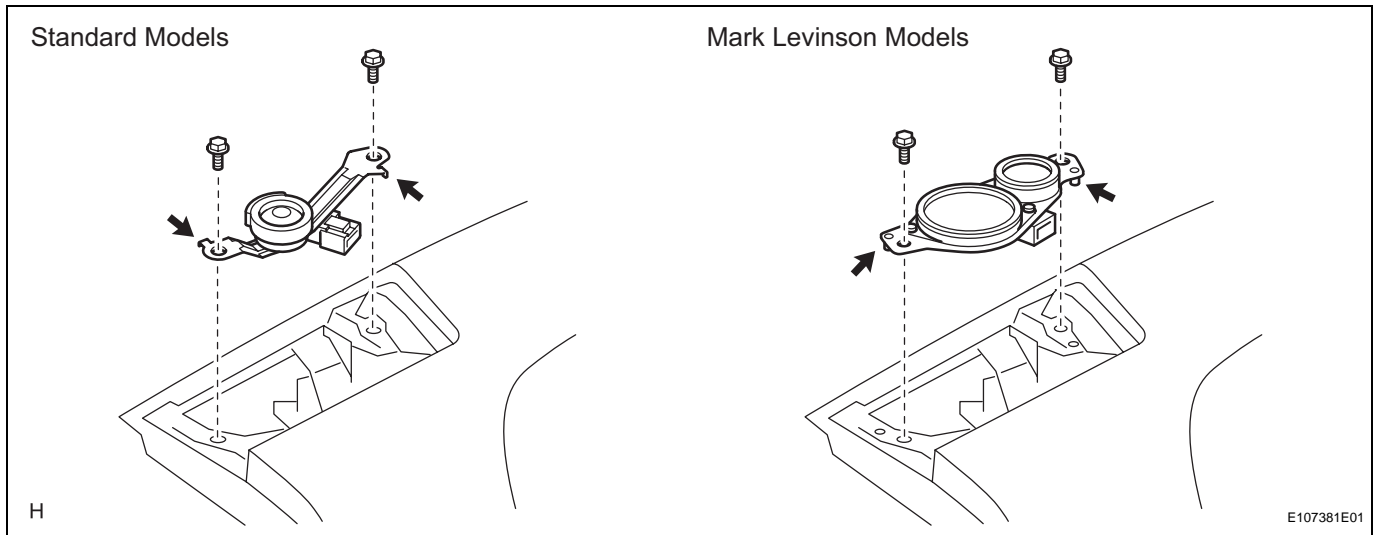
If the result is not as specified, replace the speaker assembly.

INSTALLATION

HINT:

- Use the same procedures for the LH side and RH side.
- The procedures listed below are for the LH side.
- A bolt without a torque specification is shown in the standard bolt chart (See page [SS-2](#)).

1. INSTALL FRONT NO. 2 SPEAKER ASSEMBLY



- Connect the connector.
- Temporarily install the speaker by aligning the positioning pins of the speaker to the instrument panel.
- Install the speaker with the 2 bolts.

HINT:

Do not touch the cone part of the speaker.

2. INSTALL NO. 2 INSTRUMENT PANEL SPEAKER PANEL SUB-ASSEMBLY

- Attach the 2 clips and 2 claws to install the panel.

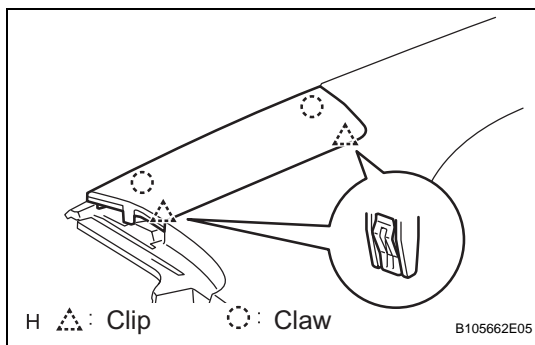
3. CONNECT CABLE TO NEGATIVE BATTERY TERMINAL

4. PERFORM INITIALIZATION

- Perform initialization (See page [IN-37](#)).

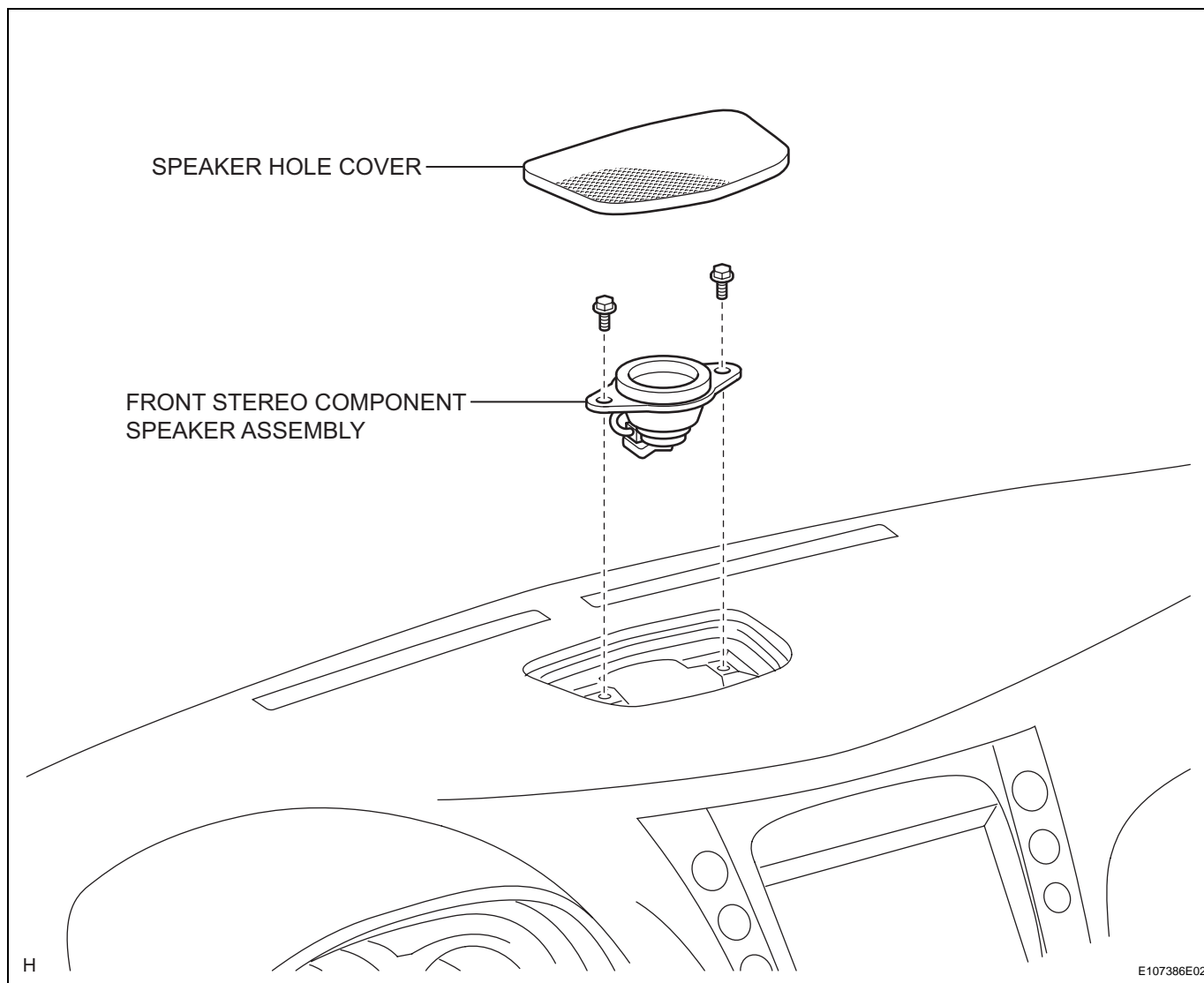
NOTICE:

Certain systems need to be initialized after disconnecting and reconnecting the cable from the negative (-) battery terminal.



FRONT STEREO COMPONENT SPEAKER

COMPONENTS



H

E107386E02

REMOVAL

1. **DISCONNECT CABLE FROM NEGATIVE BATTERY TERMINAL**

CAUTION:

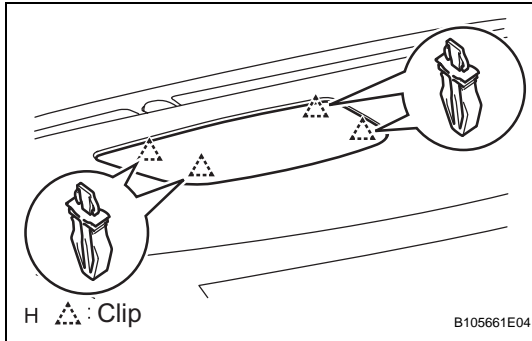
Wait at least 90 seconds after disconnecting the cable from the negative (-) battery terminal to prevent airbag and seat belt pretensioner activation.

2. **REMOVE SPEAKER HOLE COVER**

- (a) Using a screwdriver, detach the 4 clips and remove the hole cover.

HINT:

Tap the screwdriver tip before use.



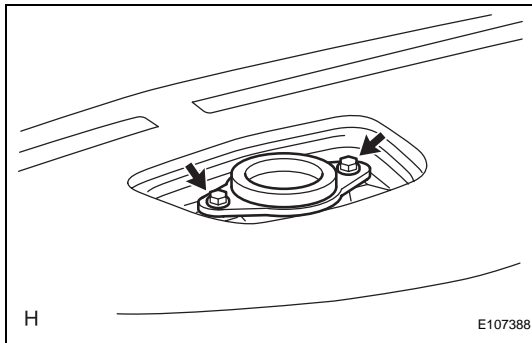
3. **REMOVE FRONT STEREO COMPONENT SPEAKER ASSEMBLY**

- (a) Remove the 2 bolts.

- (b) Disconnect the connector and remove the speaker.

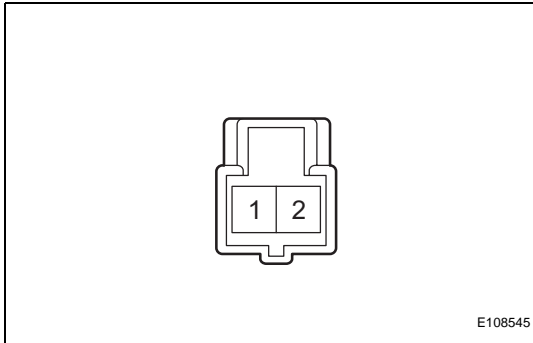
HINT:

Do not touch the cone part of the speaker.



INSPECTION

1. **INSPECT FRONT STEREO COMPONENT SPEAKER ASSEMBLY**
 - (a) With the speaker installed, check that there is no looseness or other abnormalities.
 - (b) Check that there is no foreign matter in the speaker, no tears on the speaker's cone part, or other abnormalities.
 - (c) Measure the resistance of the speaker.
Standard resistance (Standard models)



Tester Connection	Specified Condition
1 - 2	10 Ω

Standard resistance (Mark Levinson models)

Tester Connection	Specified Condition
1 - 2	8 Ω

If the result is not as specified, replace the speaker assembly.

INSTALLATION

HINT:

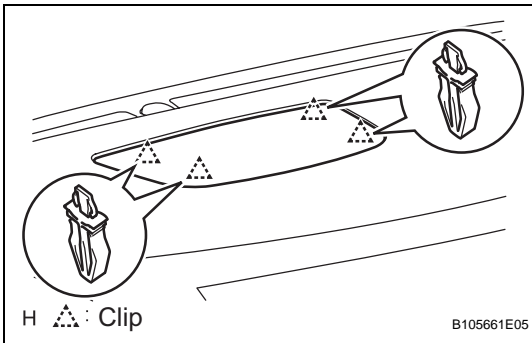
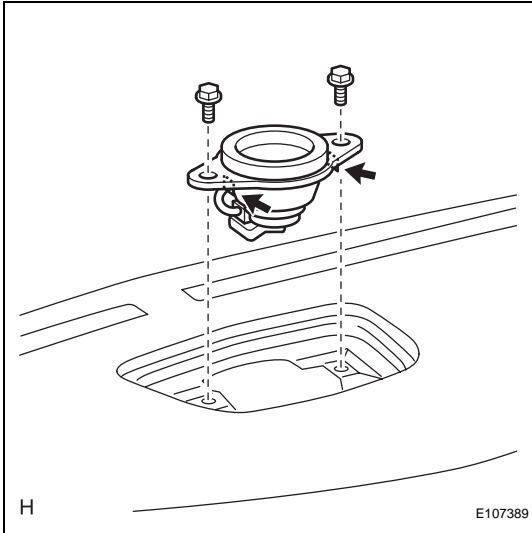
A bolt without a torque specification is shown in the standard bolt chart (See page [SS-2](#)).

1. INSTALL FRONT STEREO COMPONENT SPEAKER ASSEMBLY

- (a) Connect the connector.
- (b) Temporarily install the speaker by aligning the positioning pins of the speaker to the instrument panel.
- (c) Install the speaker with the 2 bolts.

HINT:

Do not touch the cone part of the speaker.



2. INSTALL SPEAKER HOLE COVER

- (a) Attach the 4 clips to install the hole cover.

3. CONNECT CABLE TO NEGATIVE BATTERY TERMINAL

4. PERFORM INITIALIZATION

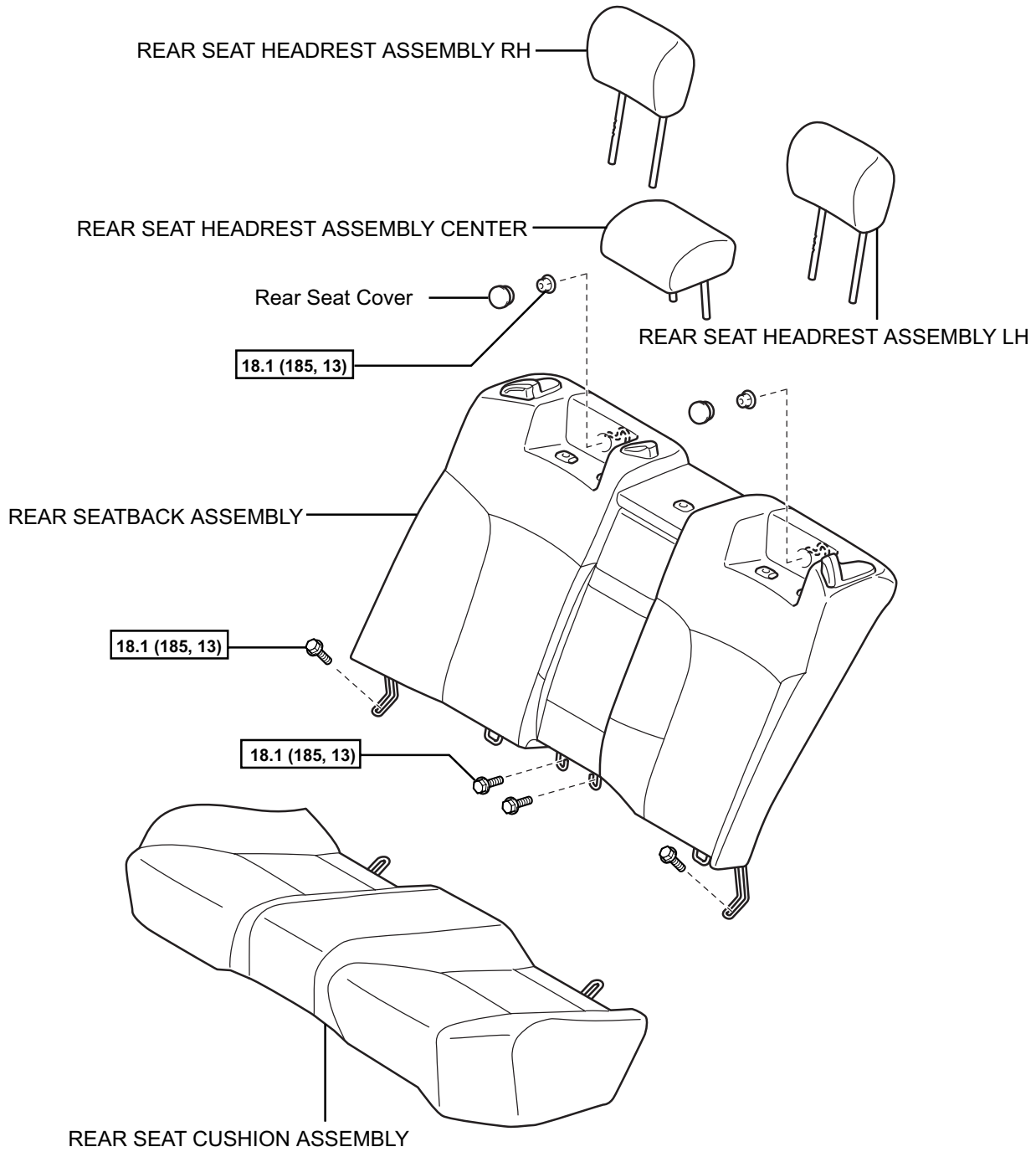
- (a) Perform initialization (See page [IN-37](#)).

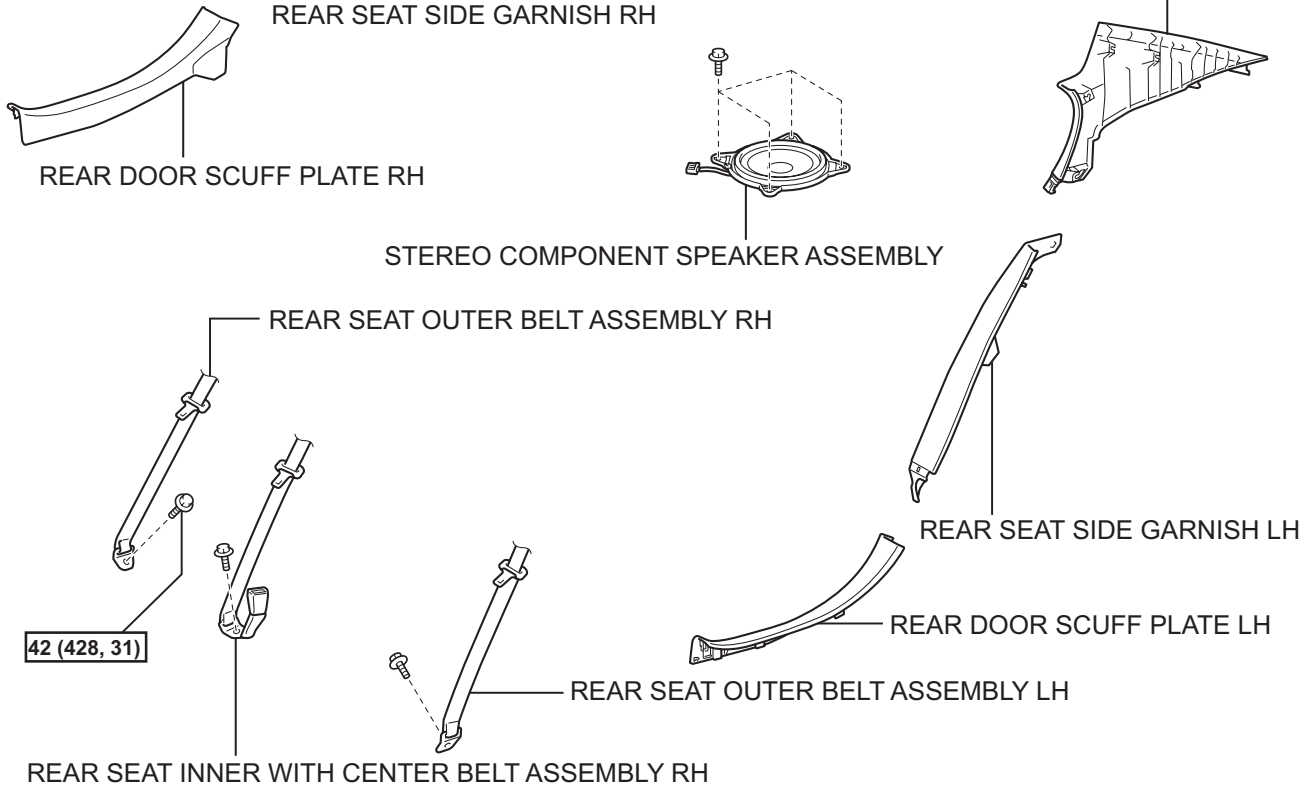
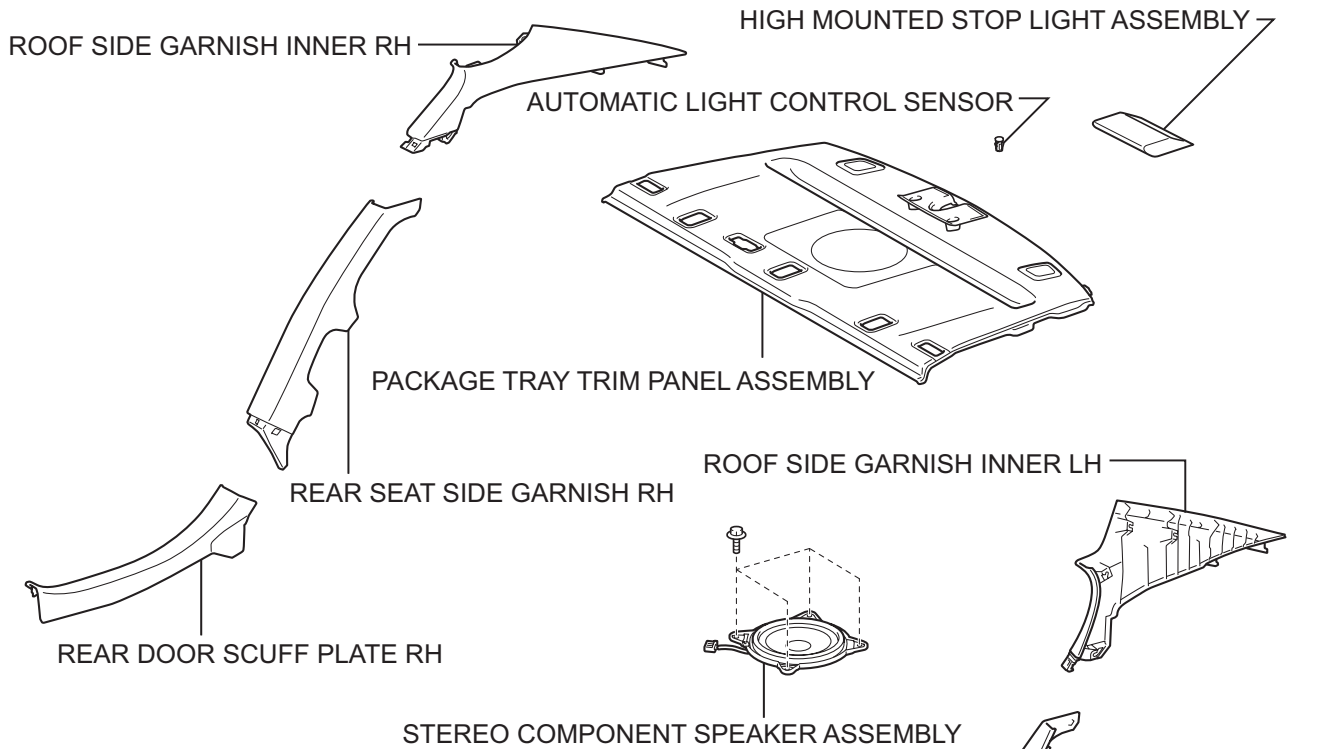
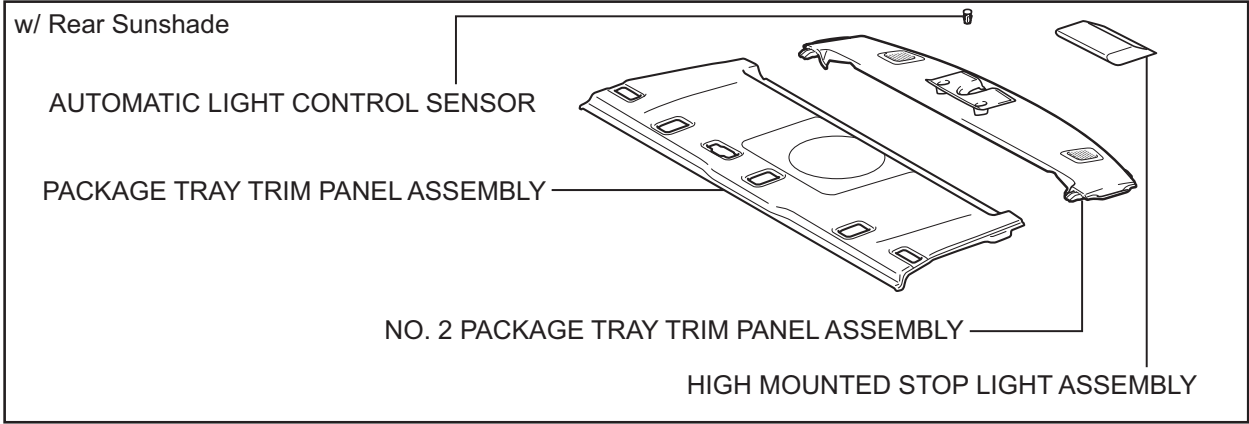
NOTICE:

Certain systems need to be initialized after disconnecting and reconnecting the cable from the negative (-) battery terminal.

STEREO COMPONENT SPEAKER

COMPONENTS

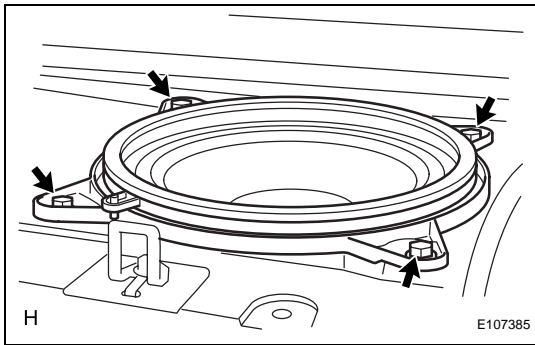




N*m (kgf*cm, ft.*lbf) : Specified torque

REMOVAL

1. DISCONNECT CABLE FROM NEGATIVE BATTERY TERMINAL
CAUTION:
Wait at least 90 seconds after disconnecting the cable from the negative (-) battery terminal to prevent airbag and seat belt pretensioner activation.
2. REMOVE REAR SEAT CUSHION ASSEMBLY (See page [SE-106](#))
3. REMOVE REAR SEAT HEADREST ASSEMBLY LH AND RH
4. REMOVE REAR SEAT HEADREST ASSEMBLY CENTER
5. REMOVE REAR SEATBACK ASSEMBLY (See page [SE-106](#))
6. REMOVE REAR SEAT OUTER BELT ASSEMBLY (See page [SB-52](#))
7. REMOVE REAR SEAT INNER WITH CENTER BELT ASSEMBLY RH (See page [SB-52](#))
8. REMOVE REAR DOOR SCUFF PLATE LH (See page [IR-34](#))
9. REMOVE REAR DOOR SCUFF PLATE RH (See page [IR-34](#))
10. REMOVE REAR SEAT SIDE GARNISH LH (See page [IR-35](#))
11. REMOVE REAR SEAT SIDE GARNISH RH (See page [IR-35](#))
12. REMOVE ROOF SIDE GARNISH INNER LH (See page [IR-35](#))
13. REMOVE ROOF SIDE GARNISH INNER RH (See page [IR-35](#))
14. REMOVE HIGH MOUNTED STOP LIGHT ASSEMBLY (See page [IR-19](#))
15. REMOVE AUTOMATIC LIGHT CONTROL SENSOR (See page [IR-20](#))
16. REMOVE PACKAGE TRAY TRIM PANEL ASSEMBLY (See page [IR-20](#))
17. REMOVE NO. 2 PACKAGE TRAY TRIM PANEL ASSEMBLY (w/ Rear Sunshade) (See page [IR-21](#))

**18. REMOVE STEREO COMPONENT SPEAKER ASSEMBLY**

- (a) Disconnect the connector.
- (b) Remove the 4 bolts and speaker.

HINT:

Do not touch the cone part of the speaker.

INSPECTION

1. INSPECT STEREO COMPONENT SPEAKER ASSEMBLY

- With the speaker installed, check that there is no looseness or other abnormalities.
- Check that there is no foreign matter in the speaker, no tears on the speaker's cone part, or other abnormalities.
- Measure the resistance of the speaker.

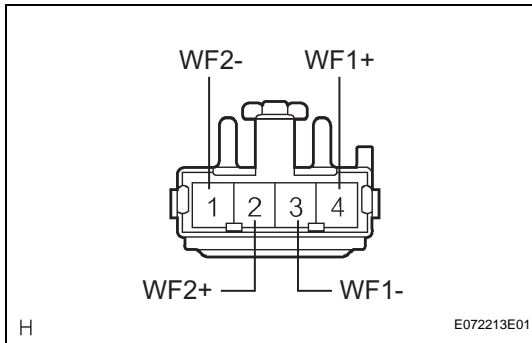
Standard resistance (Standard models)

Tester Connection	Specified Condition
4 (WF1+) - 3 (WF1-)	2.5 Ω
2 (WF2+) - 1 (WF2-)	2.5 Ω

Standard resistance (Mark Levinson models)

Tester Connection	Specified Condition
4 (WF1+) - 3(WF2-)	14 Ω

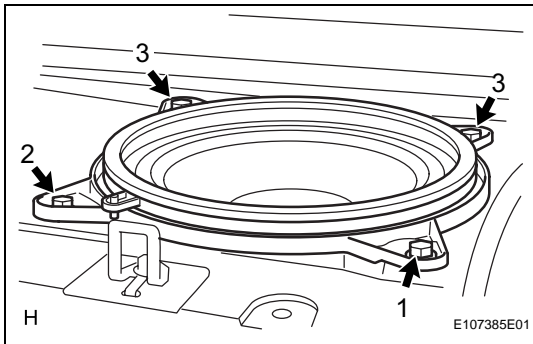
If the result is not as specified, replace the speaker assembly.



INSTALLATION

HINT:

A bolt without a torque specification is shown in the standard bolt chart (See page [SS-2](#)).



1. INSTALL STEREO COMPONENT SPEAKER ASSEMBLY

(a) Install the speaker with the 4 bolts.

HINT:

- Install the bolts in the order shown in the illustration.
- Do not touch the cone part of the speaker.

(b) Connect the connector.

2. INSTALL NO. 2 PACKAGE TRAY TRIM PANEL ASSEMBLY (w/ Rear Sunshade) (See page [IR-22](#))

3. INSTALL PACKAGE TRAY TRIM PANEL ASSEMBLY (See page [IR-23](#))

4. INSTALL AUTOMATIC LIGHT CONTROL SENSOR (See page [IR-23](#))

5. INSTALL HIGH MOUNTED STOP LIGHT ASSEMBLY (See page [IR-23](#))

6. INSTALL ROOF SIDE GARNISH INNER LH (See page [IR-45](#))

7. INSTALL ROOF SIDE GARNISH INNER RH (See page [IR-45](#))

8. INSTALL REAR SEAT SIDE GARNISH LH (See page [IR-45](#))

9. INSTALL REAR SEAT SIDE GARNISH RH (See page [IR-45](#))

10. INSTALL REAR DOOR SCUFF PLATE LH (See page [IR-45](#))

11. INSTALL REAR DOOR SCUFF PLATE RH (See page [IR-45](#))

12. INSTALL REAR SEAT OUTER BELT ASSEMBLY (See page [SB-47](#))

13. INSTALL REAR SEAT INNER WITH CENTER BELT ASSEMBLY RH (See page [SB-47](#))

14. INSTALL REAR SEATBACK ASSEMBLY (See page [SE-112](#))

15. INSTALL REAR SEAT HEADREST ASSEMBLY LH AND RH

16. INSTALL REAR SEAT HEADREST ASSEMBLY CENTER

17. INSTALL REAR SEAT CUSHION ASSEMBLY (See page [SE-113](#))

18. CONNECT CABLE TO NEGATIVE BATTERY TERMINAL

19. PERFORM INITIALIZATION

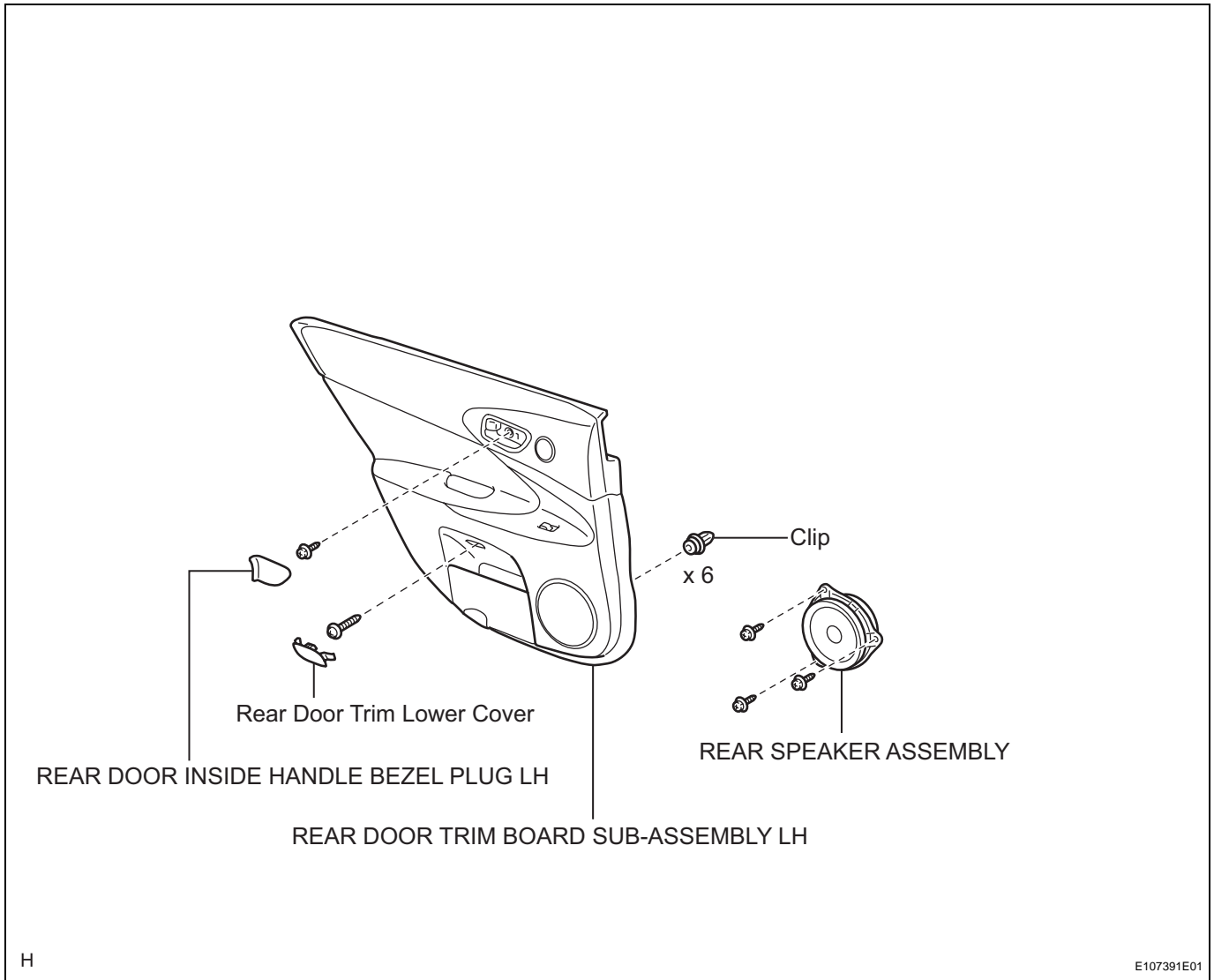
- (a) Perform initialization (See page [IN-37](#)).

NOTICE:

Certain systems need to be initialized after disconnecting and reconnecting the cable from the negative (-) battery terminal.

REAR SPEAKER

COMPONENTS



REMOVAL

HINT:

- Use the same procedures for the LH side and RH side.
- The procedures listed below are for the LH side.

1. DISCONNECT CABLE FROM NEGATIVE BATTERY TERMINAL

CAUTION:

Wait at least 90 seconds after disconnecting the cable from the negative (-) battery terminal to prevent airbag and seat belt pretensioner activation.

2. REMOVE REAR DOOR INSIDE HANDLE BEZEL PLUG LH (See page [ED-86](#))

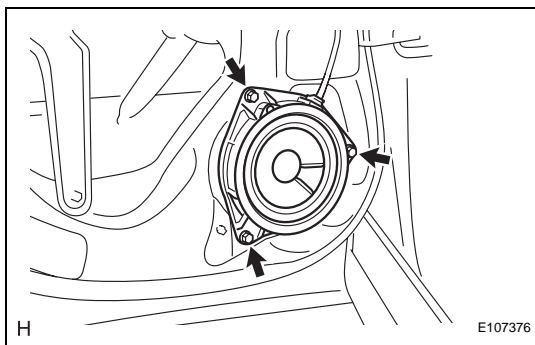
3. REMOVE REAR DOOR TRIM BOARD SUB-ASSEMBLY LH (See page [ED-87](#))

4. REMOVE REAR SPEAKER ASSEMBLY

- (a) Disconnect the connector.
- (b) Remove the 3 screws and speaker.

HINT:

Do not touch the cone part of the speaker.



INSPECTION

1. INSPECT REAR SPEAKER ASSEMBLY

- (a) With the speaker installed, check that there is no looseness or other abnormalities.
- (b) Check that there is no foreign matter in the speaker, no tears on the speaker's cone part, or other abnormalities.
- (c) Measure the resistance of the speaker.

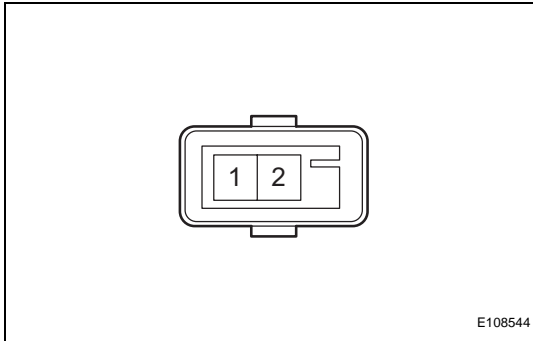
Standard resistance (Standard models)

Tester Connection	Specified Condition
1 - 2	4 Ω

Standard resistance (Mark Levinson models)

Tester Connection	Specified Condition
1 - 2	8 Ω

If the result is not as specified, replace the speaker assembly.

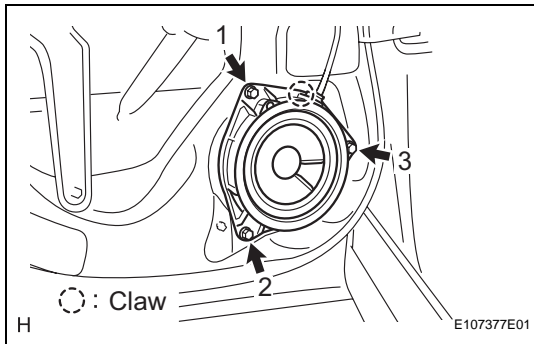


E108544

INSTALLATION

HINT:

- Use the same procedures for the LH side and RH side.
- The procedures listed below are for the LH side.



1. INSTALL REAR SPEAKER ASSEMBLY

- Temporarily install the speaker by attaching the claws of the speaker to the door panel.
- Install the speaker with the 3 screws.

HINT:

- Install the screws in the order shown in the illustration.
- Do not touch the cone part of the speaker.

2. INSTALL REAR DOOR TRIM BOARD SUB-ASSEMBLY LH (See page [ED-97](#))

3. INSTALL REAR DOOR INSIDE HANDLE BEZEL PLUG LH (See page [ED-99](#))

4. CONNECT CABLE TO NEGATIVE BATTERY TERMINAL

5. PERFORM INITIALIZATION

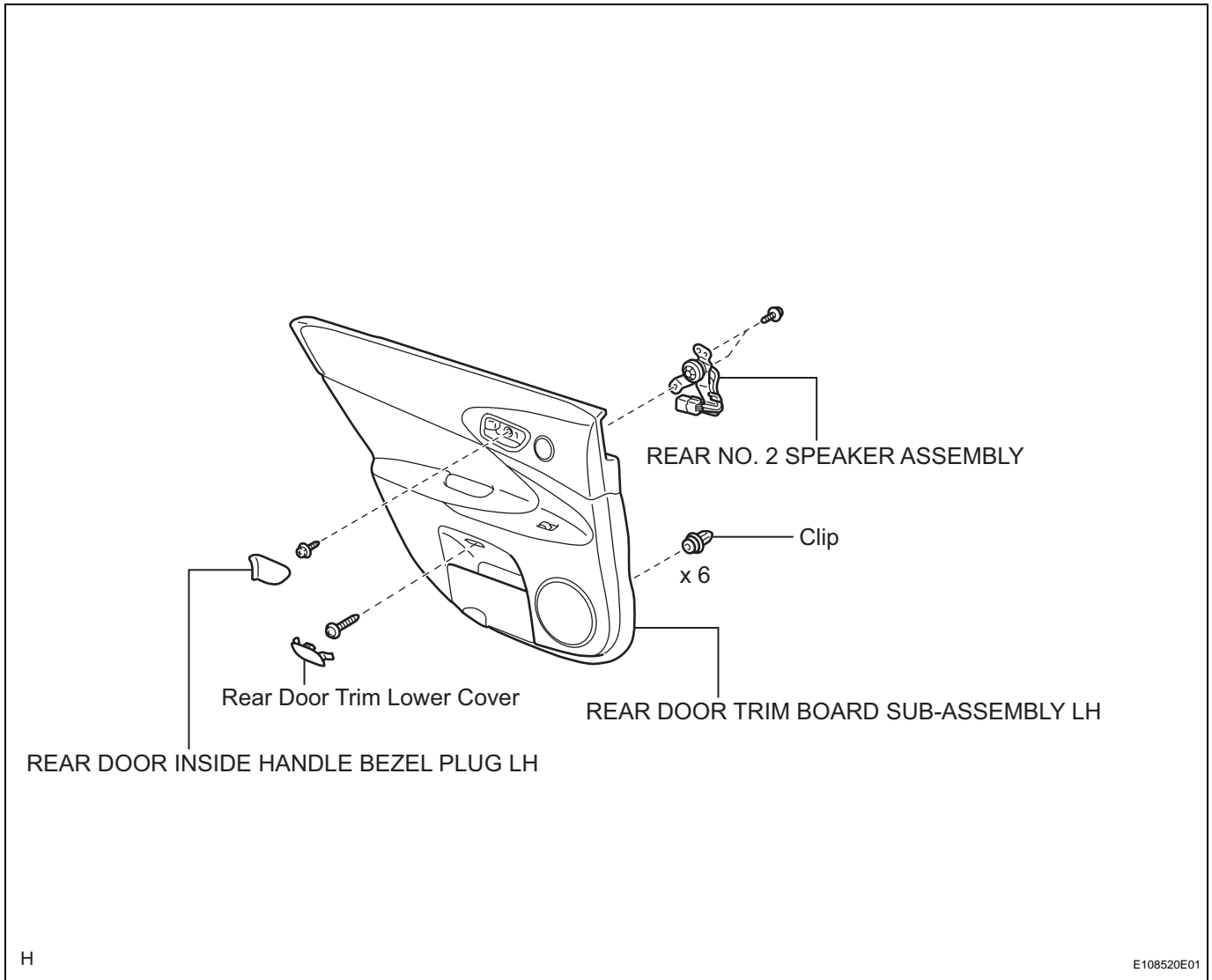
- Perform initialization (See page [IN-37](#)).

NOTICE:

Certain systems need to be initialized after disconnecting and reconnecting the cable from the negative (-) battery terminal.

REAR NO. 2 SPEAKER

COMPONENTS



REMOVAL

HINT:

- Use the same procedures for the LH side and RH side.
- The procedures listed below are for the LH side.

1. DISCONNECT CABLE FROM NEGATIVE BATTERY TERMINAL

CAUTION:

Wait at least 90 seconds after disconnecting the cable from the negative (-) battery terminal to prevent airbag and seat belt pretensioner activation.

2. REMOVE REAR DOOR INSIDE HANDLE BEZEL PLUG LH (See page [ED-86](#))

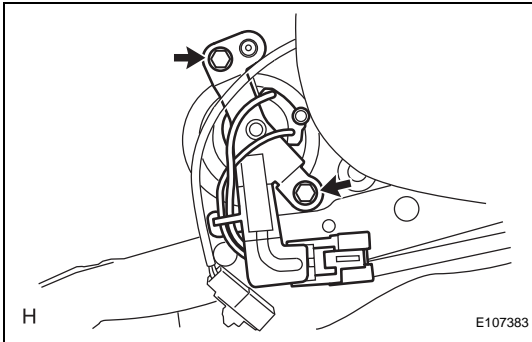
3. REMOVE REAR DOOR TRIM BOARD SUB-ASSEMBLY LH (See page [ED-87](#))

4. REMOVE REAR NO. 2 SPEAKER ASSEMBLY

- (a) Disconnect the connector.
- (b) Remove the 2 screws and speaker.

HINT:

Do not touch the cone part of the speaker.



INSPECTION

1. INSPECT REAR NO. 2 SPEAKER ASSEMBLY

- (a) With the speaker installed, check that there is no looseness or other abnormalities.
- (b) Check that there is no foreign matter in the speaker, no tears on the speaker's cone part, or other abnormalities.
- (c) When there is a possibility that either the right or left speaker is malfunctioning, interchange the speakers and perform an inspection. If the malfunction disappears after interchanging the speakers, replace the malfunctioning speaker.

HINT:

Connect all connectors to the speakers when performing an inspection.

If the result is not as specified, replace the speaker assembly.

INSTALLATION

HINT:

- Use the same procedures for the LH side and RH side.
- The procedures listed below are for the LH side.

1. INSTALL REAR NO. 2 SPEAKER ASSEMBLY

- (a) Align the speaker to the door position pin A.
- (b) Install the speaker with the 2 screws.

HINT:

- Install the screws in the order shown in the illustration.
 - Do not touch the cone part of the speaker.
- (c) Connect the connector.

2. INSTALL REAR DOOR TRIM BOARD SUB-ASSEMBLY LH (See page [ED-97](#))

3. INSTALL REAR DOOR INSIDE HANDLE BEZEL PLUG LH (See page [ED-99](#))

4. CONNECT CABLE TO NEGATIVE BATTERY TERMINAL

5. PERFORM INITIALIZATION

- (a) Perform initialization (See page [IN-37](#)).

NOTICE:

Certain systems need to be initialized after disconnecting and reconnecting the cable from the negative (-) battery terminal.

