

Last Modified: 12-12-2016	6.6 00	Doc ID: NM100000000T651
Model Year Start: 2016	Model: GS200T	Prod Date Range: [10/2015 -]
Title: TIRE / WHEEL: TIRE AND WHEEL TYPE SYSTEM: GENERAL; 2016 - 2017 MY GS200T GS350 [10/2015 -]		

GENERAL

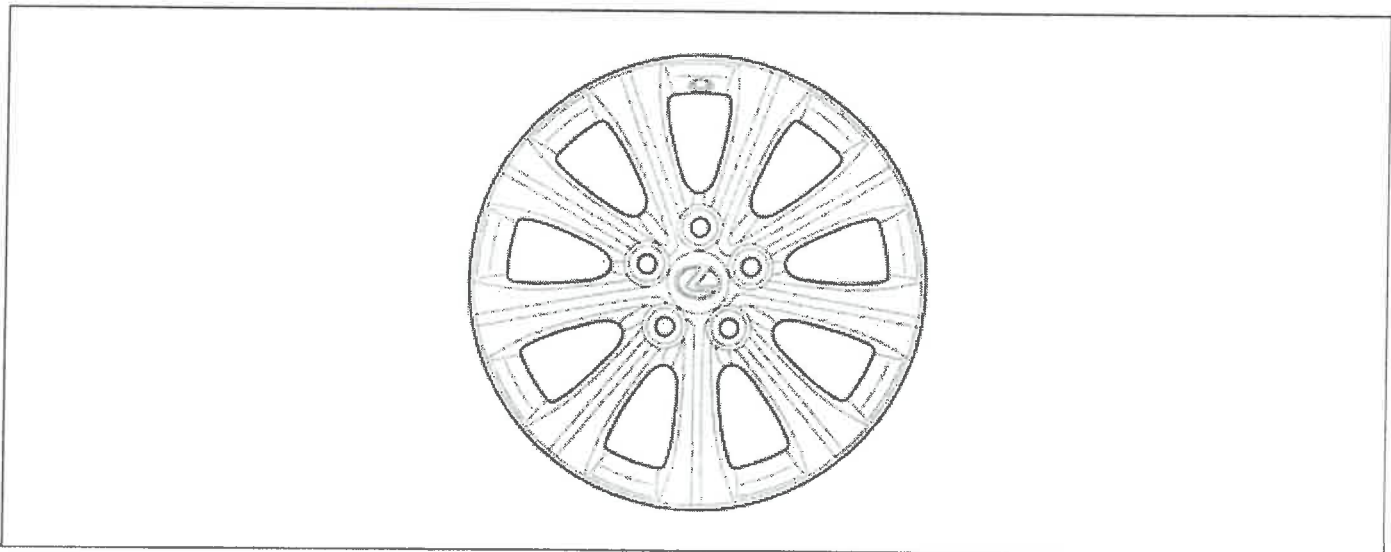
1. OUTLINE

- (a) 4 sizes of tire are available.
- (b) 6 types of aluminum disc wheel are available.
- (c) A noise reduction wheel is provided according to the vehicle specification.
- (d) A compact spare tire is used.

2. SPECIFICATION

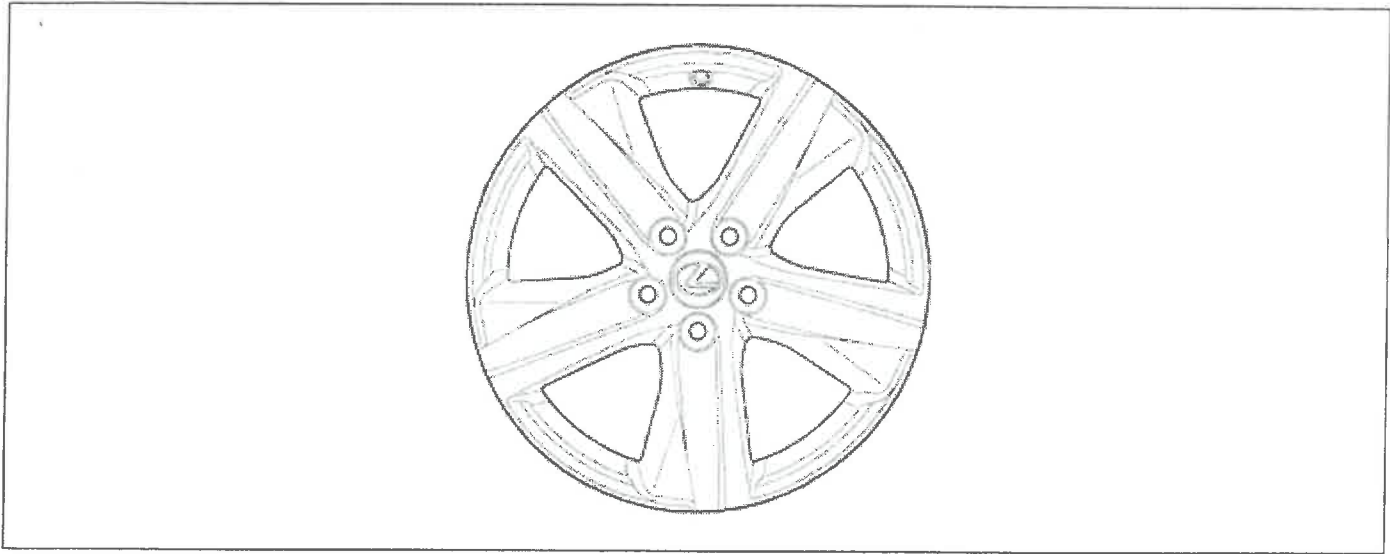
(a) Disc Wheel

(1) Models with 225/50R17 Tire



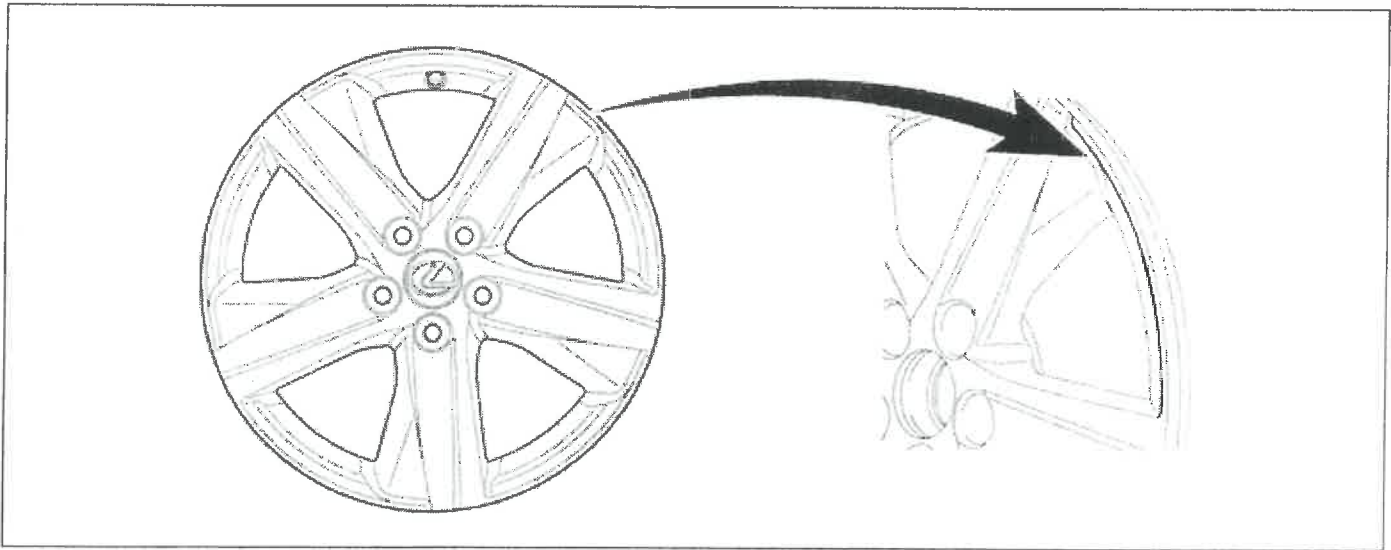
Disc Wheel Size	17 x 7 1/2 J
Disc Wheel Material	Aluminum
Pitch Circle Diameter	114.3 mm (4.5 in.)
Inset	45 mm (1.77 in.)
Wheel Cap	Center Ornament

(2) Models with 235/45R18 Tire



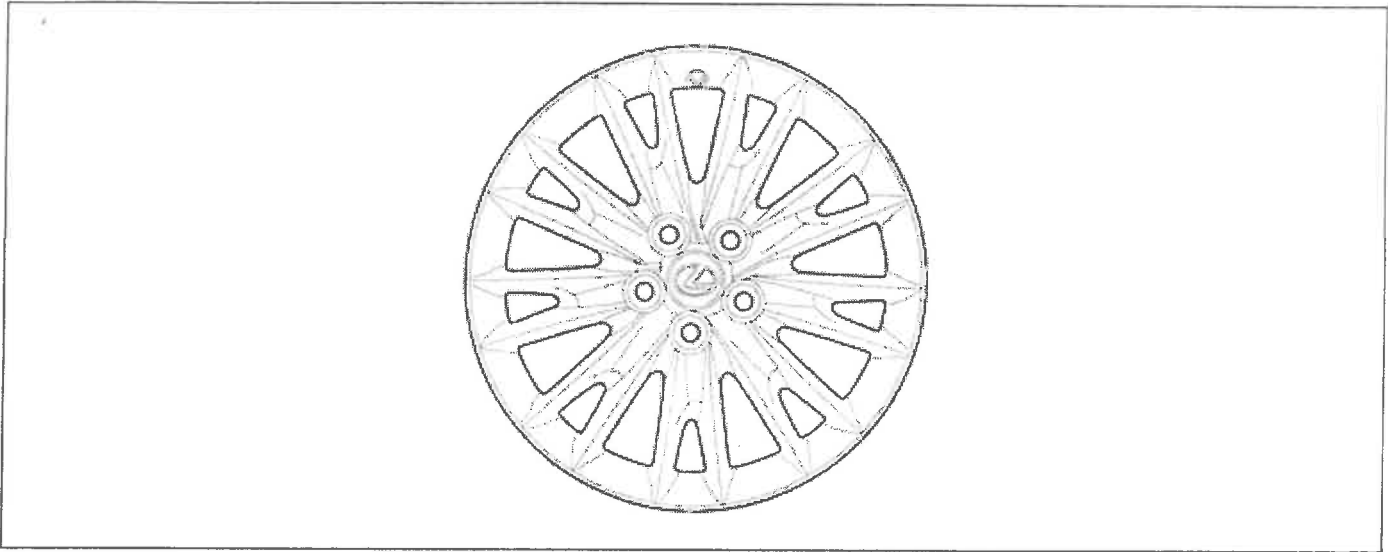
Disc Wheel Size	18 x 8 J
Disc Wheel Material	Aluminum
Pitch Circle Diameter	114.3 mm (4.5 in.)
Inset	45 mm (1.77 in.)
Wheel Cap	Center Ornament

- Tiered spokes which include the outermost portion are used to accentuate the spokes.



NOTICE:

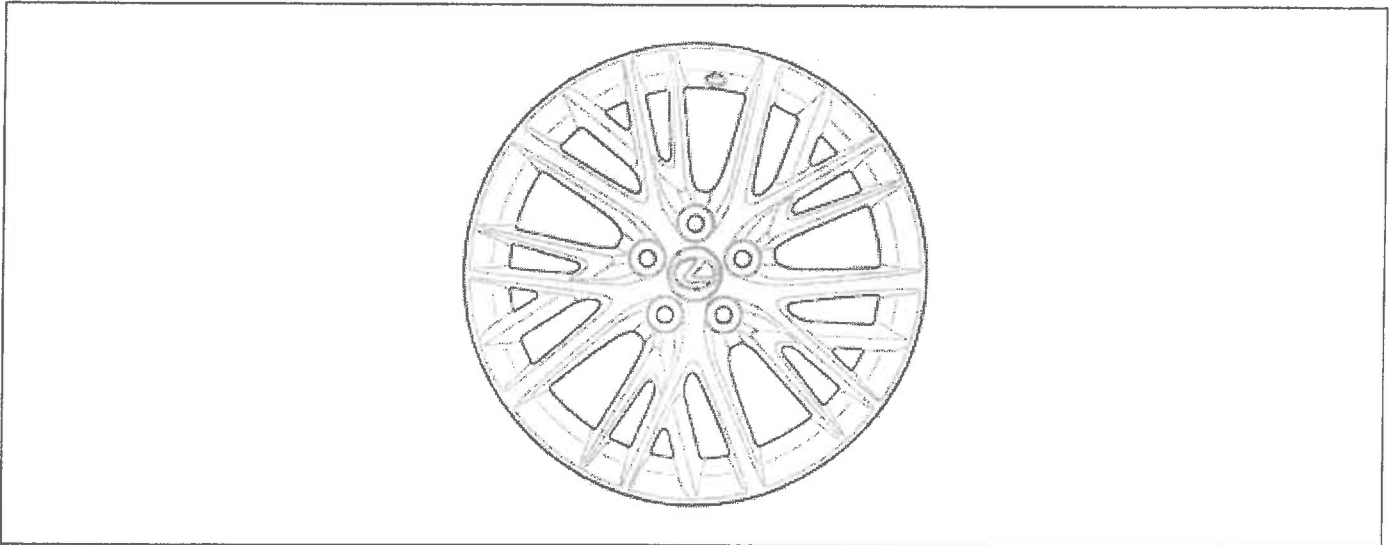
In case of changing a tire using equipment, make sure that the rim does not get damaged. Tiered spokes which include the outermost portion are used for the wheels.



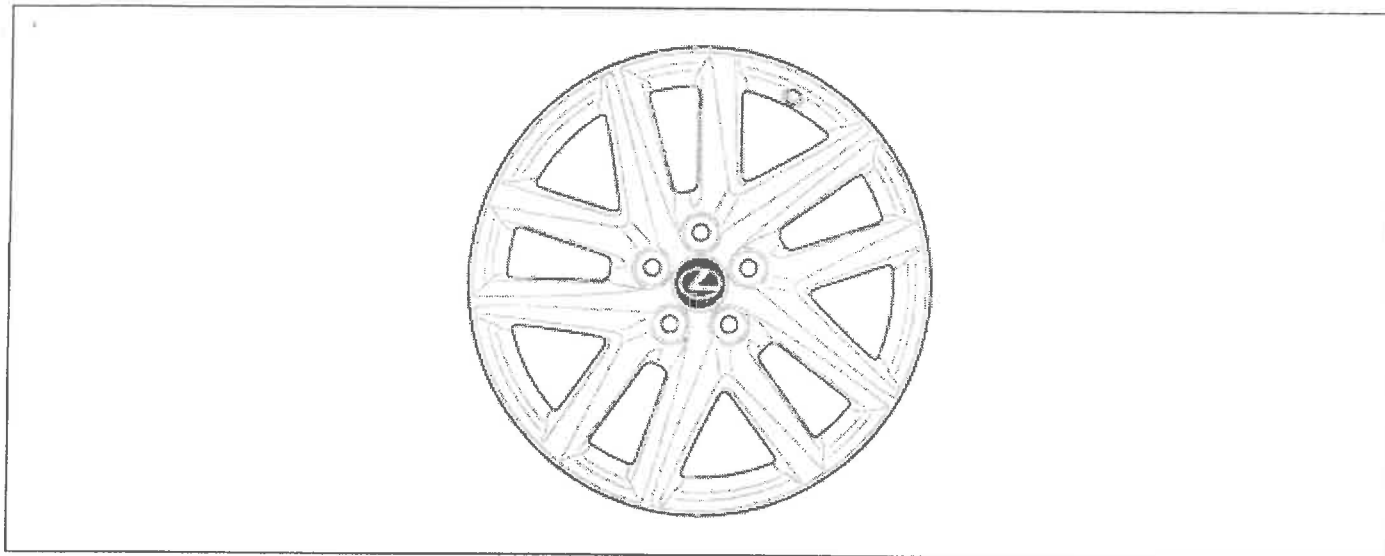
Disc Wheel Size	18 x 8 J
Disc Wheel Material	Aluminum
Pitch Circle Diameter	114.3 mm (4.5 in.)
Inset	45 mm (1.77 in.)
Wheel Cap	Center Ornament

(3) Models with 235/40R19 Tire

Noise Reduction Wheel

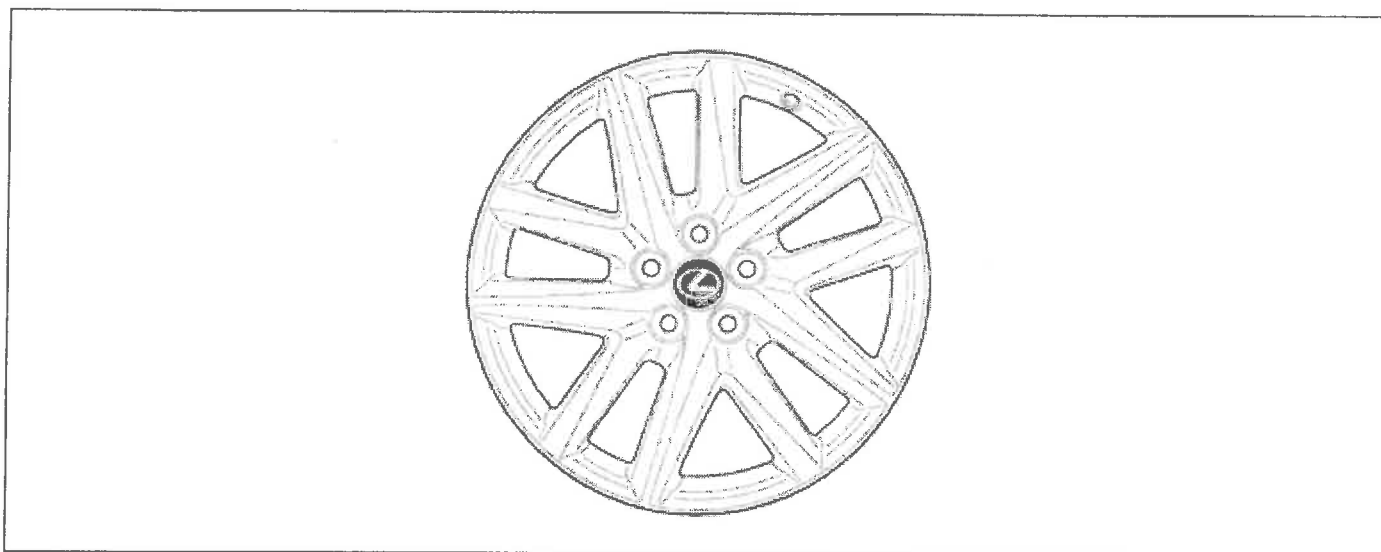


Disc Wheel Size	19 x 8 J
Disc Wheel Material	Aluminum
Pitch Circle Diameter	114.3 mm (4.5 in.)
Inset	45 mm (1.77 in.)
Wheel Cap	Center Ornament



Disc Wheel Size	19 x 8 J
Disc Wheel Material	Aluminum
Pitch Circle Diameter	114.3 mm (4.5 in.)
Inset	45 mm (1.77 in.)
Wheel Cap	Center Ornament

(4) Models with 235/40R19 (Front) and 265/35R19 (Rear) Tire



Tire Size	235/40R19	265/35R19
Disc Wheel Size	19 x 8 J	19 x 9J
Disc Wheel Material	Aluminum	←
Pitch Circle Diameter	114.3 mm (4.5 in.)	←
Inset	45 mm (1.77 in.)	60 mm (2.36 in.)
Wheel Cap	Center Ornament	←

(5) Models with T155/70D17 Spare Tire

Disc Wheel Size	17 x 4T
Disc Wheel Material	Steel
Pitch Circle Diameter	114.3 mm (4.5 in.)
Inset	10 mm (0.39 in.)
Wheel Cap	-

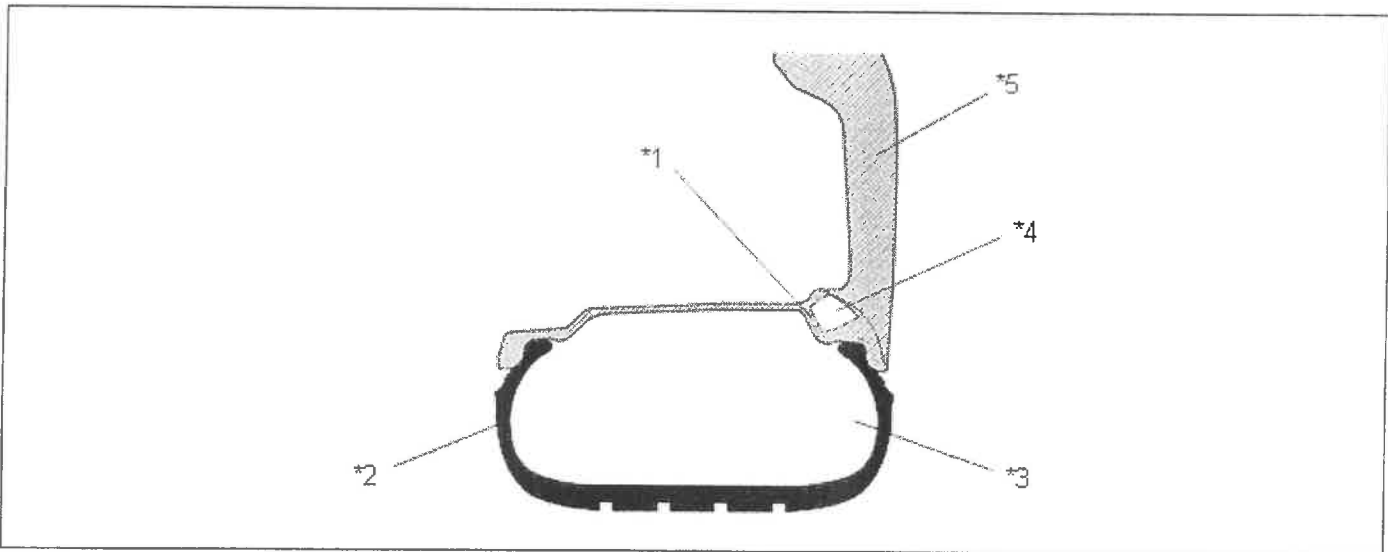
(6) Models with T145/70D18 Spare Tire

Disc Wheel Size	18 x 4T	←
Disc Wheel Material	Steel	Aluminum
Pitch Circle Diameter	114.3 mm (4.5 in.)	←
Inset	15 mm (0.59 in.)	←
Wheel Cap	-	←

3. MAIN FEATURES

(a) Noise Reduction Wheel

(1) The noise reduction wheels have a hollow rim portion in the outer side which is connected to the air layer of the tire via the resonator pore portion. In normal tires, pressure change is caused in the tire air layer by tire deformation and resonance is generated by vibrating air. However, in noise reduction wheels, pressure change is caused in the air layer of the tire, air flows in and out of the resonator pore portion and friction is generated to achieve sound absorption. As a result, resonance is reduced in the air layer of the tire.



*1	Resonator Pore Portion	*2	Tire
*3	Air Layer of Tire	*4	Hollow Rim Portion
*5	Noise Reduction Wheel	-	-