

REAR BUMPER > REMOVAL

for Preparation [Click here](#)

1. REMOVE REAR BUMPER NO. 1 PLATE

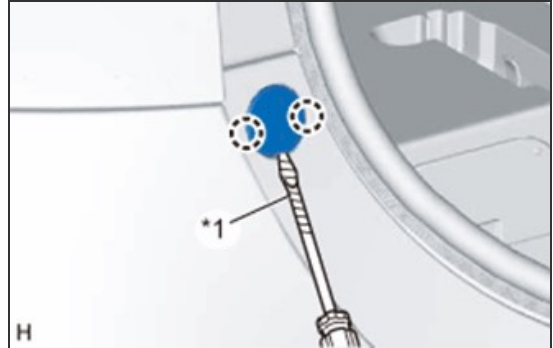
- a. Using a screwdriver, detach the 2 claws and remove the rear bumper No. 1 plate.

HINT:

Tape the screwdriver tip before use.

Text in Illustration

*1	Protective Tape
----	-----------------



2. REMOVE REAR BUMPER COVER

- a. Remove the 4 clips and 2 screws.



- b. Remove the screw, and then remove the rear bumper seal bracket.

HINT:

Use the same procedure for both screws and rear bumper seal brackets.



- c. Remove the 2 screws.



- d. Put protective tape around the rear bumper cover.

Text in Illustration

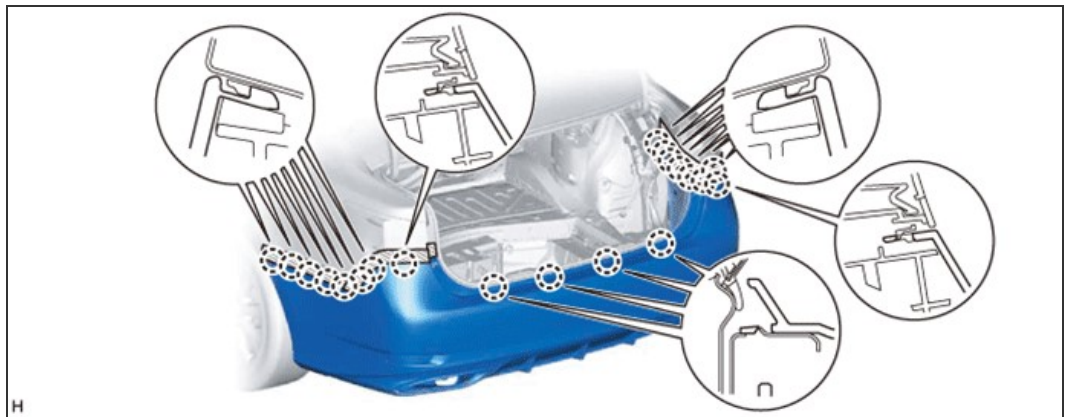
*1 Protective Tape

- e. Detach the 20 claws and remove the rear bumper cover.



- f. w/ LEXUS Parking Assist-sensor System:

- i. Disconnect the connector of the No. 3 luggage room wire.



3. REMOVE REAR BUMPER ENERGY ABSORBER

- a. Remove the rear bumper energy absorber.

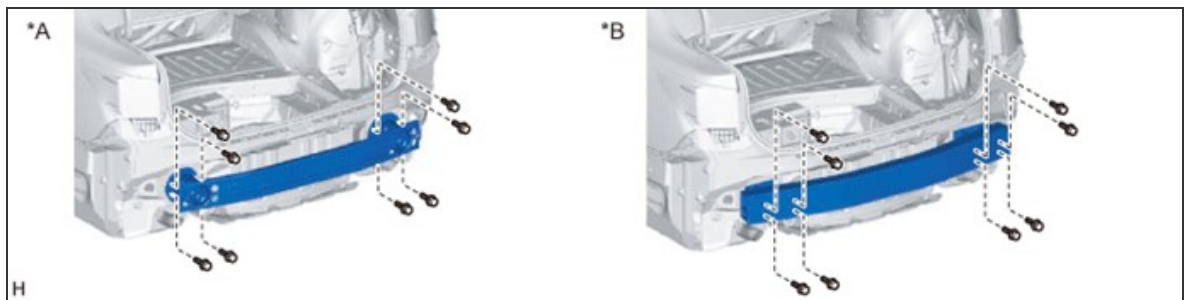


Text in Illustration

*A	for Type A	*B	for Type B
----	------------	----	------------

4. REMOVE REAR BUMPER NO. 1 REINFORCEMENT

- a. Remove the 8 bolts and rear bumper No. 1 reinforcement.



Text in Illustration

*A	for Type A	*B	for Type B
----	------------	----	------------

5. REMOVE REAR BUMPER NO. 1 SIDE SUPPORT LH

- a. Remove the grommet.



- b. Remove the 2 screws and rear bumper No. 1 side support.



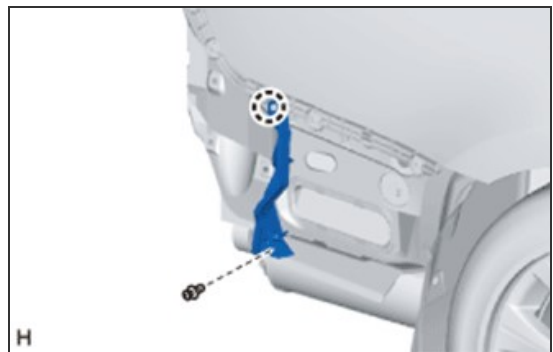
6. REMOVE REAR BUMPER NO. 1 SIDE SUPPORT RH

HINT:

Use the same procedure described for the LH side.

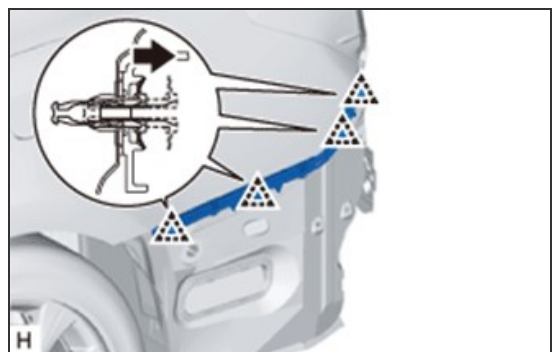
7. REMOVE REAR BUMPER LOWER SIDE RETAINER RH

- a. Remove the clip.
- b. Detach the claw and remove the rear bumper lower side retainer.

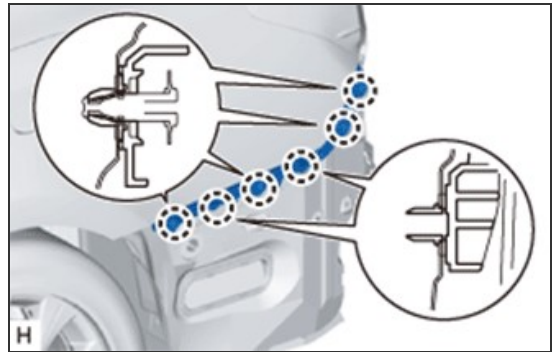


8. REMOVE REAR BUMPER NO. 2 SIDE SUPPORT LH

- a. Detach the 4 clips.



- b. Detach the 6 claws and remove the rear bumper No. 2 side support.



9. REMOVE REAR BUMPER NO. 2 SIDE SUPPORT RH

HINT:

Use the same procedure described for the LH side.

10. REMOVE REAR COMBINATION LIGHT ASSEMBLY LH

([Click here](#))

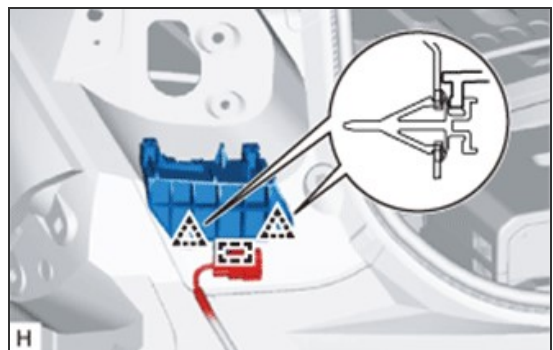
11. REMOVE REAR COMBINATION LIGHT ASSEMBLY RH

HINT:

Use the same procedure described for the LH side.

12. REMOVE REAR BUMPER UPPER RETAINER LH

- a. Detach the clamp of the wire harness.
- b. Detach the 2 clips and remove the rear bumper upper retainer.



13. REMOVE REAR BUMPER UPPER RETAINER RH

- a. Detach the 2 clips and remove the rear bumper upper retainer.

